

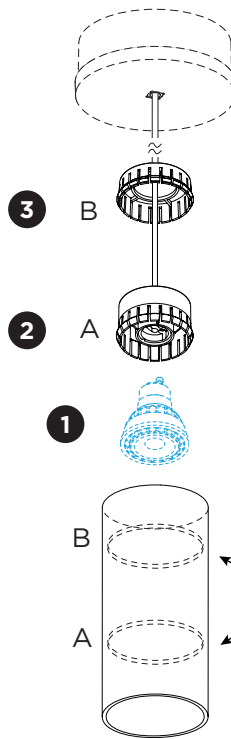
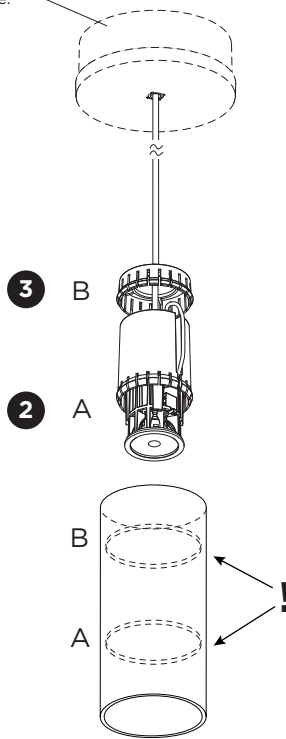
RAY SUSPENDED

INSTALLATION INSTRUCTIONS | MARCH 2023

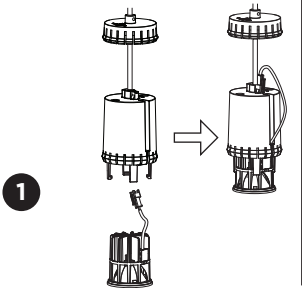
ceiling base (not included)
See separate installation
instruction of ceiling base.

LED

PAR16



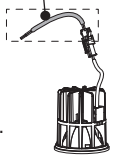
mount the LED module:



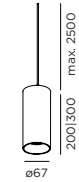
1

* For this product, the cable with a plug that comes with the LED module is not needed. Please remove it first and then use the LED module.

not needed (this notification refers to the part of the cable)



DIMENSIONS



MOUNTING INSTRUCTION

- 1 ONLY FOR LED: mount the LED module into the suspension set.
ONLY FOR PAR16: insert the lamp.
- 2 Insert part A until it clicks in the lower part of the cover.
- 3 Insert part B until it clicks in the higher part of the cover.

4 POWER CONNECTION

Connect to 220-240V



! Attention:
Make sure to apply the cover
in the correct direction.

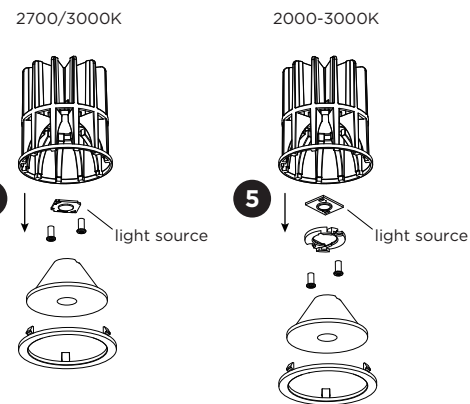
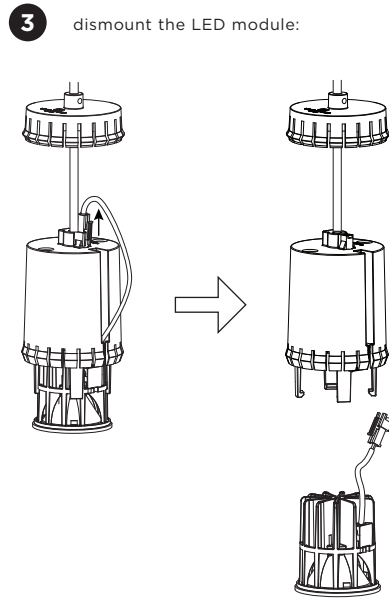
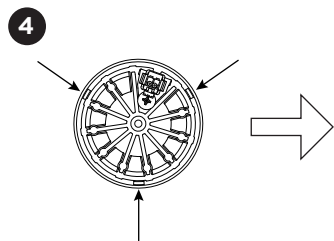
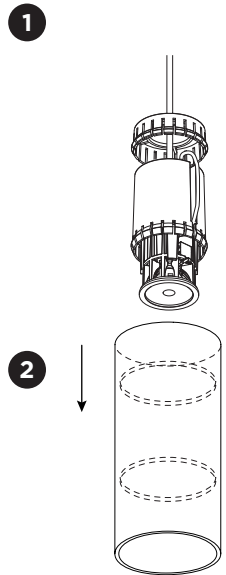


WEVER & DUCRÉ
LIGHTING

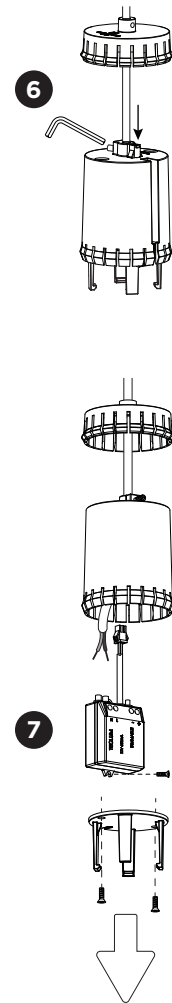
WEVER & DUCRÉ BV
Spinnerijstraat 99/21, 8500 Kortrijk, Belgium
weverducre.com

RAY SUSPENDED

INSTALLATION INSTRUCTIONS | MARCH 2023



dismount the driver:



DISMOUNTING AND RECYCLING INSTRUCTIONS

Light source & driver

- 1 Loosen the power connection.
- 2 Pull the cover down the suspension set.
- 3 Dismount the LED module.
- 4 Push at the three points to loosen the front ring.
- 5 Take out the lens and unscrew the holder or light source to remove the light source.
- 6 Release the strain relief screw and push the connector into the housing.
- 7 Dismount the bottom part by loosening the screws, unscrew the driver from the housing and disconnect the wires to remove it.



The light source is replaceable by an authorized professional.
For advice contact your Wever & Ducré customer service contact point.



The driver can be replaced by the end user.

This luminaire contains a light source with the corresponding energy class:

colour temperature	Energy class
2700K 3000K	
2000-3000K	