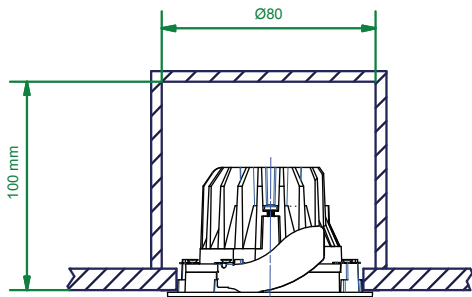
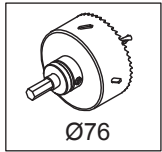
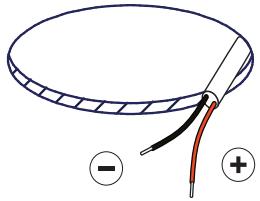


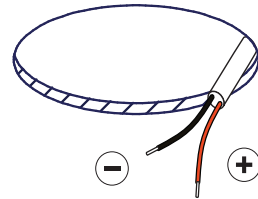
# Smart Cake 82 Adjustable LED Warm Dim GE

133231XX - 133232XX

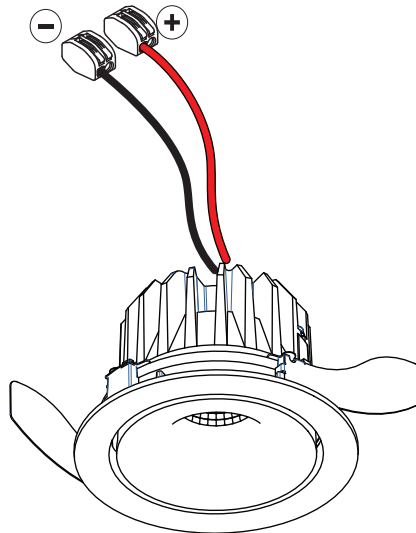
1



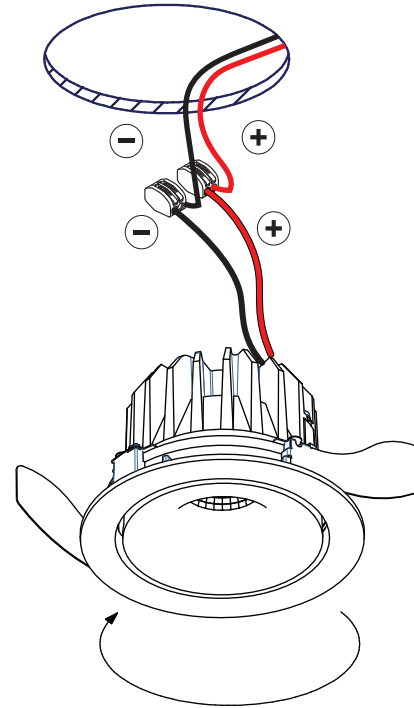
2



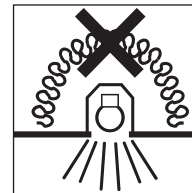
Drive Current (mA)	Forward Voltage		Power (W)
	min (Vf)	max (Vf)	
350	15,5	18,5	6
For serial connection, respect polarity!			
+ RED		- BLACK	



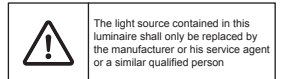
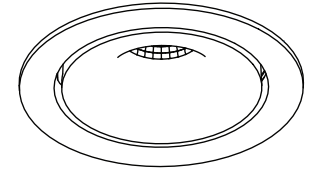
3



install : Twist clockwise  
uninstall : Twist counterclockwise



4



## CAN BE USED WITH

**Driver:**  
See driver matrix - latest version on website  
[www.supermodular.com](http://www.supermodular.com) or check sales contact

**Accessories:**  
See catalogue or website

