



De Meutter bv
Industriepark 14A Zone B
2220 Heist-op-den-Berg
BELGIUM

INPUT: 220-240V 50/60HZ CLASS I ⊕
LAMP-HOUSE: LED-32W 18001 m/19001 m
MATERIAL: ALUMINIUM



INSTALLATION INSTRUCTION

1. Before installing, make sure the power supply is switched off.
2. Follow the steps as the figure for installation or replacement of bulb

Step: A. after holing, pull out the wires.

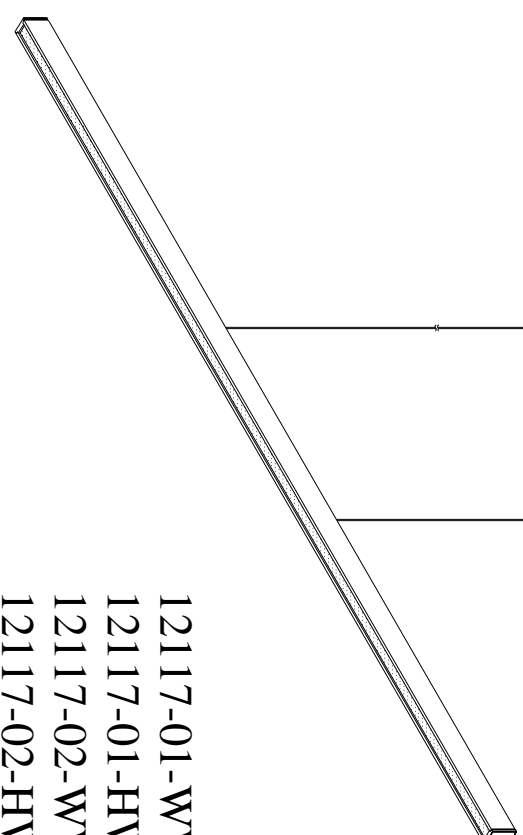
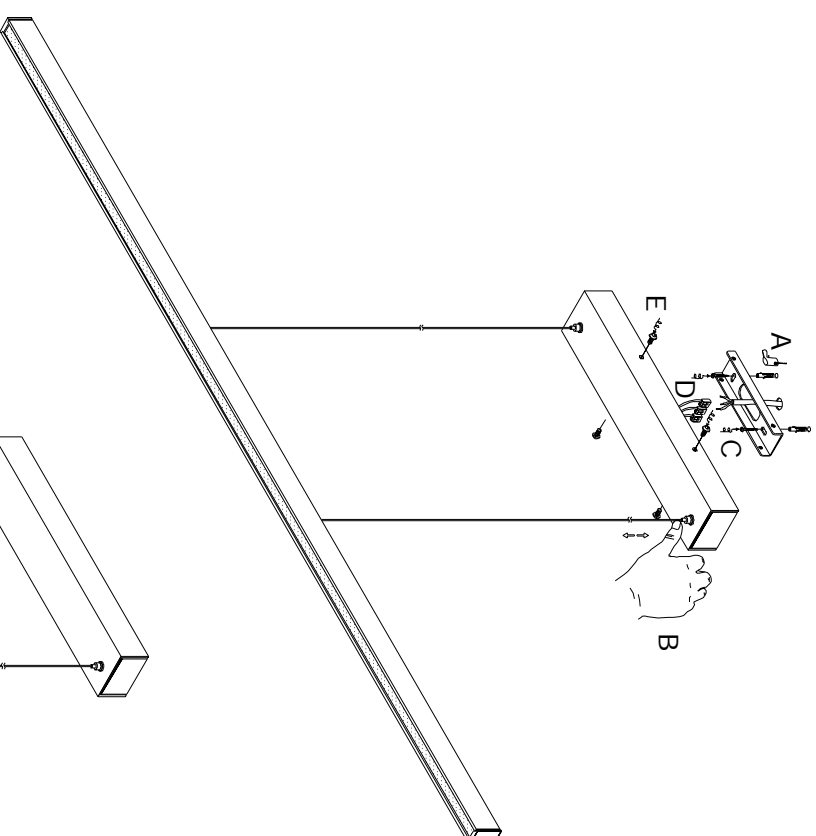
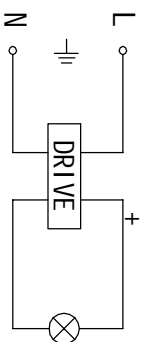
- B. Adjust wire to suitable place with cord grip.
- C. screw the bracket to the ceiling.
- D. connect the wires to the terminal block.
- E. screw the fixture to the bracket.
3. After finishing every step, have the fixture fixed, and then connect the power supply.

CLEANING INSTRUCTION

1. Before cleaning, ensure that the power supply is switched off.
2. Use only a soft cloth to clean the lamp, dampened with mild cleanser if needed for resistant dirt.
3. Warning: do not use alcohol or other solvents!

CAUTION:

In case of any doubt, please contact the qualified electrician.



12117-01-WW
12117-01-HW
12117-02-WW
12117-02-HW