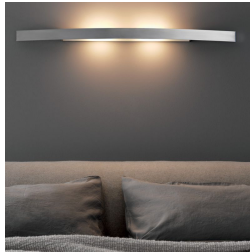


RIGA

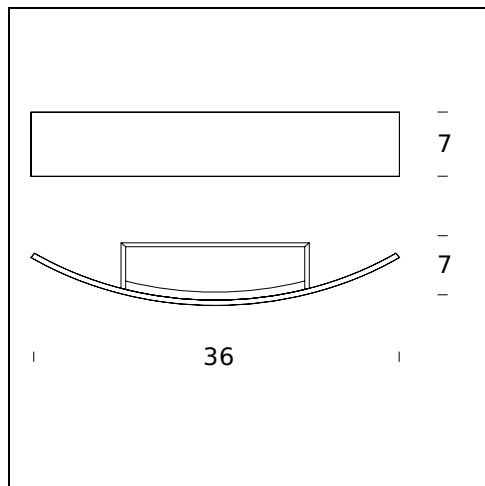
Paolo Zani, 1995

Wall lamp with linear essential design, comprising a structure in metal and diffusers in sandblasted tempered glass. Downlighting and uplighting.



TECHNICAL SHEET

Wall lamp. Frame in polished stainless steel, brushed nickel-plated metal or with antiglare, scratchproof finish in white. Tempered sandblasted glass diffusers.



MODEL NAME: Riga Halo

CODE: 5214..

DIMENSIONS: 36 x 7 x 7 cm

MATERIALS: Metal

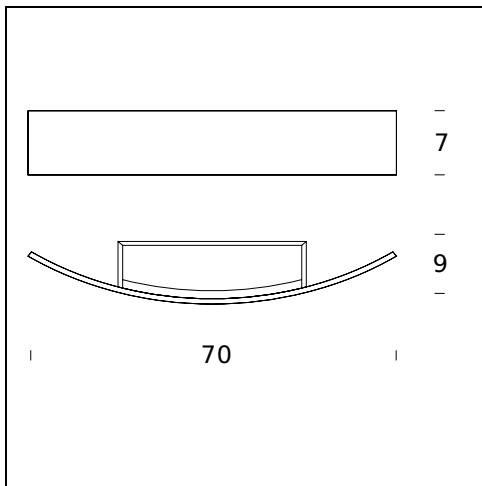
COLORS

- Satin Nickel-Plated
- Stainless Steel
- White - RAL Code: RAL 9010

BULB: 1x80W (HA) Eco Saver R7s/80

CERTIFICATIONS AND SYMBOLS:





MODEL NAME: Riga

CODE: 5214/1..

DIMENSIONS: 70 x 7 x 9 cm

MATERIALS: Metal

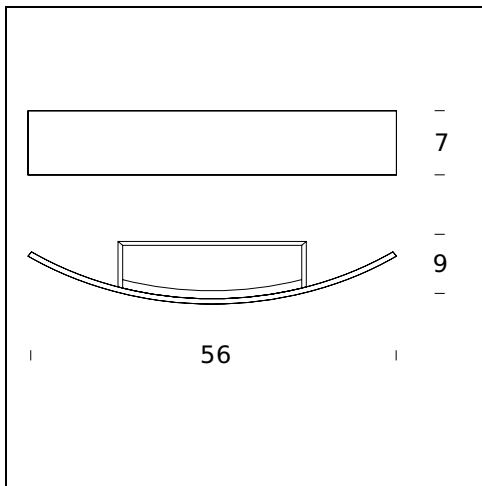
COLORS

- Satin Nickel-Plated
- Stainless Steel
- White - RAL Code: RAL 9010

BULB: 2x80W (HA) Eco Saver R7s/80

CERTIFICATIONS AND SYMBOLS:





MODEL NAME: Riga

CODE: 5398..

DIMENSIONS: 56 x 7 x 9 cm

MATERIALS: Metal

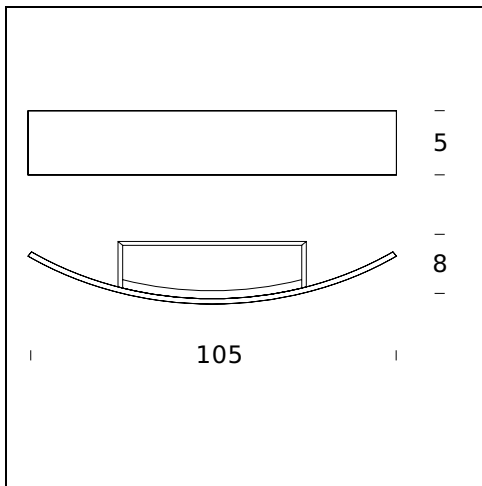
COLORS

- Satin Nickel-Plated
- Stainless Steel
- White - RAL Code: RAL 9010

BULB: 1x120W (HA) Eco Saver R7s/115

CERTIFICATIONS AND SYMBOLS:





MODEL NAME: Riga

CODE: 5406/1..

DIMENSIONS: 105 x 5 x 8 cm

MATERIALS: Metal

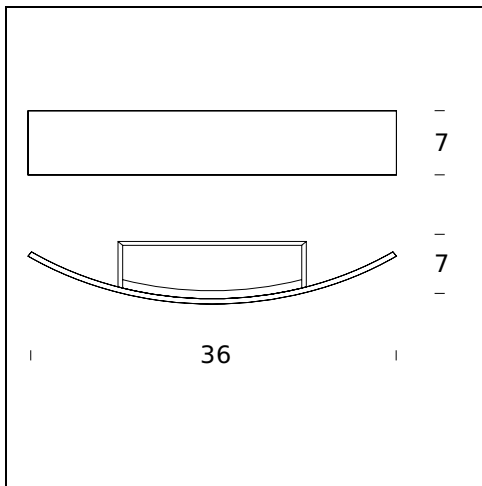
COLORS

- Satin Nickel-Plated
- Stainless Steel
- White - RAL Code: RAL 9010

BULB: 2x80W (HA) Eco Saver R7s/80

CERTIFICATIONS AND SYMBOLS:





MODEL NAME: Riga Led

CODE: 4281..

DIMENSIONS: 36 x 7 x 7 cm

MATERIALS: Metal

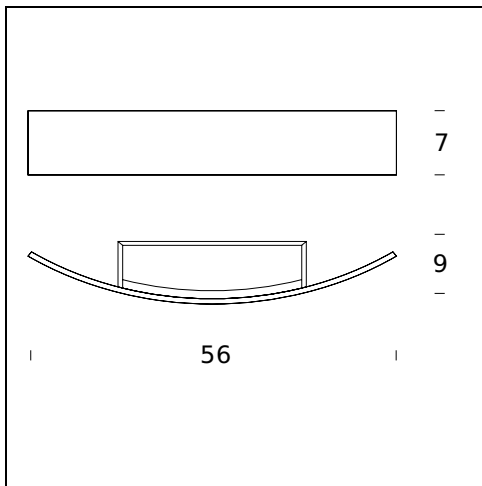
COLORS

- Satin Nickel-Plated
- Stainless Steel
- White - RAL Code: RAL 9010

BULB: 2x9W LED (3000K, CRI>80, 850+850 Lm)

CERTIFICATIONS AND SYMBOLS:





MODEL NAME: Riga Led

CODE: 4282..

DIMENSIONS: 56 x 7 x 9 cm

MATERIALS: Metal

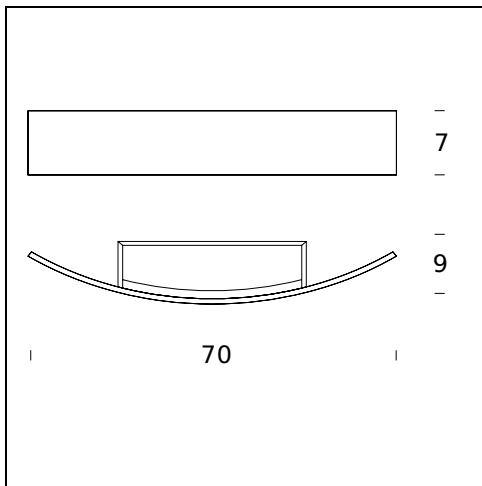
COLORS

- Satin Nickel-Plated
- Stainless Steel
- White - RAL Code: RAL 9010

BULB: 2x9W LED (3000K, CRI>80, 850+850 Lm)

CERTIFICATIONS AND SYMBOLS:





MODEL NAME: Riga Led

CODE: 4283..

DIMENSIONS: 70 x 7 x 9 cm

MATERIALS: Metal

COLORS

- Satin Nickel-Plated
- Stainless Steel
- White - RAL Code: RAL 9010

BULB: 2x9,5W LED (3000K, CRI>80, 910+910 Lm)

CERTIFICATIONS AND SYMBOLS:



Subject to technical modifications and modifications to content