

# RAY

12-Aug.-2016

## 1.0 LED

**LED** 8W | 220-240VAC | 50-60Hz | COB 2-step | incl. PS | phase-cut dim

CE IP20  $\varnothing 0.3m$   $\lambda 36^\circ$

white texture	146764W
aluminium brushed	146764L
gold	146764G
bronze	146764Q
copper	146764P
black texture	146764B

### LIGHT COLOUR

2700K   >80CRI   480lm	2
3000K   >80CRI   480lm	4
1800-2850K   >90CRI   410lm	9

## 1.0 PAR16

PAR16 max. 35W | GU10 | 220-240VAC | 50-60Hz

CE IP20  $\varnothing 0.9m$

white texture	146720W0
aluminium brushed	146720L0
gold	146720G0
bronze	146720Q0
copper	146720P0
black texture	146720B0

### OPTIONAL

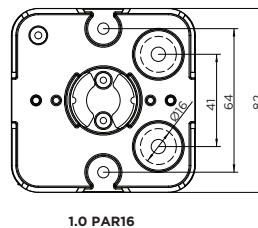
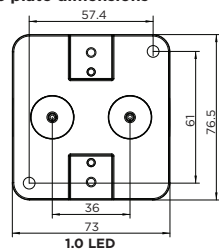
for PAR16 lamps see our catalogue

### OPTIONAL

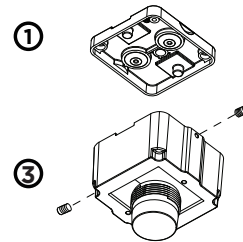
inner cover max. 10W

white texture	911041W1
gold	911041G1
black texture	911041B1

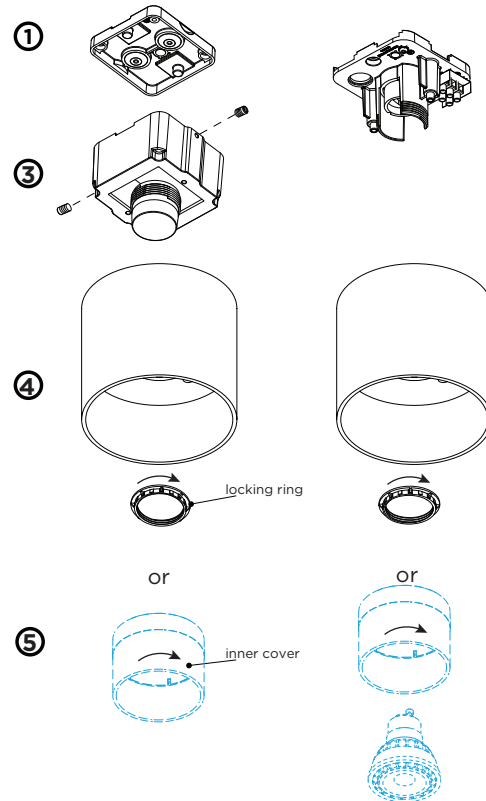
### base plate dimensions



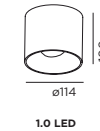
### 1.0 LED



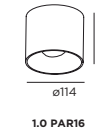
### 1.0 PAR16



## DIMENSIONS



1.0 LED



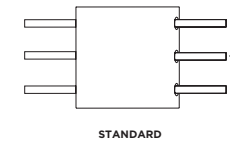
1.0 PAR16

## 1 MOUNTING INSTRUCTION

Remove the screws of the top part, put the cables through the opening and mount the base on the ceiling.

## 2 POWER CONNECTION

Connect wiring to the power supply (for LED) or to terminal block (for PAR16) interior connection: STANDARD version



STANDARD

## 3 FOR LED

Attach the LED housing on the base by two socket screws.

## 4 FOR LED

Attach the box cover to the LED housing by screwing the locking ring

## FOR PAR16

Attach the box cover to the base by screwing the locking ring

## 5 OPTIONAL inner cover

put the inner cover in the outer cover by screwing. with inner cover: **max. 10W**



WEVER & DUCRÉ  
LIGHTING

www.weverducre.com

Wever & Ducre bvba Kwadestraat 153 bus 2.1 8800 Roeselare

INSTALLATION  
INSTRUCTIONS

PAGE 1/2

# RAY

12-Aug.-2016

## 1.0 LED

**LED** 8W | 220-240VAC | 50-60Hz | COB 2-step | incl. PS | phase-cut dim

CE IP65  $\Delta$ 0.3m  $\Delta$ 36°

white texture	735364W_
dark grey texture	735364D_
black texture	735364B_

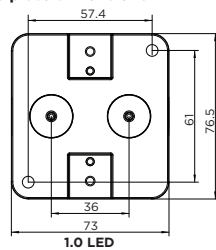
### LIGHT COLOUR

3000K   >80CRI   480lm	4
1800-2850K   >90CRI   410lm	9

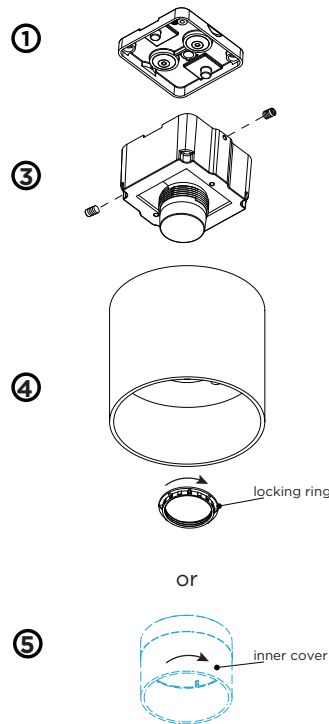
### OPTIONAL

inner cover max. 10W	
white texture	911041W1
dark grey texture	911041D1
black texture	911041B1

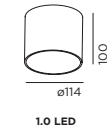
### base plate dimensions



## 1.0 LED



## DIMENSIONS

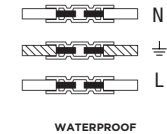


### 1 MOUNTING INSTRUCTION

Remove the screws of the top part, put the cables through the opening and mount the base on the ceiling.

### 2 POWER CONNECTION

Connect wiring to the power supply  
exterior connection: WATERPROOF version (only for LED)



3 Attach the LED housing on the base by two socket screws.

4 Attach the box cover to the LED housing by screwing the locking ring

5 **OPTIONAL inner cover**  
put the inner cover in the outer cover by screwing.  
with inner cover: **max. 10W**



**WEVER & DUCRÉ**  
LIGHTING

[www.weverducre.com](http://www.weverducre.com)

Wever & Ducre bvba Kwadestraat 153 bus 2.1 8800 Roeselare

**INSTALLATION  
INSTRUCTIONS**

PAGE 2/2