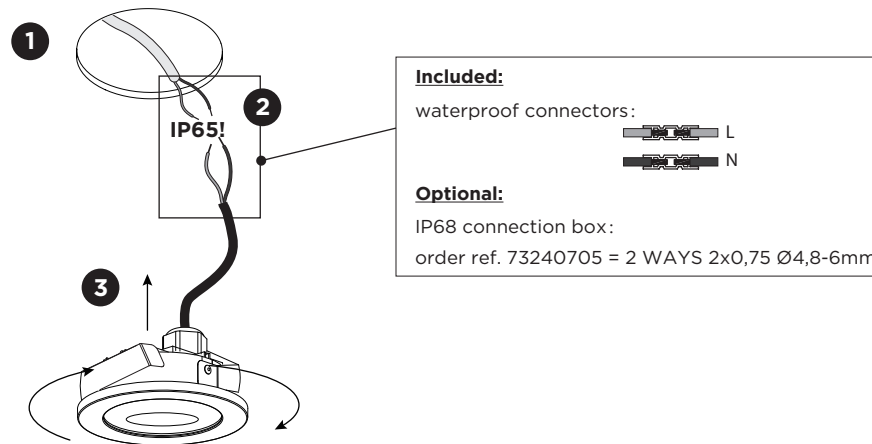


# INTRA

INSTALLATION INSTRUCTIONS | MAY 2022

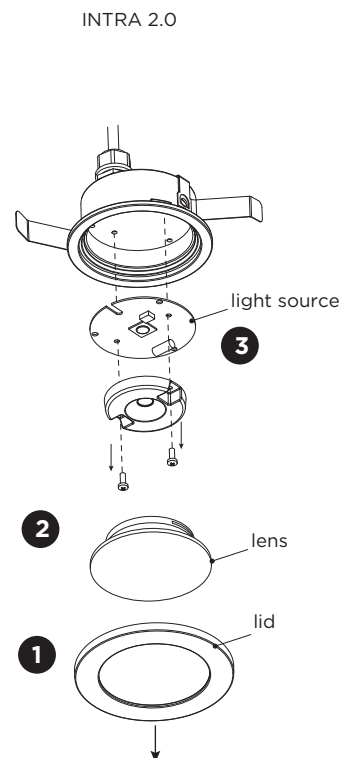
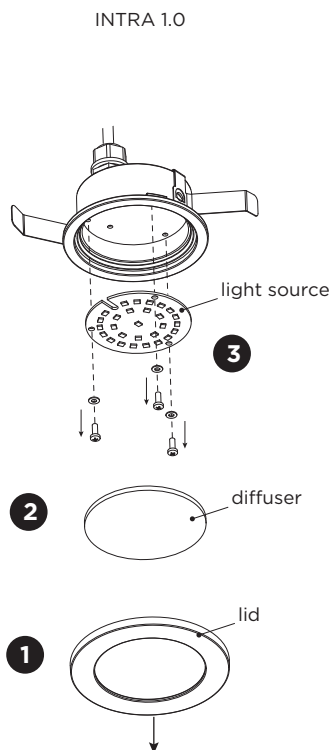
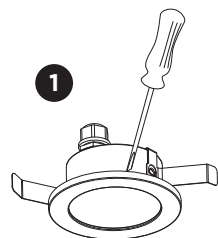


## DIMENSIONS



## MOUNTING INSTRUCTION

- 1** Make a hole in the ceiling according to the prescribed dimensions.
- 2 POWER CONNECTION**  
Connect to 220-240V.  
Make sure to use a waterproof connection with the same IP rating as the luminaire.
- 3** Push the springs towards the luminaire and insert the fixture in the hole.

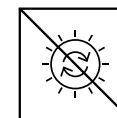


## DISMOUNTING INSTRUCTIONS

### Light source

- 1 Forced remove the lid using any available tools.
- 2 Remove the diffuser/lens.
- 3 Remove the screws, disconnect the wires and take out the light source.

The light source is not replaceable.



This luminaire contains a light source with the energy class F.

