

# FLOS



F7542054 Anodized Aluminium

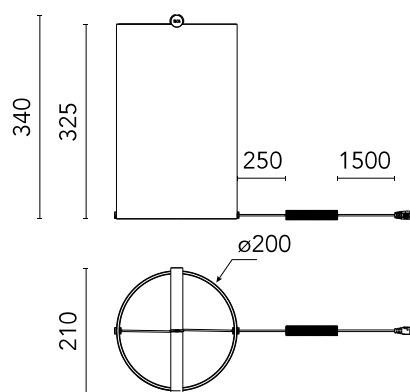
## To-Tie T2 NEW

Designed by Guglielmo Poletti, 2022

7W - 336lm - 2700K - CRI> 90



Designed by Guglielmo Poletti Table lamp providing diffused light. Clear glass cylindrical lamp body available in multiple sizes. The handle is made of aluminum and also acts as a light emitter. Multi-led diffuser in specially designed white polycarbonate to avoid the Multi Shadow effect and dazzle. High efficiency LED source with a lifetime of more than 50.000 hours. Electric cable of useful length 180 cm, covered in black fabric and equipped with dimmer switch for ON/OFF and adjustment of the light flow between 10-100%. Plug-in power supply with interchangeable plugs. To-Tie is a future-proof lamp as no glue is used to assemble its different parts. The product can therefore be separated, replaced individually, and recycled separately.



Are you a professional and your project needs consulting and support?

[BOOK AN APPOINTMENT](#)

### Main specifications

EAN	8059607047651
Mounting	Table
Environments	Indoor dry location
Light Source Type	LED
LED type	LED Module
Power (W)	7
System flux (lm)	336

### Physical

Colour	Anodized Aluminium
Length (mm)	210
Net weight (kg)	2.5
Package height (mm)	440
Package width (mm)	295
Package length (mm)	295
Package volume (m3)	0.04
IP internal	20
H2O stop	No

### Download

[Mounting instructions](#) PDF

### Photometric Files

[LDT / IES](#) ZIP

### Technical Drawings

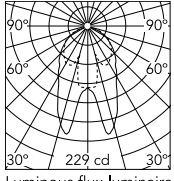
[2D](#) ZIP

[3D](#) ZIP



IP
20

## Schematic light drawing



## Photometric

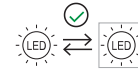
Lighting type	Direct
Light distribution	Asymmetric
CCT (K)	2700
CRI>	90

## Electrical

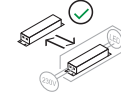
Insulation class	III
Frequency (Hz)	50/60
Main voltage (Vac)	24
LED voltage Vf (Vdc)	24.00
LED current (mA)	500
Driver	Remote included
Dimmable	Yes
Dimming type	Electronic 24V
Dimming interface	Dimmer Integrated
Plug type	Type G, Type A, Type C

## Ecodesign and Energy Labelling

This product contains a light source of energy efficiency class F



Replaceable (LED only) light source by an end-user

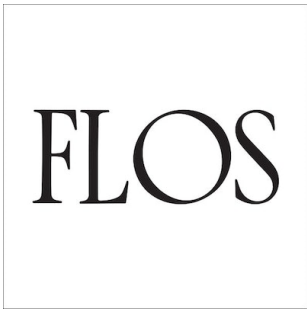


Replaceable control gear by an end-user

## Spare Parts



00.	Assembly Coaxial Connector	RF3390130
00.	Led Board with connectors for To-Tie T1-T2	RF7541200
01.	Black plug assembly kit & 24V driver	RF3320100
02.	Assembly Body for To-Tie T2 Anodized Aluminium	RF7542154
03.	Base for To-Tie T2	RF7542100



RF3390130

Assembly Coaxial Connector



RF7541200

Led Board with connectors for  
To-Tie T1-T2



RF3320100

Black plug assembly kit & 24V  
driver



RF7542154

Assembly Body for To-Tie T2  
Anodized Aluminium



RF7542100

Base for To-Tie T2