

Spiral Mini

Design by VERNER PANTON

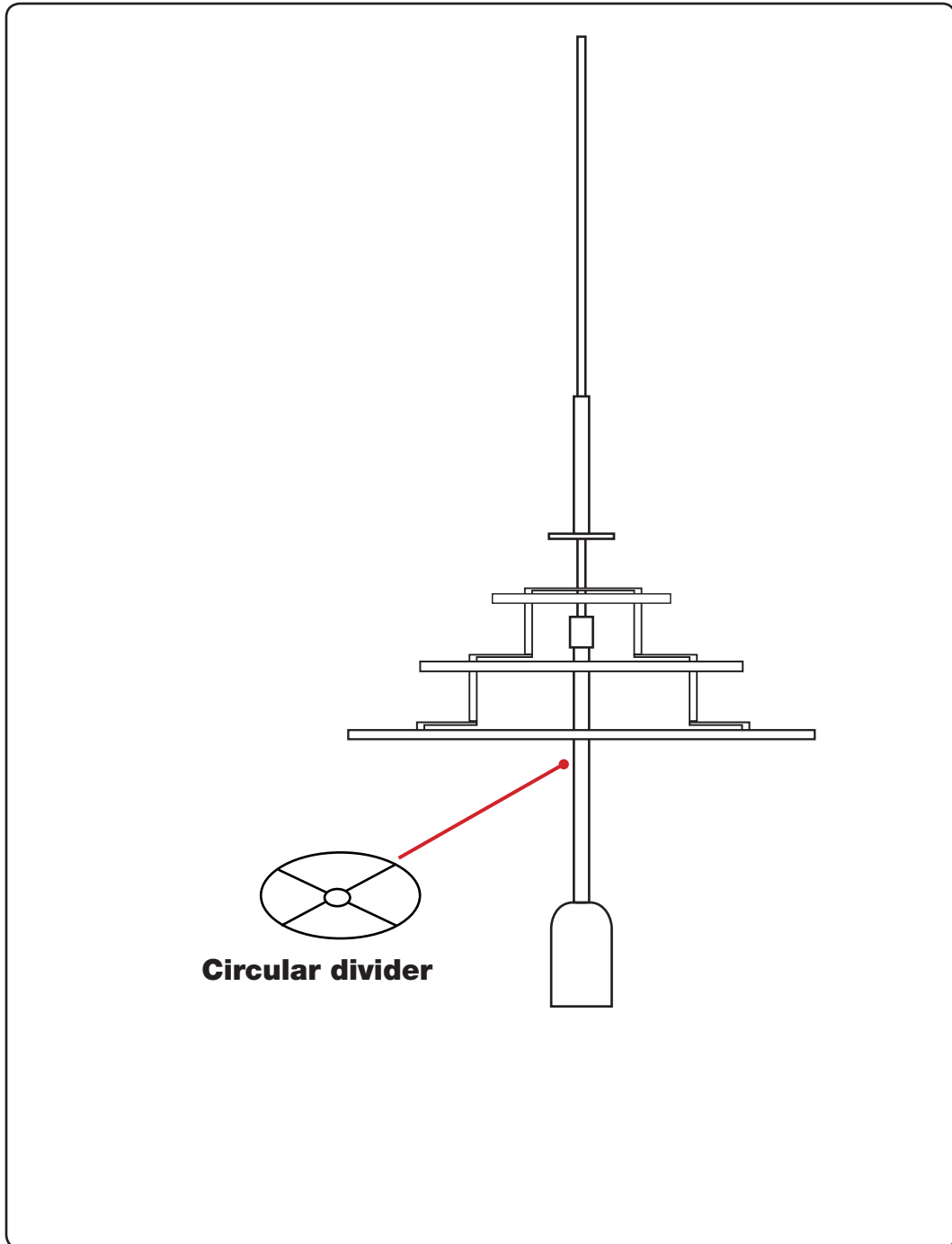
Please read thoroughly before assembly

IMPORTANT!

ALWAYS TURN OFF THE ELECTRICAL CURRENT BEFORE
INSTALLING ANY FIXTURE!

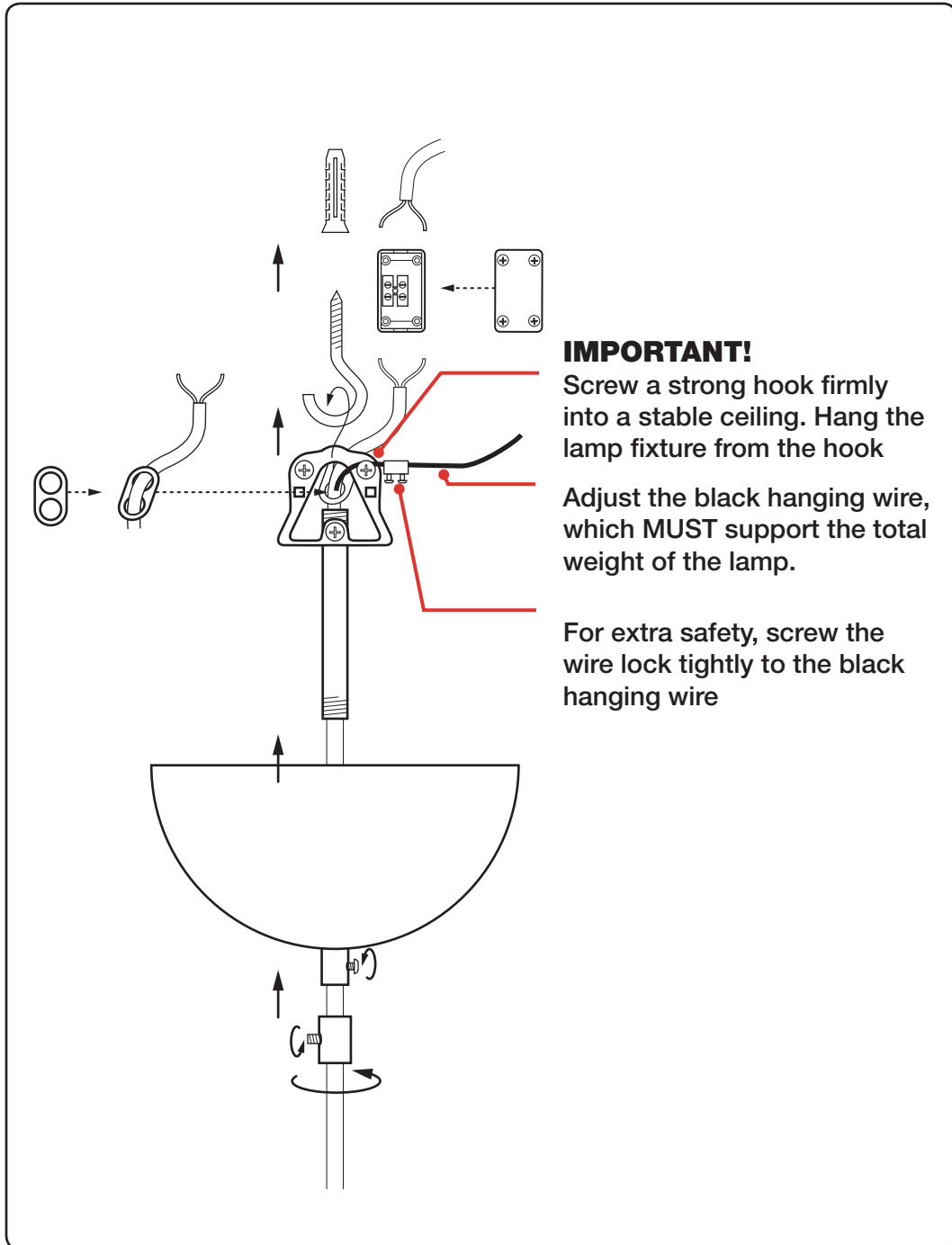
BE SURE THAT THE CEILING OUTLET BOX IS MOUNTED SO
THAT IT CAN CARRY THE WEIGHT OF THE ENTIRE LAMP!

THERE MUST BE NO WEIGHT ON THE ELECTRIC WIRES!

**IMPORTANT!**

Before mounting the acrylic spirals and the ceiling canopy remember to place the circular divider on the metal tube. It is important to use the circular divider to obtain distance between the spirals and the bulb.

When the circular divider has been mounted you are ready to mount the lamp onto the ceiling. See drawing no. 2.

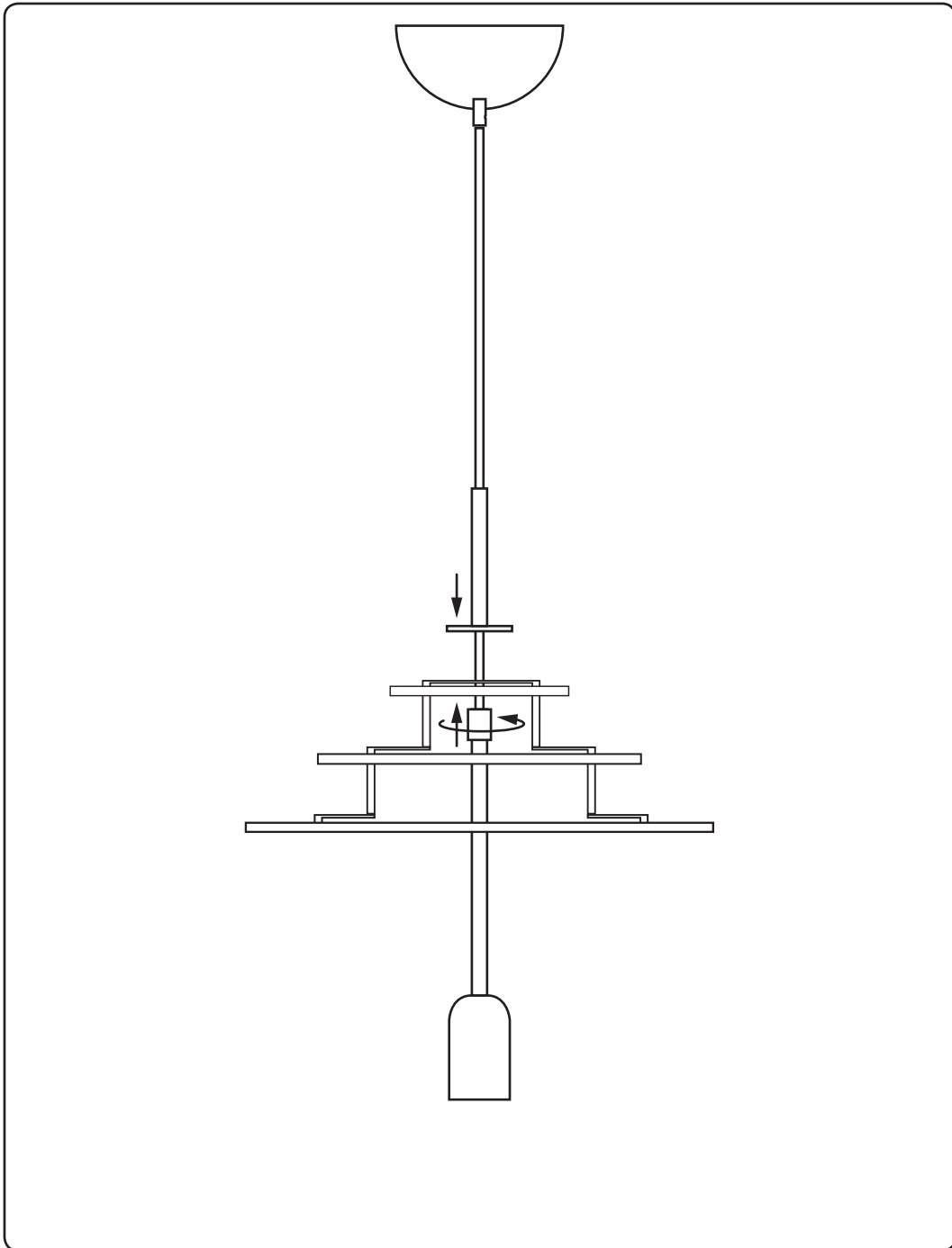


HANG THE TOP PART OF THE LAMP FROM THE CEILING

THE LAMP MUST HANG FROM THE BLACK HANGING WIRE,
NOT THE ELECTRIC WIRE!

THERE MUST BE NO WEIGHT ON THE ELECTRIC WIRES!

3

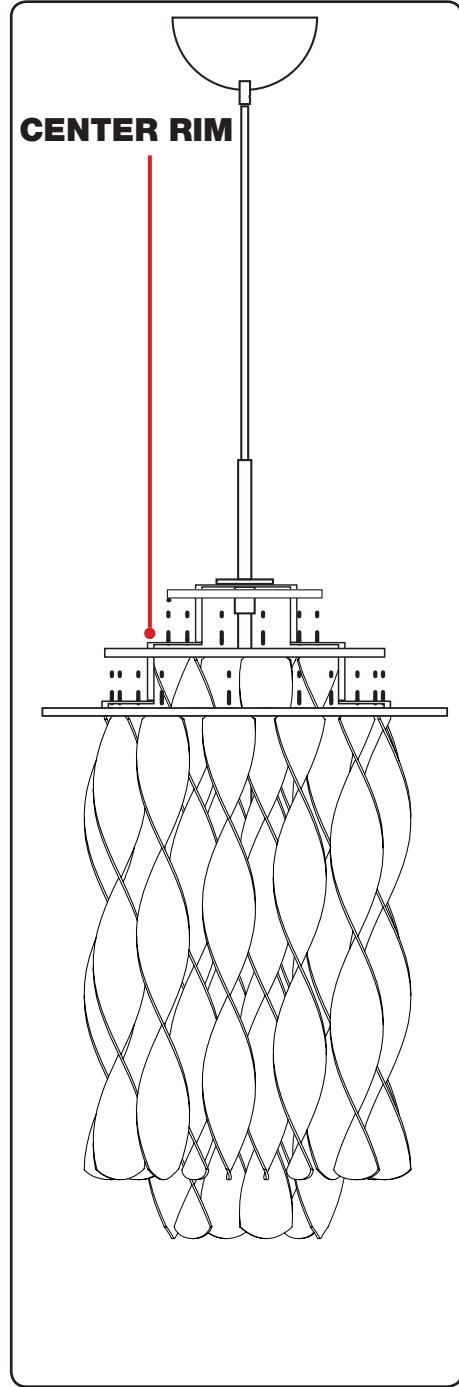
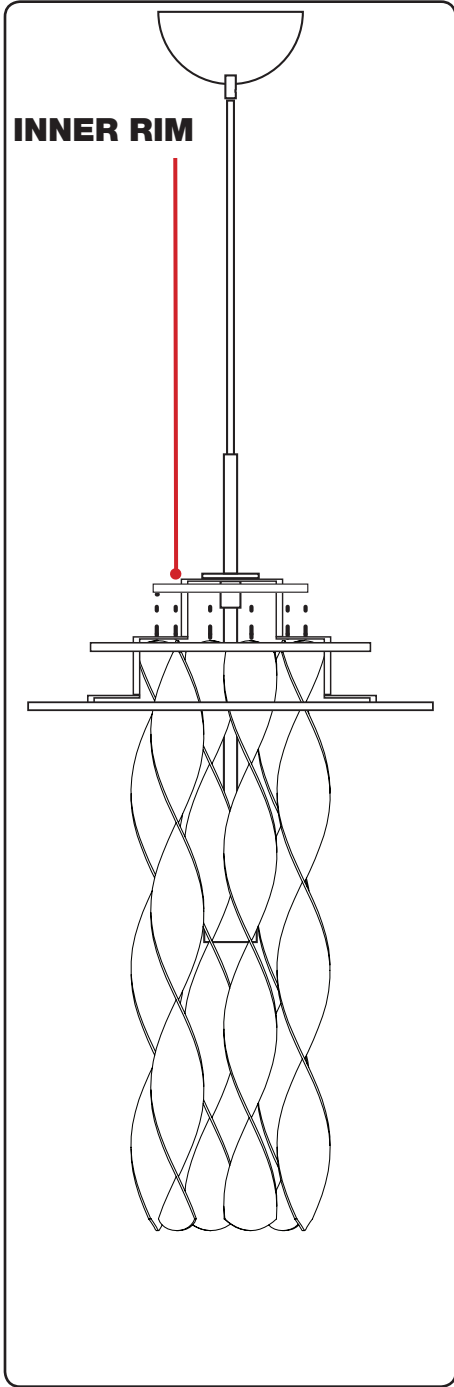


MOUNTING THE METAL FRAME

After you have mounted the ceiling canopy to the ceiling please mount the metal frame together with the cord (incl. socket).

Screw the metal tubes firmly together!

Now you are ready to hang the plates at the metal frame.

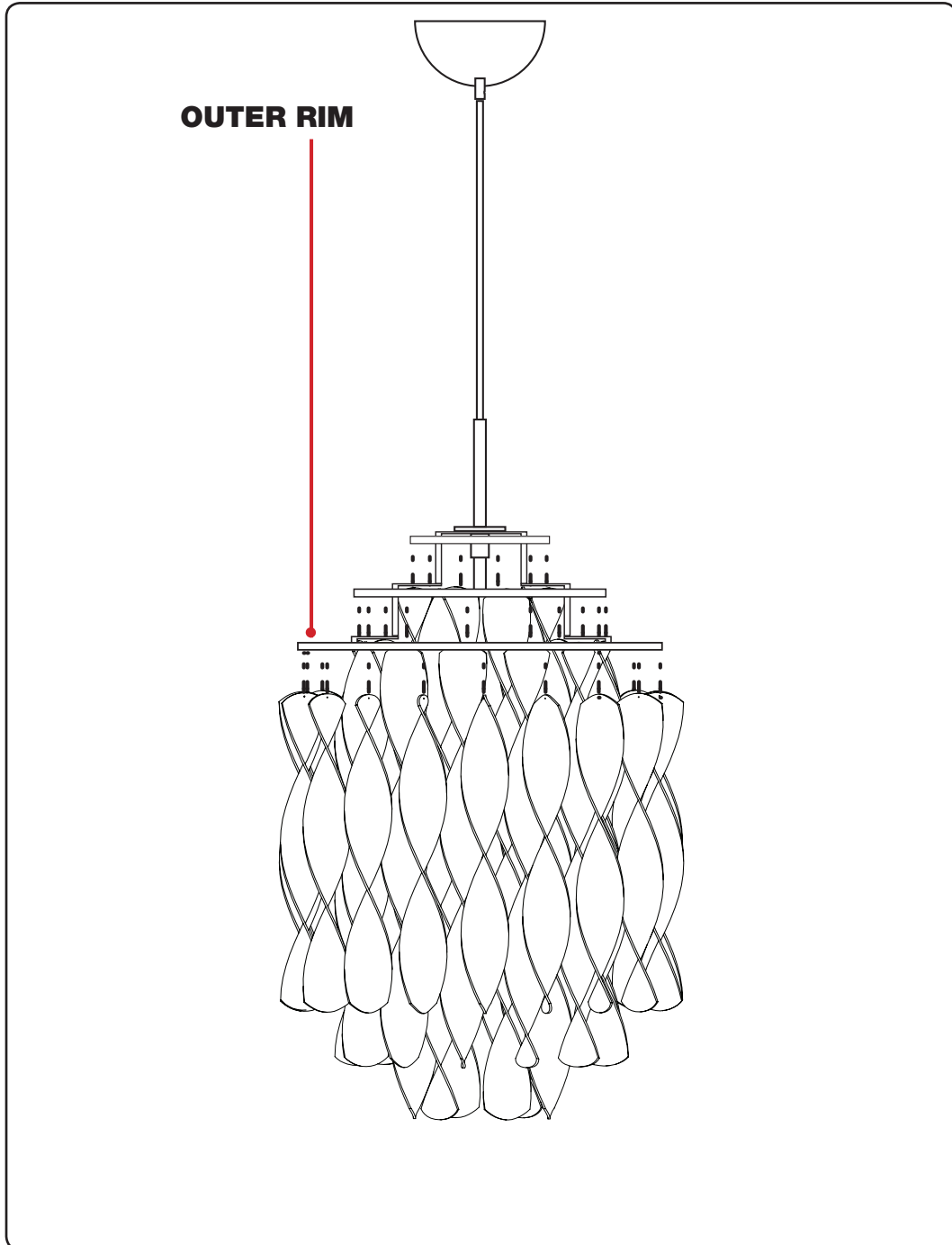


INNER RIM

Mount the spirals
measuring 50 cm / 19.7"
(6 pcs.)

CENTER RIM

Mount the spirals
measuring 40 cm / 15.7"
(12 pcs.)

**OUTER RIM:**

Mount the spirals measuring 30 cm / 11.8" (18 pcs.).

HOW TO CLEAN:

Clean with a soft cloth, warm water and a mild detergent.
Do NOT use any abrasive materials.

DESIGNED
IN THE PAST
MADE FOR
TOMORROW

VERPAN ApS
Egeskovvej 29
8700 Horsens
Denmark

www.verpan.com

info@verpan.com