

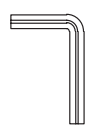
# Hive

*Design by* VERNER PANTON

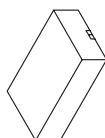
*Please read thoroughly before assembly*

**IMPORTANT!**

ALWAYS TURN OFF THE ELECTRICAL CURRENT BEFORE INSTALLING ANY FIXTURE!



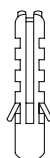
x1



x1



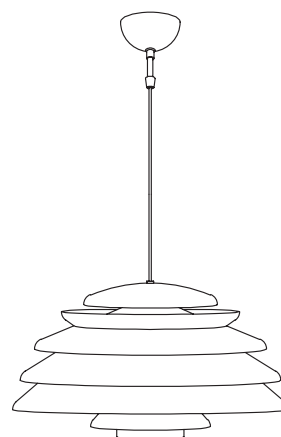
x1



x1



x1



x1

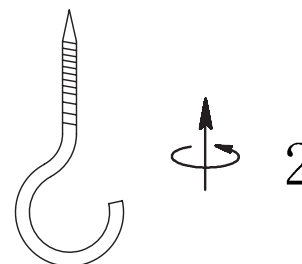
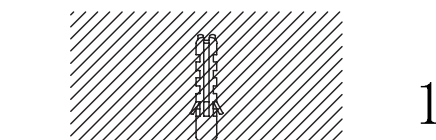
**HOW TO CLEAN:**

CLEAN WITH A SOFT CLOTH, WARM WATER AND A MILD DETERGENT. DO NOT USE ANY ABRASIVE MATERIALS.

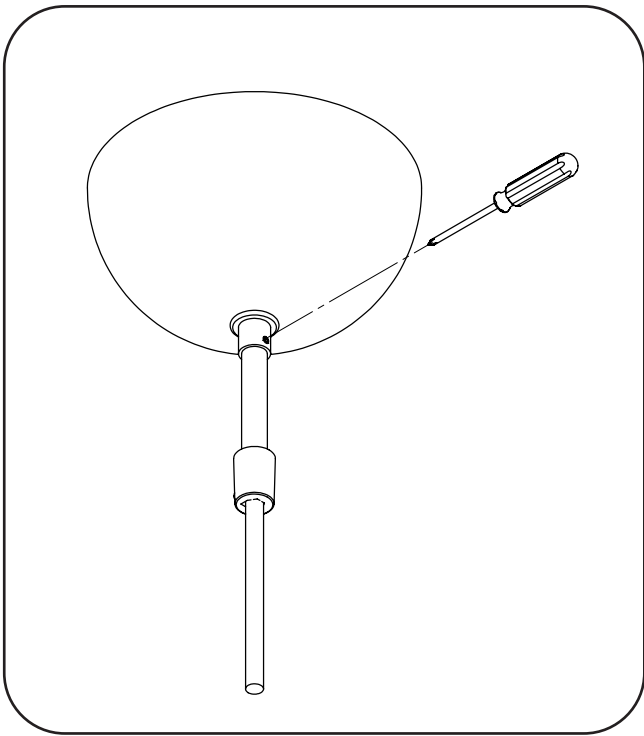
**IMPORTANT**

IF THE EXTERNAL FLEXIBLE CABLE OR CORD OF THIS LAMP IS DAMAGED, IT SHALL BE EXCLUSIVELY REPLACED BY THE MANUFACTURER OR HIS SERVICE AGENT OR A SIMILAR QUALIFIED PERSON IN ORDER TO AVOID A HAZARD.

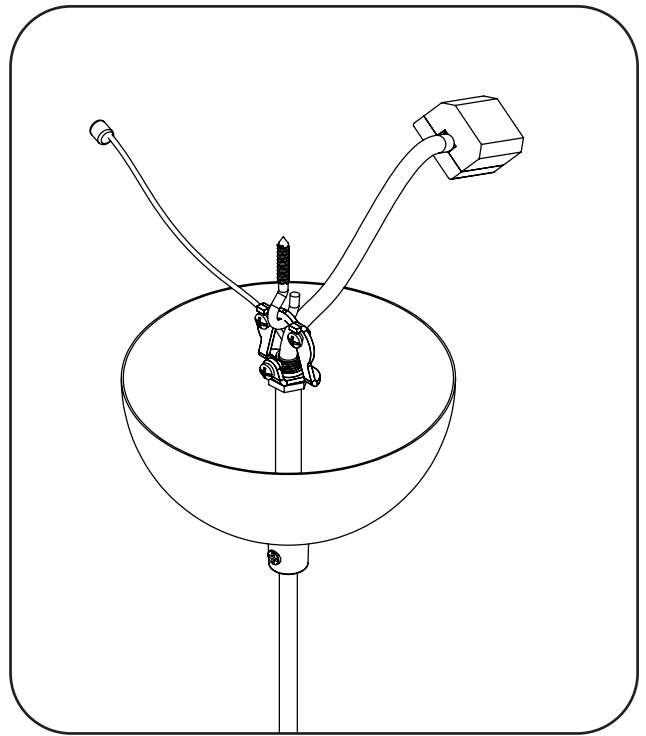
1



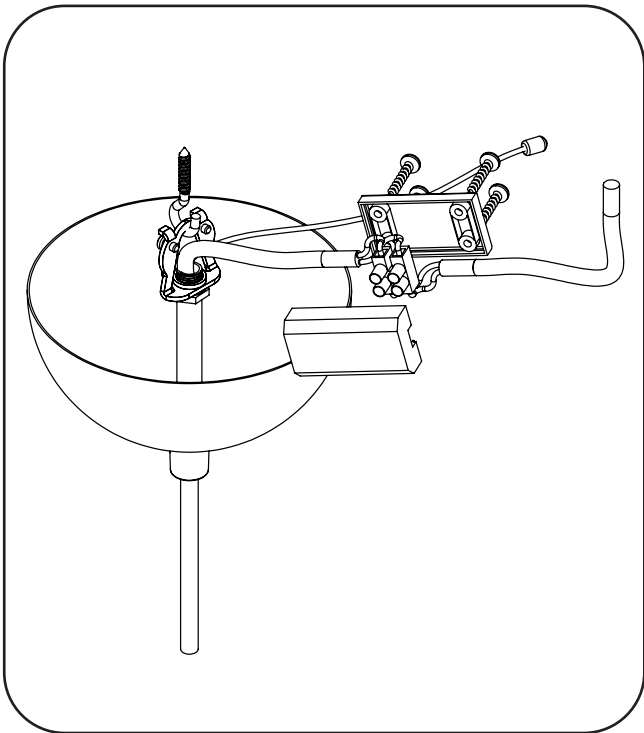
2



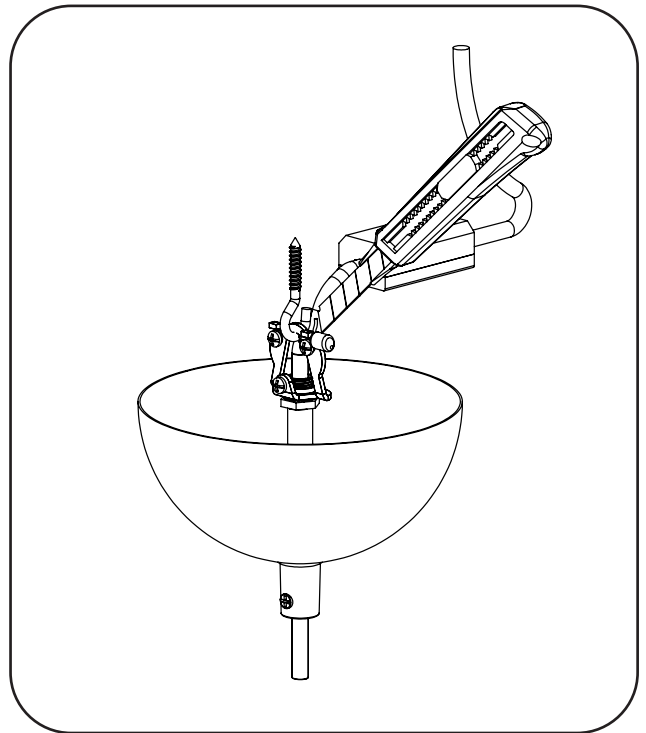
3



4



5

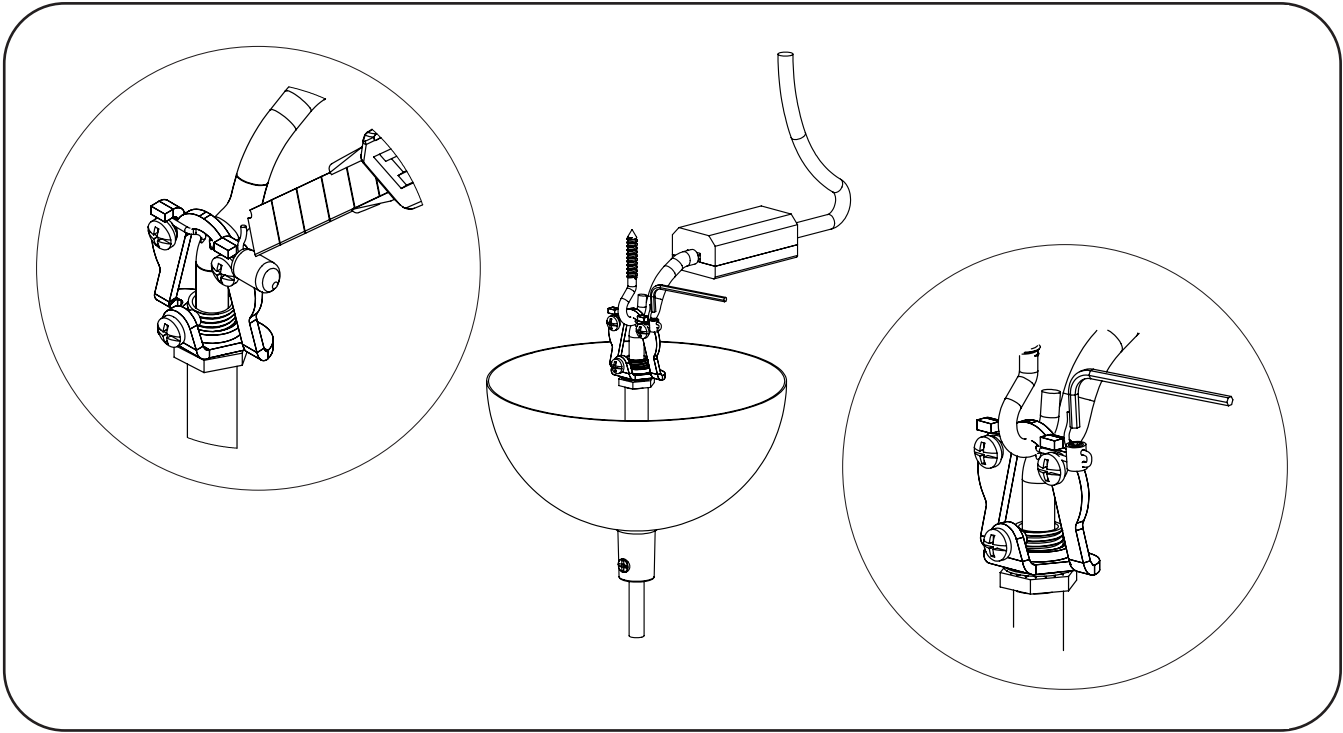


IF YOU WANT TO SHORTEN THE CORD REMOVE THE TAPE THAT IS ATTACHED AROUND THE CORD. YOU CAN ADVANTAGEOUSLY USE A STANLEY KNIFE. DO NOT REUSE THE TAPE WHEN REMOVED.

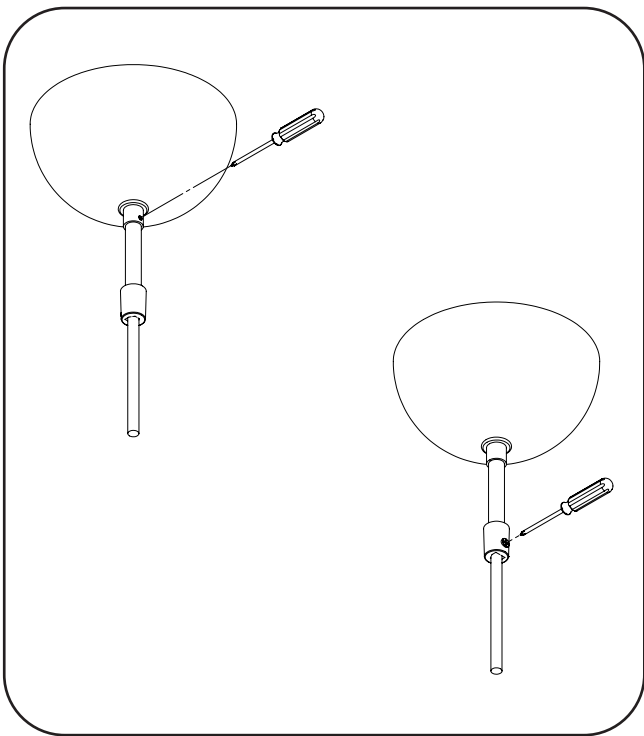
**ONLY IF CORD IS SHORTENED!**

REMEMBER TO SECURE THE WIRE LOCK AGAIN WITH THE ENCLOSED UMBRACO. **THE LAMP MUST HANG IN THE WIRE - NOT THE CORD!**

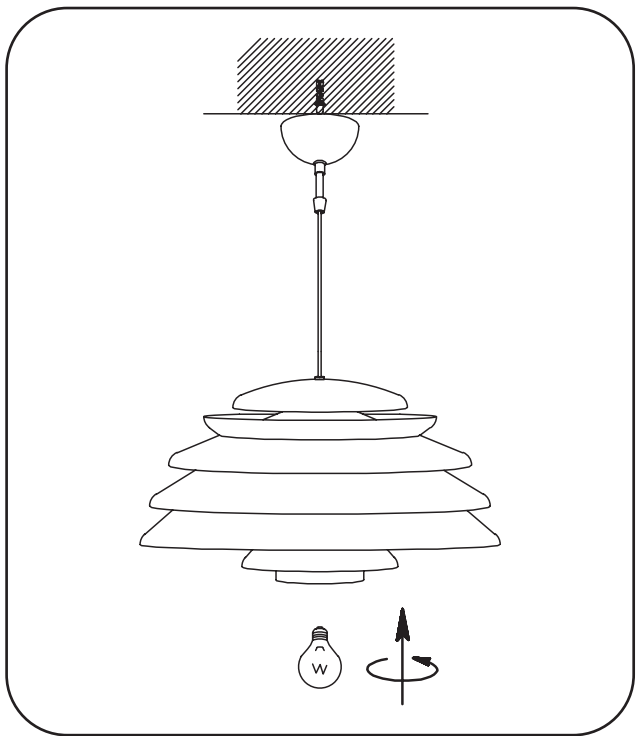
6



7



8



VERPAN ApS  
Egeskovvej 29  
DK-8700 Horsens  
[www.verpan.com](http://www.verpan.com)  
[info@verpan.com](mailto:info@verpan.com)