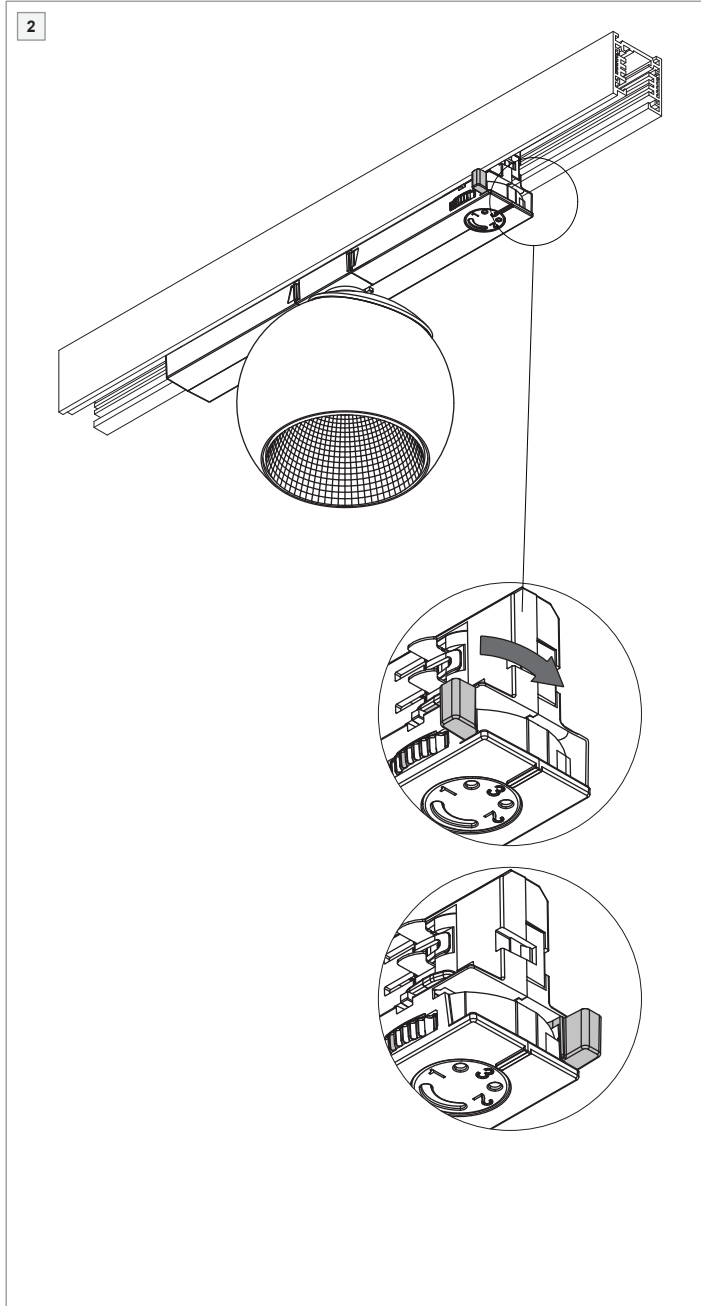
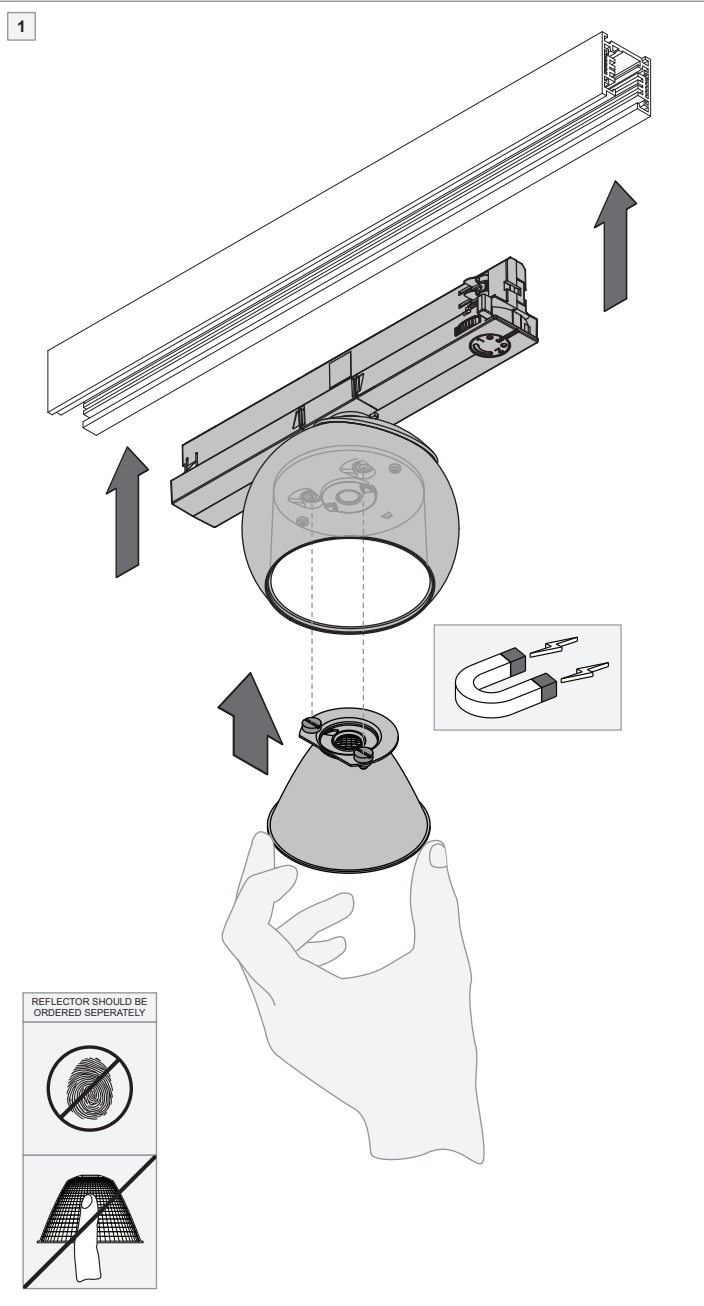


Marbul track LED Casambi GI

135006XX_135007XX_135008XX



3

CHOOSE PHASE

COMPATIBLE TRACKS	
Eutrac	25-XX-XX / 26-XX-XX iGuzzini
iGuzzini	6771-6774
iGuzzini	6779-6782
Ivela	7501 / 7511 / 7512
Lumisys Unipro	T32 / T33 /34
Lumisys Unipro	T32F / T33F /34F
Nordic Aluminium	GLOBAL Trac Pro XTS 4xxx
Nordic Aluminium	GLOBAL Trac Pro XTSF 4xxx
Zumtobel	S280...
Erco	783...
Side	25101
Philips	RCS350 3C
Fosnova	OMNITRACK
Stucchi	ONETRACK
Powergear	PRO-0610
Unipro	T32W
Unipro	T32FW

ON MBC 16A: MAX 64 FIXTURES

CASAMBI
www.casambi.com

Connect fixture to a Casambi network by using the Casambi App which can be downloaded from iOS App Store or Google Play Store.

Surrounding materials, obstructions (walls, concrete, metal,...) and other wireless signals can have a negative influence on the casambi wireless signal range. Always check on site circumstances for optimal signal quality.

LIGHT SOURCE - DO NOT TOUCH LED

Touching the LED can result in permanent damage of the light source. The light source contained in this luminaire shall only be replaced by the manufacturer or his service agent or a similar qualified person.

PREVENTING ELECTROSTATIC DAMAGE

A discharge of static electricity may damage sensitive components. Always be properly grounded when touching leads or circuitry inside the luminaire. Use a wrist strap connected by a ground cord to the housing. Avoid touching the light sources with bare hands.