

SQUBE #3 ON BASE

30-Apr.-2018

#3 PAR16

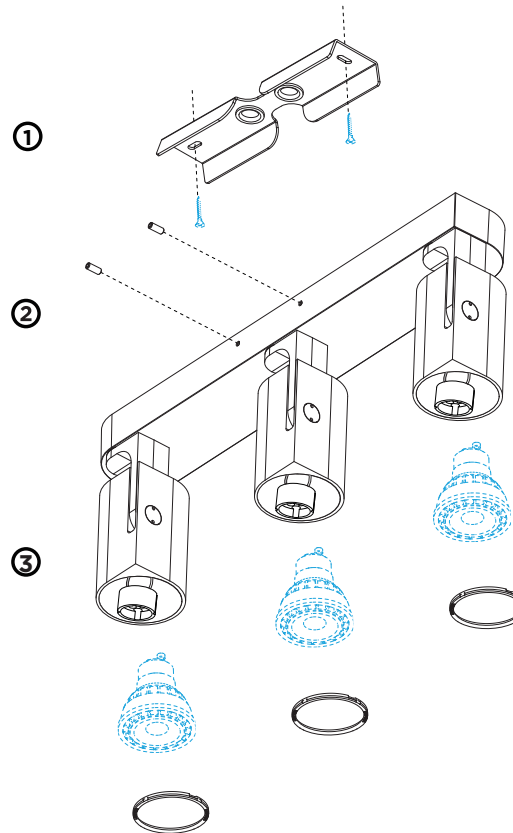
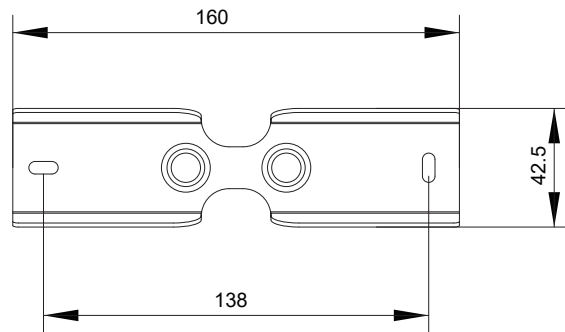
3xPAR16 max. 12W | GU10 | 100-240VAC | 50-60Hz
 CE IP20 0,9m 90° 355°

white texture
 black texture

144620W0
 144620B0

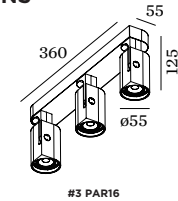
OPTIONAL
 for PAR16 lamps see our catalogue

base plate dimensions



If the installation conditions allow, in order to have a better appearance, we suggest that the side including two allen screws is facing backwards.

DIMENSIONS

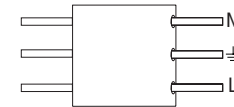


MOUNTING INSTRUCTION

- 1 Remove the screws, put the cables through the opening and mount the base on the ceiling.

POWER CONNECTION

- 2 Interior: connection: STANDARD version



Mount the fixture again with the screws on the base.

- 3 Mount the lamp.