

# DEEP ASYM

06-07-2015

## 1.0 LED

**LED** 7/10W | 350-500mA | COB 3-step | excl. power supply  
 CE <math>\text{P}</math>20 <math>960^{\circ}\text{C}</math> <math>0,9\text{m}</math> <math>35^{\circ}/35^{\circ}</math> <math>355^{\circ}</math>

white texture	112461W_
silver / grey	112461S_
gold	112461G_
black texture	112461B_

### LIGHT COLOUR

2200K   >80CRI   315-465lm   15Vf	1
2700K   >90CRI   420-590lm   18Vf	3
3000K   >90CRI   470-640lm   18Vf	5

### ALWAYS USE

for power supplies see our catalogue

## 1.0 MR16

QR-CBC51 max. 50W | GU5.3 | 12V | excl. transformer  
 CE <math>\text{P}</math>20 <math>960^{\circ}\text{C}</math> <math>0,9\text{m}</math> <math>35^{\circ}/35^{\circ}</math> <math>355^{\circ}</math> DO NOT COVER

white texture	112410W0
silver / grey	112410S0
black texture	112410B0

### ALWAYS USE

for transformers see our catalogue

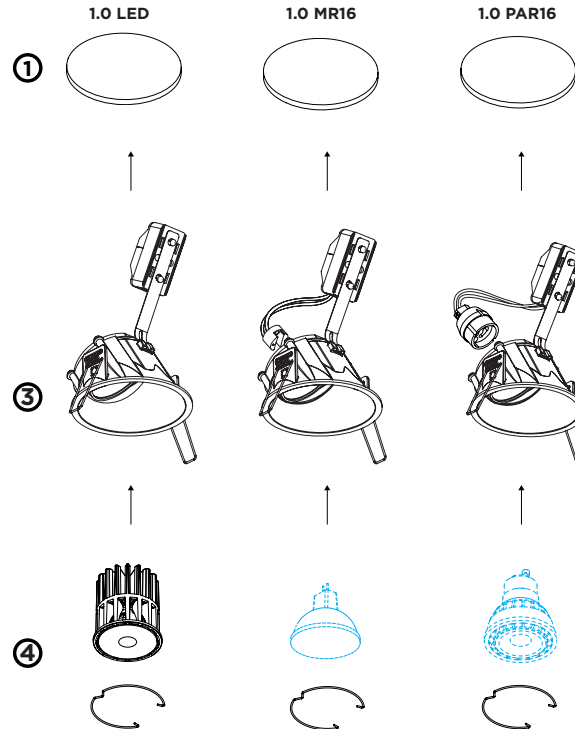
## 1.0 PAR16

PAR16 max. 50W | GU10 | 220-240VAC | 50-60Hz  
 CE <math>\text{P}</math>20 <math>960^{\circ}\text{C}</math> <math>0,9\text{m}</math> <math>35^{\circ}/35^{\circ}</math> <math>355^{\circ}</math> DO NOT COVER

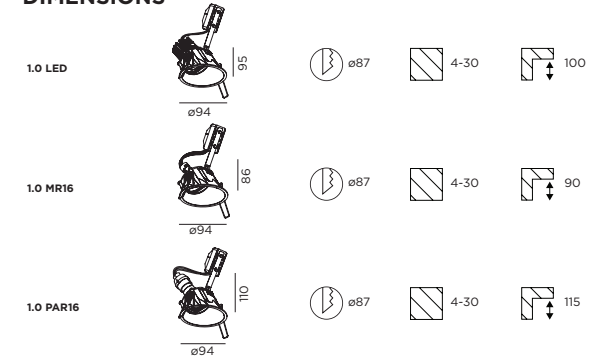
white texture	112420W0
silver / grey	112420S0
black texture	112420B0

### OPTIONAL

for PAR16 lamps see our catalogue



## DIMENSIONS



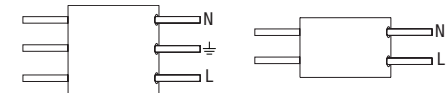
## MOUNTING INSTRUCTION

- 1 Make a hole in the ceiling according to the prescribed dimensions.

## POWER CONNECTION

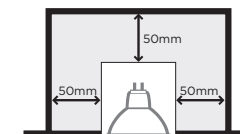
- 2 Connect the power supply.

Interior: STANDARD version  
 serial connection for LED



- 3 Insert the fixture in the hole
- 4 For MR16 | PAR16  
Place the lamp and fix with inner part of DEEP

## SAFETY DISTANCE FOR HALOGEN LAMPS



WEVER & DUCRÉ  
 LIGHTING

[www.weverducre.com](http://www.weverducre.com)

INSTALLATION  
 INSTRUCTIONS