

# GOODIES

JANUARY 2019 (V02)

## DRIVER MATRIX

NON DIMMABLE	2-4
MAINS	5-7
1-10V	8-10
DALI	11-13
PUSH	14-16

## DRIVER SPECIFICATIONS

CONSTANT CURRENT	17-32
CONSTANT CURRENT DEEP DIM	33
CONSTANT VOLTAGE 48V	34
CONSTANT VOLTAGE 24V	35-37

BACK-UP UNITS	39
---------------	----

NON-DIM		12403730		12400730		12403430	
		non dim		non dim		non dim	
Dimensions (LxWxH)		115x34x19		115x34x19		124x79x22	
min. cutout hole		40		40		84	
Max drivers on MCB 16A type B		27		27		15	
FIXTURE	mA	min	max	min	max	min	max
Chapeau 206 LED GE	350	1	1	-	-	1	2
	500	-	-	-	-	1	2
Duell recessed 1x LED GE	350	1	2	-	-	1	3
	500	-	-	1	1	1	3
Duell recessed 2x LED GE	350	1/2	1	-	-	1/2	1
	500	-	-	1/2	1/2	1/2	1
Hipy 110 IP67 LED GE	350	1	2	-	-	1	3
	500	-	-	1	1	1	3
Hipy 70 IP67 LED GE	350	1	4	-	-	1	7
Julien IP54 LED GE	350	1	3	-	-	1	5
K120 adjustable LED GE	350	1	1	-	-	1	2
	500	-	-	-	-	1	1
	700	-	-	-	-	1	1
K72 IP54 LED GE	350	1	2	-	-	1	3
	500	-	-	1	1	1	3
K77 adjustable LED GE	350	1	2	-	-	1	3
	500	-	-	1	1	1	3
Kurk IP40 LED GE	350	1	2	-	-	1	3
	500	-	-	1	1	1	3
	700	-	-	-	-	1	3
Kurk surface IP40 GE	350	1	2	-	-	1	3
	500	-	-	1	1	1	3
	700	-	-	-	-	1	3
Lotis 82 (concrete) LED GE	350	1	2	-	-	1	3
	500	-	-	1	1	1	3
Lotis 86 IP55 LED GE	350	1	2	-	-	1	3
	500	-	-	1	1	1	3
Lotis 97 (concrete) adjustable LED GE	350	1	2	-	-	1	3
	500	-	-	1	1	1	3
Lotis square (IP55) LED GE	350	1	2	-	-	1	3
	500	-	-	1	1	1	3
Marbul recessed 1x LED GE	350	1	1	-	-	1	2
	500	-	-	-	-	1	2
Marbul recessed 2x LED GE	350	1/2	1/2	-	-	1/2	1
	500	-	-	-	-	1/2	1
Marbul suspension (adjustable) GE	350	1	1	-	-	1	2
	500	-	-	-	-	1	2
Marcel 1x LED GE	350	1	1	-	-	1	2
	500	-	-	-	-	1	1
	700	-	-	-	-	1	1
Marcel 2x LED GE	350	1/2	1/2	-	-	1/2	1
	500	-	-	-	-	1/2	1/2
	700	-	-	-	-	1/2	1/2
Marcel 3x LED GE	350	1/3	1/3	-	-	1/3	1/2
	500	-	-	-	-	1/3	1/3
	700	-	-	-	-	1/3	1/3
Marty LED GE	350	1	14	-	-	1	23
	350	1	2	-	-	1	3
Médard 42 semi-recessed LED GE	500	-	-	1	1	1	3
	700	-	-	-	-	1	3
	350	-	-	-	-	-	-
Médard 42 semi-recessed warmdim LED GE	350	-	-	-	-	-	-
Médard 70 semi-recessed LED GE	350	1	1	-	-	1	2
	500	-	-	-	-	1	2
Médard 70 semi-recessed warmdim LED GE	350	-	-	-	-	-	-
Mini-multiple 1x LED GE	350	1	2	-	-	1	3
	500	-	-	1	1	1	3
Mini-multiple 2x LED GE	350	1/2	1	-	-	1/2	1
	500	-	-	1/2	1/2	1/2	1
Mini-multiple 3x LED GE	350	1/3	1/2	-	-	1/3	1
	500	-	-	1/3	1/3	1/3	1
Mini-multiple 4x LED GE	350	1/4	1/2	-	-	1/4	1/2
	500	-	-	1/4	1/4	1/4	1/2

■ DRIVER DOES NOT FIT THROUGH CUTOUT HOLE OF FIXTURE • 1/2 = REQUIRES 2 DRIVERS • 1/3 = REQUIRES 3 DRIVERS • 1/4 = REQUIRES 4 DRIVERS

NON-DIM		12403730		12400730		12403430	
		non dim		non dim		non dim	
Dimensions (LxWxH)		115x34x19		115x34x19		124x79x22	
min. cutout hole		40		40		84	
Max drivers on MCB 16A type B		27		27		15	
FIXTURE	mA	min	max	min	max	min	max
M-LED 50 GE	350	1	2	-	-	1	3
	500	-	-	1	1	1	3
M-LED 50 warmdim GE	350	-	-	-	-	-	-
	500	1	2	-	-	1	3
M-LED 70 GE	350	-	-	1	1	1	3
	500	-	-	-	-	-	-
M-LED 70 warmdim GE	350	1	1	-	-	1	2
	500	-	-	-	-	1	2
M-LED 111 GE	700	-	-	-	-	1	1
	350	1/2	1/2	-	-	1/2	1
	500	-	-	-	-	1/2	1
Nomad 111 2x LED GE	700	-	-	-	-	1/2	1/2
	350	1/4	1/4	-	-	1/4	1/2
	500	-	-	-	-	1/4	1/2
Nomad 111 4x LED GE	700	-	-	-	-	1/4	1/4
	350	1/2	1	-	-	1/2	1
	500	-	-	1/2	1/2	1/2	1
Nomad 70 2x LED GE	350	1/4	1/2	-	-	1/4	1/2
	500	-	-	1/4	1/4	1/4	1/2
Nomad 70 4x LED GE	350	1	4	-	-	1	7
	500	-	-	1	2	1	7
Qbini fix/adjustable 1x LED GE	350	1/2	2	-	-	1/2	3
	500	-	-	1/2	1	1/2	3
Qbini fix/adjustable 2x LED GE	350	1/3	1	-	-	1/3	2
	500	-	-	1/3	1/2	1/3	2
Qbini fix/adjustable 3x LED GE	350	1/4	1	-	-	1/4	1
	500	-	-	1/4	1/2	1/4	1
Qbini fix/adjustable 4x LED GE	350	1	4	-	-	1	7
	500	-	-	1	2	1	7
Qbini fix/adjustable trimless 1x LED GE	350	1/2	2	-	-	1/2	3
	500	-	-	1/2	1	1/2	3
Qbini fix/adjustable trimless 2x LED GE	350	1/3	1	-	-	1/3	2
	500	-	-	1/3	1/2	1/3	2
Qbini fix/adjustable trimless 3x LED GE	350	1/4	1	-	-	1/4	1
	500	-	-	1/4	1/2	1/4	1
Qbini fix/adjustable trimless 4x LED GE	350	-	-	-	-	-	-
	250	-	-	-	-	-	-
Qbini fix/adjustable trimless warmdim 1x LED GE	250	-	-	-	-	-	-
	250	-	-	-	-	-	-
Qbini fix/adjustable trimless warmdim 2x LED GE	250	-	-	-	-	-	-
	250	-	-	-	-	-	-
Qbini fix/adjustable trimless warmdim 3x LED GE	250	-	-	-	-	-	-
	250	-	-	-	-	-	-
Qbini fix/adjustable trimless warmdim 4x LED GE	250	-	-	-	-	-	-
	250	-	-	-	-	-	-
Rektor semi-recessed LED GE	350	1	1	-	-	1	2
	500	-	-	-	-	1	2
Rektor semi-recessed warmdim LED GE	350	-	-	-	-	-	-
	350	1	1	-	-	1	2
Scotty 270 adjustable LED GE	350	1	1	-	-	1	2
	500	-	-	-	-	1	1
Slide IP54 LED GE	350	1	2	-	-	1	3
	500	-	-	1	1	1	3
Smart Cake / Kup / Lotis / (asy) 48 (IP54) LED GE	350	1	14	-	-	1	23
	500	-	-	1	8	1	23
Smart Cake / Kup / Lotis /+ (asy) 48 (IP54) LED GE	350	1	4	-	-	1	7
	500	-	-	1	2	1	7
Smart Cake / Kup / Lotis 82 (adjustable) warmdim LED GE (IP54)	350	-	-	-	-	-	-
	350	1	2	-	-	1	3
Smart Cake / Kup / Lotis 82 (IP54) LED GE	500	-	-	1	1	1	3
	700	-	-	-	-	1	3
Smart Cake / Kup / Lotis 82 adjustable LED GE	350	1	2	-	-	1	3
	500	-	-	1	1	1	3
Smart Cake / Kup / Lotis 115 adjustable LED GE	350	-	-	-	-	-	-
	500	-	-	1	1	1	3
Smart Cake / Kup / Lotis 115 adjustable warmdim LED GE	700	-	-	-	-	1	3
	350	-	-	-	-	-	-
Smart Cake / Kup / Lotis 115 (diffuse) (IP54) LED GE	350	1	1	-	-	1	2
	500	-	-	-	-	1	2
Smart Cake / Kup / Lotis 115 (diffuse) (IP54) LED GE	700	-	-	-	-	1	1

⊗ CHECK CUTOUT HOLE FIXTURE

■ DRIVER DOES NOT FIT THROUGH CUTOUT HOLE OF FIXTURE • 1/2 = REQUIRES 2 DRIVERS • 1/3 = REQUIRES 3 DRIVERS • 1/4 = REQUIRES 4 DRIVERS

<b>NON-DIM</b>		<b>12403730</b>		<b>12400730</b>		<b>12403430</b>	
		non dim		non dim		non dim	
Dimensions (LxWxH)		115x34x19		115x34x19		124x79x22	
min. cutout hole		40		40		84	
Max drivers on MCB 16A type B		27		27		15	
FIXTURE	mA	min	max	min	max	min	max
Smart Cake/ Kup / Lotis 160 (diffuse) (IP54) LED GE	500	-	-	-	-	1	1
	700	-	-	-	-	1	1
	900	-	-	-	-	1	1
	1050	-	-	-	-	1	1
	1200	-	-	-	-	-	-
	1400	-	-	-	-	-	-
Stove LED GE	350	1	1	-	-	1	2
	500	-	-	-	-	1	2
Wink 82 LED GE	350	1	2	-	-	1	3
	500	-	-	1	1	1	3
Wink 115 LED GE	350	1	1	-	-	1	2
	500	-	-	-	-	1	2
	700	-	-	-	-	1	1

■ DRIVER DOES NOT FIT THROUGH CUTOUT HOLE OF FIXTURE • 1/2 = REQUIRES 2 DRIVERS • 1/3 = REQUIRES 3 DRIVERS • 1/4 = REQUIRES 4 DRIVERS

TRAILING/LEADING EDGE (MAINS DIMMING)		12407230		12404830		12404930		12404230		12404330		12400330		12405730	
		MAINS		MAINS		MAINS		MAINS		MAINS		MAINS/PUSH		MAINS/PUSH	
Dimensions (LxWxH)		102x38x21		102x38x21		102x38x21		111x52x22		111x52x22		166x46x34		163x83x35	
min. cutout hole		42		42		42		54		54		56		88	
Max drivers on MCB 16A type B		50		50		50		50		50		50		30	
FIXTURE	mA	min	max	min	max	min	max	min	max	min	max	min	max	min	max
Chapeau 206 LED GE	350	-	-	-	-	-	-	1	1	-	-	1	1	-	-
	500	-	-	-	-	-	-	-	-	1	1	1	1	-	-
Duell recessed 1x LED GE	350	-	-	1	1	-	-	2	2	-	-	1	2	-	-
	500	-	-	-	-	1	1	-	-	1	2	1	2	-	-
Duell recessed 2x LED GE	350	-	-	1/2	1/2	-	-	1	1	-	-	1/2	1	-	-
	500	-	-	-	-	1/2	1/2	-	-	1/2	1	1/2	1	-	-
Hipy 110 IP67 LED GE	350	-	-	1	1	-	-	2	2	-	-	1	2	-	-
	500	-	-	-	-	1	1	-	-	1	2	1	2	-	-
Hipy 70 IP67 LED GE	350	-	-	2	2	-	-	3	5	-	-	1	4	-	-
	500	-	-	1	2	-	-	2	3	-	-	1	3	-	-
Julien IP54 LED GE	350	-	-	-	-	-	-	1	1	-	-	1	1	-	-
	500	-	-	-	-	-	-	-	-	1	1	1	1	-	-
K120 adjustable LED GE	350	-	-	-	-	-	-	-	-	-	-	1	1	-	-
	500	-	-	-	-	-	-	-	-	-	-	1	1	-	-
K72 IP54 LED GE	350	-	-	1	1	-	-	2	2	-	-	1	2	-	-
	500	-	-	-	-	1	1	-	-	1	2	1	2	-	-
K77 adjustable LED GE	350	-	-	1	1	-	-	2	2	-	-	1	2	-	-
	500	-	-	-	-	1	1	-	-	1	2	1	2	-	-
Kurk IP40 LED GE	350	-	-	1	1	-	-	2	2	-	-	1	2	-	-
	500	-	-	-	-	-	-	-	-	1	1	1	2	-	-
Kurk surface IP40 GE	350	-	-	1	1	-	-	2	2	-	-	1	2	-	-
	500	-	-	-	-	-	-	-	-	1	1	1	2	-	-
Lotis 82 (concrete) LED GE	350	-	-	1	1	-	-	2	2	-	-	1	2	-	-
	500	-	-	-	-	1	1	-	-	1	2	1	2	-	-
Lotis 86 IP55 LED GE	350	-	-	1	1	-	-	2	2	-	-	1	2	-	-
	500	-	-	-	-	1	1	-	-	1	2	1	2	-	-
Lotis 97 (concrete) adjustable LED GE	350	-	-	1	1	-	-	2	2	-	-	1	2	-	-
	500	-	-	-	-	1	1	-	-	1	2	1	2	-	-
Lotis square (IP55) LED GE	350	-	-	1	1	-	-	2	2	-	-	1	2	-	-
	500	-	-	-	-	1	1	-	-	1	2	1	2	-	-
Marbul recessed 1x LED GE	350	-	-	-	-	-	-	1	1	-	-	1	1	-	-
	500	-	-	-	-	-	-	-	-	1	1	1	1	-	-
Marbul recessed 2x LED GE	350	-	-	-	-	-	-	1/2	1/2	-	-	1/2	1/2	-	-
	500	-	-	-	-	-	-	-	-	1/2	1/2	1/2	1/2	-	-
Marbul suspension (adjustable) GE	350	-	-	-	-	-	-	1	1	-	-	1	1	-	-
	500	-	-	-	-	-	-	-	-	1	1	1	1	-	-
Marcel 1x LED GE	350	-	-	-	-	-	-	1	1	-	-	1	1	-	-
	500	-	-	-	-	-	-	-	-	1	1	1	1	-	-
Marcel 2x LED GE	350	-	-	-	-	-	-	1/2	1/2	-	-	1/2	1/2	-	-
	500	-	-	-	-	-	-	-	-	1/2	1/2	1/2	1/2	-	-
Marcel 3x LED GE	350	-	-	-	-	-	-	1/3	1/3	-	-	1/3	1/3	-	-
	500	-	-	-	-	-	-	-	-	1/3	1/3	1/3	1/3	-	-
Marty LED GE	350	-	-	4	9	-	-	9	17	-	-	1	15	-	-
	500	-	-	1	1	-	-	2	2	-	-	1	2	-	-
Médard 42 semi-recessed LED GE	350	-	-	-	-	1	1	-	-	1	2	1	2	-	-
	500	-	-	-	-	-	-	-	-	-	-	1	2	-	-
Médard 42 semi-recessed warmdim LED GE	350	-	-	1	1	-	-	2	2	-	-	-	-	-	-
	500	-	-	-	-	-	-	1	1	-	-	1	1	-	-
Médard 70 semi-recessed LED GE	350	-	-	-	-	-	-	-	-	1	1	1	1	-	-
	500	-	-	-	-	-	-	-	-	1	1	1	1	-	-
Médard 70 semi-recessed warmdim LED GE	350	-	-	-	-	-	-	1	1	-	-	-	-	-	-
	500	-	-	1	1	-	-	2	2	-	-	1	2	-	-
Mini-multiple 1x LED GE	350	-	-	-	-	1	1	-	-	1	2	1	2	-	-
	500	-	-	-	-	1	1	-	-	1	2	1	2	-	-
Mini-multiple 2x LED GE	350	-	-	1/2	1/2	-	-	1	1	-	-	1/2	1	-	-
	500	-	-	-	-	1/2	1/2	-	-	1/2	1	1/2	1	-	-
Mini-multiple 3x LED GE	350	-	-	1/3	1/3	-	-	1/2	1/2	-	-	1/3	1/2	-	-
	500	-	-	-	-	1/3	1/3	-	-	1/3	1/2	1/3	1/2	-	-
Mini-multiple 4x LED GE	350	-	-	1/4	1/4	-	-	1/2	1/2	-	-	1/4	1/2	-	-
	500	-	-	-	-	1/4	1/4	-	-	1/4	1/2	1/4	1/2	-	-

DRIVER DOES NOT FIT THROUGH CUTOUT HOLE OF FIXTURE • 1/2 = REQUIRES 2 DRIVERS • 1/3 = REQUIRES 3 DRIVERS • 1/4 = REQUIRES 4 DRIVERS

TRAILING/LEADING EDGE (MAINS DIMMING)			12407230		12404830		12404930		12404230		12404330		12400330		12405730		
Dimensions (LxWxH)			MAINS		MAINS		MAINS		MAINS		MAINS		MAINS/PUSH		MAINS/PUSH		
min. cutout hole			102x38x21		102x38x21		102x38x21		111x52x22		111x52x22		166x46x34		163x83x35		
Max drivers on MCB 16A type B			42		42		42		54		54		56		88		
			50		50		50		50		50		50		30		
FIXTURE	mA	min	max	min	max	min	max	min	max	min	max	min	max	min	max	min	max
M-LED 50 GE	350	-	-	1	1	-	-	2	2	-	-	1	2	-	-	-	-
M-LED 50 warmdim GE	500	-	-	-	-	1	1	-	-	1	2	1	2	-	-	-	-
M-LED 70 GE	350	-	-	1	1	-	-	2	2	-	-	1	2	-	-	-	-
M-LED 70 warmdim GE	500	-	-	-	-	1	1	-	-	1	2	1	2	-	-	-	-
M-LED 111 GE	350	-	-	-	-	-	-	1	1	-	-	1	1	-	-	-	-
M-LED 111 GE	500	-	-	-	-	-	-	-	-	1	1	1	1	-	-	-	-
M-LED 111 GE	700	-	-	-	-	-	-	-	-	-	-	1	1	-	-	-	-
Nomad 111 2x LED GE	350	-	-	-	-	-	-	1/2	1/2	-	-	1/2	1/2	-	-	-	-
Nomad 111 2x LED GE	500	-	-	-	-	-	-	-	-	1/2	1/2	1/2	1/2	-	-	-	-
Nomad 111 2x LED GE	700	-	-	-	-	-	-	-	-	-	-	1/2	1/2	-	-	-	-
Nomad 111 4x LED GE	350	-	-	-	-	-	-	1/4	1/4	-	-	1/4	1/4	-	-	-	-
Nomad 111 4x LED GE	500	-	-	-	-	-	-	-	-	1/4	1/4	1/4	1/4	-	-	-	-
Nomad 111 4x LED GE	700	-	-	-	-	-	-	-	-	-	-	1/4	1/4	-	-	-	-
Nomad 70 2x LED GE	350	-	-	1/2	1/2	-	-	1	1	-	-	1/2	1	-	-	-	-
Nomad 70 2x LED GE	500	-	-	-	-	-	-	-	-	1/2	1/2	1/2	1	-	-	-	-
Nomad 70 4x LED GE	350	-	-	1/4	1/4	-	-	1/2	1/2	-	-	1/4	1/2	-	-	-	-
Nomad 70 4x LED GE	500	-	-	-	-	-	-	-	-	1/4	1/4	1/4	1/2	-	-	-	-
Obini fix/adjustable 1x LED GE	350	-	-	2	2	-	-	3	5	-	-	1	4	-	-	-	-
Obini fix/adjustable 1x LED GE	500	-	-	-	-	2	2	-	-	2	4	1	4	-	-	-	-
Obini fix/adjustable 2x LED GE	350	-	-	1	1	-	-	1	2	-	-	1/2	2	-	-	-	-
Obini fix/adjustable 2x LED GE	500	-	-	-	-	1	1	-	-	1	2	1/2	2	-	-	-	-
Obini fix/adjustable 3x LED GE	350	-	-	1/2	1/2	-	-	1	1	-	-	1/3	1	-	-	-	-
Obini fix/adjustable 3x LED GE	500	-	-	-	-	1/2	1/2	-	-	1/2	1	1/3	1	-	-	-	-
Obini fix/adjustable 4x LED GE	350	-	-	1/2	1/2	-	-	1/2	1	-	-	1/4	1	-	-	-	-
Obini fix/adjustable 4x LED GE	500	-	-	-	-	1/2	1/2	-	-	1/2	1	1/4	1	-	-	-	-
Obini fix/adjustable trimless 1x LED GE	350	-	-	2	2	-	-	3	5	-	-	1	4	-	-	-	-
Obini fix/adjustable trimless 1x LED GE	500	-	-	-	-	2	2	-	-	2	4	1	4	-	-	-	-
Obini fix/adjustable trimless 2x LED GE	350	-	-	1	1	-	-	1	2	-	-	1/2	2	-	-	-	-
Obini fix/adjustable trimless 2x LED GE	500	-	-	-	-	1	1	-	-	1	2	1/2	2	-	-	-	-
Obini fix/adjustable trimless 3x LED GE	350	-	-	1/2	1/2	-	-	1	1	-	-	1/3	1	-	-	-	-
Obini fix/adjustable trimless 3x LED GE	500	-	-	-	-	1/2	1/2	-	-	1/2	1	1/3	1	-	-	-	-
Obini fix/adjustable trimless 4x LED GE	350	-	-	1/2	1/2	-	-	1/2	1	-	-	1/4	1	-	-	-	-
Obini fix/adjustable trimless 4x LED GE	500	-	-	-	-	1/2	1/2	-	-	1/2	1	1/4	1	-	-	-	-
Obini fix/adjustable trimless warmdim 1x LED GE	250	1	1	-	-	-	-	-	-	-	-	-	-	-	-	-	-
Obini fix/adjustable trimless warmdim 2x LED GE	250	1/2	1/2	-	-	-	-	-	-	-	-	-	-	-	-	-	-
Obini fix/adjustable trimless warmdim 3x LED GE	250	1/3	1/3	-	-	-	-	-	-	-	-	-	-	-	-	-	-
Obini fix/adjustable trimless warmdim 4x LED GE	250	1/4	1/4	-	-	-	-	-	-	-	-	-	-	-	-	-	-
Obini fix/adjustable warmdim 1x LED GE	250	1	1	-	-	-	-	-	-	-	-	-	-	-	-	-	-
Obini fix/adjustable warmdim 2x LED GE	250	1/2	1/2	-	-	-	-	-	-	-	-	-	-	-	-	-	-
Obini fix/adjustable warmdim 3x LED GE	250	1/3	1/3	-	-	-	-	-	-	-	-	-	-	-	-	-	-
Obini fix/adjustable warmdim 4x LED GE	250	1/4	1/4	-	-	-	-	-	-	-	-	-	-	-	-	-	-
Rektor semi-recessed LED GE	350	-	-	-	-	-	-	1	1	-	-	1	1	-	-	-	-
Rektor semi-recessed LED GE	500	-	-	-	-	-	-	-	-	1	1	1	1	-	-	-	-
Rektor semi-recessed warmdim LED GE	350	-	-	-	-	-	-	1	1	-	-	-	-	-	-	-	-
Scotty 270 adjustable LED GE	350	-	-	-	-	-	-	1	1	-	-	1	1	-	-	-	-
Scotty 270 LED GE	350	-	-	-	-	-	-	1	1	-	-	1	1	-	-	-	-
Scotty 270 LED GE	500	-	-	-	-	-	-	-	-	1	1	1	1	-	-	-	-
Slide IP54 LED GE	350	-	-	1	1	-	-	2	2	-	-	1	2	-	-	-	-
Slide IP54 LED GE	500	-	-	-	-	1	1	-	-	1	2	1	2	-	-	-	-
Smart Cake / Kup / Lotis / (asy) 48 (IP54) LED GE	350	-	-	4	9	-	-	9	17	-	-	1	15	-	-	-	-
Smart Cake / Kup / Lotis / (asy) 48 (IP54) LED GE	500	-	-	-	-	4	6	-	-	6	13	1	15	-	-	-	-
Smart Cake / Kup / Lotis / (asy) 48 (IP54) LED GE	350	-	-	2	2	-	-	3	5	-	-	1	4	-	-	-	-
Smart Cake / Kup / Lotis / (asy) 48 (IP54) LED GE	500	-	-	-	-	2	2	-	-	2	4	1	4	-	-	-	-
Smart Cake / Kup / Lotis 82 (adjustable) warmdim LED GE (IP54)	350	-	-	1	1	-	-	2	2	-	-	-	-	-	-	-	-
Smart Cake / Kup / Lotis 82 (adjustable) warmdim LED GE (IP54)	350	-	-	1	1	-	-	2	2	-	-	1	2	-	-	-	-
Smart Cake / Kup / Lotis 82 (IP54) LED GE	500	-	-	-	-	1	1	-	-	1	2	1	2	-	-	-	-
Smart Cake / Kup / Lotis 82 (IP54) LED GE	700	-	-	-	-	-	-	-	-	-	-	1	2	-	-	-	-
Smart Cake / Kup / Lotis 82 adjustable LED GE	350	-	-	1	1	-	-	2	2	-	-	1	2	-	-	-	-
Smart Cake / Kup / Lotis 82 adjustable LED GE	500	-	-	-	-	1	1	-	-	1	2	1	2	-	-	-	-
Smart Cake / Kup / Lotis 115 adjustable LED GE	350	-	-	1	1	-	-	2	2	-	-	1	2	-	-	-	-
Smart Cake / Kup / Lotis 115 adjustable LED GE	500	-	-	-	-	1	1	-	-	1	2	1	2	-	-	-	-
Smart Cake / Kup / Lotis 115 adjustable LED GE	700	-	-	-	-	-	-	-	-	-	-	1	2	-	-	-	-
Smart Cake / Kup / Lotis 115 adjustable warmdim LED GE	350	-	-	-	-	-	-	1	1	-	-	-	-	-	-	-	-
Smart Cake / Kup / Lotis 115 adjustable warmdim LED GE	350	-	-	-	-	-	-	1	1	-	-	1	1	-	-	-	-
Smart Cake / Kup / Lotis 115 (diffuse) (IP54) LED GE	500	-	-	-	-	-	-	-	-	1	1	1	1	-	-	-	-
Smart Cake / Kup / Lotis 115 (diffuse) (IP54) LED GE	700	-	-	-	-	-	-	-	-	-	-	1	1	-	-	-	-

⊙ CHECK CUTOUT HOLE FIXTURE

■ DRIVER DOES NOT FIT THROUGH CUTOUT HOLE OF FIXTURE • 1/2 = REQUIRES 2 DRIVERS • 1/3 = REQUIRES 3 DRIVERS • 1/4 = REQUIRES 4 DRIVERS

TRAILING/LEADING EDGE (MAINS DIMMING)		12407230		12404830		12404930		12404230		12404330		12400330		12405730	
		MAINS		MAINS		MAINS		MAINS		MAINS		MAINS/PUSH		MAINS/PUSH	
Dimensions (LxWxH)		102x38x21		102x38x21		102x38x21		111x52x22		111x52x22		166x46x34		163x83x35	
min. cutout hole		42		42		42		54		54		56		88	
Max drivers on MCB 16A type B		50		50		50		50		50		50		30	
FIXTURE	mA	min	max	min	max	min	max	min	max	min	max	min	max	min	max
Smart Cake/ Kup / Lotus 160 (diffuse) (IP54) LED GE	500	-	-	-	-	-	-	-	-	1	1	1	1	-	-
	700	-	-	-	-	-	-	-	-	-	-	1	1	-	-
	900	-	-	-	-	-	-	-	-	-	-	-	-	-	-
	1050	-	-	-	-	-	-	-	-	-	-	-	-	1	1
	1200	-	-	-	-	-	-	-	-	-	-	-	-	1	1
	1400	-	-	-	-	-	-	-	-	-	-	-	-	-	-
Stove LED GE	350	-	-	-	-	-	-	1	1	-	-	1	1	-	-
	500	-	-	-	-	-	-	-	-	1	1	1	1	-	-
Wink 82 LED GE	350	-	-	1	1	-	-	2	2	-	-	1	2	-	-
	500	-	-	-	-	1	1	-	-	1	2	1	2	-	-
Wink 115 LED GE	350	-	-	-	-	-	-	1	1	-	-	1	1	-	-
	500	-	-	-	-	-	-	-	-	1	1	1	1	-	-
	700	-	-	-	-	-	-	-	-	-	-	1	1	-	-

■ DRIVER DOES NOT FIT THROUGH CUTOUT HOLE OF FIXTURE • 1/2 = REQUIRES 2 DRIVERS • 1/3 = REQUIRES 3 DRIVERS • 1/4 = REQUIRES 4 DRIVERS

1-10V		12407130	12403830	12408030	12407730	11630330	11630430	11630530	11630930	11631030	11631130	12405330	12408230	12405430	12406630	12406530	12406730	12406830	
Dimensions (LxWxH) min. cutout hole Max drivers on MCB 16A type B		1-10V	1-10V/PUSH	1-10V/PUSH	1-10V/PUSH	1-10V hybrid deepdim	1-10V hybrid deepdim	1-10V hybrid deepdim	1-10V hybrid deepdim	1-10V hybrid deepdim	1-10V hybrid deepdim	1-10V	1-10V/PUSH	1-10V/PUSH	1-10V/PUSH	DALI/1-10V/PUSH	1-10V/PUSH	DALI/1-10V/PUSH	
		146.5x44x30	111x52x22	110.4x52x22	110.4x52x22	160x41.5x30.5	160x41.5x30.5	160x41.5x30.5	160x41.5x30.5	160x41.5x30.5	160x41.5x30.5	110x52x24	103x67x21	103x67x21	124x79x22	124x79x22	124x79x22	124x79x22	
		54	54	55	55	57	57	57	57	57	57	58	72	72	85	85	85	85	
		50	50	50	50	106	106	106	22	22	22	136	50	50	15	30	15	30	
FIXTURE	mA	min	max	min	max	min	max	min	max	min	max	min	max	min	max	min	max	min	max
Chapeau 206 LED GE	350	1	1	1	1	1	1	1	1	1	1	1	1	1	1	1	1	1	1
	500	1	1	1	1	1	1	1	1	1	1	1	1	1	1	1	1	1	1
Duell recessed 1x LED GE	350	1	2	1	2	1	2	1	2	1	2	1	2	1	2	1	2	1	2
	500	1	2	1	2	1	2	1	2	1	2	1	2	1	2	1	2	1	2
Duell recessed 2x LED GE	350	1/2	1	1/2	1	1/2	1	1/2	1	1/2	1	1/2	1	1/2	1	1/2	1	1/2	1
	500	1/2	1	1/2	1	1/2	1	1/2	1	1/2	1	1/2	1	1/2	1	1/2	1	1/2	1
Hipy 110 IP67 LED GE	350	1	2	1	2	1	2	1	2	1	2	1	2	1	2	1	2	1	2
	500	1	2	1	2	1	2	1	2	1	2	1	2	1	2	1	2	1	2
Hipy 70 IP67 LED GE	350	2	4	1	4	2	5	2	5	1	4	1	4	1	4	1	4	1	4
	500	2	4	1	4	2	5	2	5	1	4	1	4	1	4	1	4	1	4
Julien IPS4 LED GE	350	1	3	1	3	2	3	2	3	1	3	1	3	1	3	1	3	1	3
	500	1	3	1	3	2	3	2	3	1	3	1	3	1	3	1	3	1	3
K120 adjustable LED GE	350	1	1	1	1	1	1	1	1	1	1	1	1	1	1	1	1	1	1
	500	1	1	1	1	1	1	1	1	1	1	1	1	1	1	1	1	1	1
K72 IPS4 LED GE	350	1	2	1	2	1	2	1	2	1	2	1	2	1	2	1	2	1	2
	500	1	2	1	2	1	2	1	2	1	2	1	2	1	2	1	2	1	2
K77 adjustable LED GE	350	1	2	1	2	1	2	1	2	1	2	1	2	1	2	1	2	1	2
	500	1	2	1	2	1	2	1	2	1	2	1	2	1	2	1	2	1	2
Kurk IP40 LED GE	350	1	2	1	2	1	2	1	2	1	2	1	2	1	2	1	2	1	2
	500	1	2	1	2	1	2	1	2	1	2	1	2	1	2	1	2	1	2
Kurk surface IP40 GE	350	1	2	1	2	1	2	1	2	1	2	1	2	1	2	1	2	1	2
	500	1	2	1	2	1	2	1	2	1	2	1	2	1	2	1	2	1	2
Lotis 82 (concrete) LED GE	350	1	2	1	2	1	2	1	2	1	2	1	2	1	2	1	2	1	2
	500	1	2	1	2	1	2	1	2	1	2	1	2	1	2	1	2	1	2
Lotis 86 IPS5 LED GE	350	1	2	1	2	1	2	1	2	1	2	1	2	1	2	1	2	1	2
	500	1	2	1	2	1	2	1	2	1	2	1	2	1	2	1	2	1	2
Lotis 97 (concrete) adjustable LED GE	350	1	2	1	2	1	2	1	2	1	2	1	2	1	2	1	2	1	2
	500	1	2	1	2	1	2	1	2	1	2	1	2	1	2	1	2	1	2
Lotis square (IP55) LED GE	350	1	2	1	2	1	2	1	2	1	2	1	2	1	2	1	2	1	2
	500	1	2	1	2	1	2	1	2	1	2	1	2	1	2	1	2	1	2
Marbul recessed 1x LED GE	350	1	1	1	1	1	1	1	1	1	1	1	1	1	1	1	1	1	1
	500	1	1	1	1	1	1	1	1	1	1	1	1	1	1	1	1	1	1
Marbul recessed 2x LED GE	350	1/2	1/2	1/2	1/2	1/2	1/2	1/2	1/2	1/2	1/2	1/2	1/2	1/2	1/2	1/2	1/2	1/2	1/2
	500	1/2	1/2	1/2	1/2	1/2	1/2	1/2	1/2	1/2	1/2	1/2	1/2	1/2	1/2	1/2	1/2	1/2	1/2
Marbul suspension (adjustable) GE	350	1	1	1	1	1	1	1	1	1	1	1	1	1	1	1	1	1	1
	500	1	1	1	1	1	1	1	1	1	1	1	1	1	1	1	1	1	1
Marcel 1x LED GE	350	1	1	1	1	1	1	1	1	1	1	1	1	1	1	1	1	1	1
	700	1	1	1	1	1	1	1	1	1	1	1	1	1	1	1	1	1	1
Marcel 2x LED GE	350	1/2	1/2	1/2	1/2	1/2	1/2	1/2	1/2	1/2	1/2	1/2	1/2	1/2	1/2	1/2	1/2	1/2	1/2
	500	1/2	1/2	1/2	1/2	1/2	1/2	1/2	1/2	1/2	1/2	1/2	1/2	1/2	1/2	1/2	1/2	1/2	1/2
Marcel 3x LED GE	350	1/3	1/3	1/3	1/3	1/3	1/3	1/3	1/3	1/3	1/3	1/3	1/3	1/3	1/3	1/3	1/3	1/3	1/3
	500	1/3	1/3	1/3	1/3	1/3	1/3	1/3	1/3	1/3	1/3	1/3	1/3	1/3	1/3	1/3	1/3	1/3	1/3
Marty LED GE	350	4	15	1	14	5	16	5	16	1	13	1	13	1	18	1	18	1	18
	500	1	2	1	2	1	2	1	2	1	2	1	2	1	2	1	2	1	2
Médard 42 semi-recessed LED GE	350	1	2	1	2	1	2	1	2	1	2	1	2	1	2	1	2	1	2
	500	1	2	1	2	1	2	1	2	1	2	1	2	1	2	1	2	1	2
Médard 42 semi-recessed warmdim LED GE	350	1	2	1	2	1	2	1	2	1	2	1	2	1	2	1	2	1	2
	500	1	2	1	2	1	2	1	2	1	2	1	2	1	2	1	2	1	2
Médard 70 semi-recessed LED GE	350	1	1	1	1	1	1	1	1	1	1	1	1	1	1	1	1	1	1
	500	1	1	1	1	1	1	1	1	1	1	1	1	1	1	1	1	1	1
Médard 70 semi-recessed warmdim LED GE	350	1	1	1	1	1	1	1	1	1	1	1	1	1	1	1	1	1	1
	500	1	1	1	1	1	1	1	1	1	1	1	1	1	1	1	1	1	1
Mini-multiple 1x LED GE	350	1	2	1	2	1	2	1	2	1	2	1	2	1	2	1	2	1	2
	500	1	2	1	2	1	2	1	2	1	2	1	2	1	2	1	2	1	2
Mini-multiple 2x LED GE	350	1/2	1	1/2	1	1/2	1	1/2	1	1/2	1	1/2	1	1/2	1	1/2	1	1/2	1
	500	1/2	1	1/2	1	1/2	1	1/2	1	1/2	1	1/2	1	1/2	1	1/2	1	1/2	1
Mini-multiple 3x LED GE	350	1/3	1/2	1/3	1/2	1/3	1/2	1/3	1/2	1/3	1/2	1/3	1/2	1/3	1/2	1/3	1/2	1/3	1/2
	500	1/3	1/2	1/3	1/2	1/3	1/2	1/3	1/2	1/3	1/2	1/3	1/2	1/3	1/2	1/3	1/2	1/3	1/2
Mini-multiple 4x LED GE	350	1/4	1/2	1/4	1/2	1/4	1/2	1/4	1/2	1/4	1/2	1/4	1/2	1/4	1/2	1/4	1/2	1/4	1/2
	500	1/4	1/2	1/4	1/2	1/4	1/2	1/4	1/2	1/4	1/2	1/4	1/2	1/4	1/2	1/4	1/2	1/4	1/2

DRIVER DOES NOT FIT THROUGH CUTOUT HOLE OF FIXTURE • 1/2 = REQUIRES 2 DRIVERS • 1/3 = REQUIRES 3 DRIVERS • 1/4 = REQUIRES 4 DRIVERS





1-10V		12407130	12403830	12408030	12407730	11630330	11630430	11630530	11630930	11631030	11631130	12405330	12408230	12405430	12406630	12406530	12406730	12406830	
		1-10V	1-10V/PUSH	1-10V/PUSH	1-10V/PUSH	1-10V hybrid deepdim	1-10V hybrid deepdim	1-10V hybrid deepdim	1-10V hybrid deepdim	1-10V hybrid deepdim	1-10V hybrid deepdim	1-10V	1-10V/PUSH	1-10V/PUSH	1-10V/PUSH	DALI/1-10V/PUSH	1-10V/PUSH	DALI/1-10V/PUSH	
Dimensions (LxWxH)		146.5x44x30	111x52x22	110,4x52x22	110,4x52x22	160x41.5x30.5	160x41.5x30.5	160x41.5x30.5	160x41.5x30.5	160x41.5x30.5	160x41.5x30.5	110x52x24	103x67x21	103x67x21	124x79x22	124x79x22	124x79x22	124x79x22	
min. cutout hole		54	54	55	55	57	57	57	57	57	57	58	72	72	85	85	85	85	
Max drivers on MCB 16A type B		50	50	50	50	106	106	106	22	22	22	136	50	50	15	30	15	30	
FIXTURE	mA	min	max	min	max	min	max	min	max	min	max	min	max	min	max	min	max	min	max
Smart Cake / Kup / Lotis 115 adjustable LED GE	350	1	2	1	2	1	2	1	2	1	2	1	2	1	2	1	3	1	3
	500	1	2	1	2	1	2	1	2	1	2	1	2	1	2	1	3	1	3
	700	1	2	1	1	1	1	1	1	1	1	1	2	1	2	1	3	1	3
Smart Cake / Kup / Lotis 115 adjustable warmdim LED GE	350	1	1	-	-	1	1	-	-	-	-	-	-	-	-	1	1	-	-
	350	1	1	1	1	1	1	1	1	1	1	1	1	1	1	1	2	1	2
	500	1	1	1	1	1	1	1	1	1	1	1	1	1	1	2	1	2	
Smart Cake / Kup / Lotis 115 (diffuse) (IP54) LED GE	700	1	1	-	-	-	-	-	-	-	-	-	-	-	-	1	1	-	-
	500	1	1	1	1	1	1	1	1	1	1	1	1	1	1	1	1	1	1
	700	1	1	-	-	-	-	-	-	-	-	-	-	-	-	1	1	-	-
Smart Cake / Kup / Lotis 160 (diffuse) (IP54) LED GE	900	1	1	-	-	-	-	-	-	-	-	-	-	-	-	1	1	-	-
	1050	-	-	-	-	-	-	-	-	-	-	-	-	-	-	1	1	-	-
	1200	-	-	-	-	-	-	-	-	-	-	-	-	-	-	-	-	-	-
	1400	-	-	-	-	-	-	-	-	-	-	-	-	-	-	-	-	-	-
	350	1	1	1	1	1	1	1	1	1	1	1	1	1	1	1	2	1	2
Stove LED GE	500	1	1	1	1	1	1	1	1	1	1	1	1	1	1	1	1	1	2
	350	1	2	1	2	1	2	1	2	1	2	1	2	1	2	1	3	1	3
	500	1	2	1	2	1	2	1	2	1	2	1	2	1	2	1	3	1	3
Wink 82 LED GE	350	1	1	1	1	1	1	1	1	1	1	1	1	1	1	1	2	1	2
	500	1	1	1	1	1	1	1	1	1	1	1	1	1	1	2	1	2	
	700	1	1	-	-	-	-	-	-	-	-	-	-	-	-	1	1	-	-

DRIVER DOES NOT FIT THROUGH CUTOUT HOLE OF FIXTURE • 1/2 = REQUIRES 2 DRIVERS • 1/3 = REQUIRES 3 DRIVERS • 1/4 = REQUIRES 4 DRIVERS





DALI		12405630	12403930	12407930	12407630	11630030	11630130	11630230	11630630	11630730	11630830	12405530	12408130	12403230	12408330	12407830	12406530	12406830	
		DALI	DALI	DALI	DALI	DALI hybrid deepdim	DALI hybrid deepdim	DALI hybrid deepdim	DALI hybrid deepdim	DALI hybrid deepdim	DALI hybrid deepdim	DALI/PUSH	DALI	DALI	DALI	DALI	DALI/1-10V/PUSH	DALI/1-10V/PUSH	
Dimensions (LxWxH)		146,5x44x30	111x52x22	110,4x52x22	110,4x52x22	160x41,5x30,5	160x41,5x30,5	160x41,5x30,5	160x41,5x30,5	160x41,5x30,5	160x41,5x30,5	119x53x30	103x67x21	103x67x21	124x79x22	124x79x22	124x79x22	124x79x22	
min. cutout hole		54	54	55	55	57	57	57	57	57	57	61	72	72	84	84	85	85	
Max drivers on MCB 16A type B		50	50	50	50	106	106	106	22	22	22	160	50	50	30	30	30	30	
FIXTURE	mA	min	max	min	max	min	max	min	max	min	max	min	max	min	max	min	max	min	max
Smart Cake / Kup / Lotis 115 adjustable LED GE	350	1	2	1	2	1	2	1	2	1	2	1	2	1	2	1	2	1	2
	500	1	2	1	2	1	2	1	2	1	2	1	2	1	2	1	2	1	2
	700	1	2	1	1	1	1	1	1	1	1	1	1	2	1	2	1	4	1
Smart Cake / Kup / Lotis 115 adjustable warmdim LED GE	350	1	1	-	-	1	1	-	-	-	-	-	-	-	-	1	3	-	-
	500	1	1	1	1	1	1	1	1	1	1	1	1	1	1	1	3	1	3
	700	1	1	1	1	1	1	1	1	1	1	1	1	1	1	1	3	1	3
Smart Cake / Kup / Lotis 115 (diffuse) (IP54) LED GE	350	1	1	1	1	1	1	1	1	1	1	1	1	1	1	1	3	1	3
	500	1	1	1	1	1	1	1	1	1	1	1	1	1	1	1	3	1	3
	700	1	1	-	-	-	-	-	-	-	-	-	-	-	-	1	2	1	2
Smart Cake / Kup / Lotis 160 (diffuse) (IP54) LED GE	900	1	1	-	-	-	-	-	-	-	-	-	-	-	-	-	-	-	-
	1050	-	-	-	-	-	-	-	-	-	-	-	-	-	-	-	-	-	-
	1200	-	-	-	-	-	-	-	-	-	-	-	-	-	-	-	-	-	-
	1400	-	-	-	-	-	-	-	-	-	-	-	-	-	-	-	-	-	-
	1400	-	-	-	-	-	-	-	-	-	-	-	-	-	-	-	-	-	-
Stove LED GE	350	1	1	1	1	1	1	1	1	1	1	1	1	1	1	1	3	1	3
	500	1	1	1	1	1	1	1	1	1	1	1	1	1	1	1	3	1	3
Wink 82 LED GE	350	1	2	1	2	1	2	1	2	1	2	1	2	1	2	1	2	2	5
	500	1	2	1	2	1	2	1	2	1	2	1	2	1	2	1	2	1	5
Wink 115 LED GE	350	1	1	1	1	1	1	1	1	1	1	1	1	1	1	1	3	1	3
	500	1	1	1	1	1	1	1	1	1	1	1	1	1	1	1	3	1	3
	700	1	1	-	-	-	-	-	-	-	-	-	-	-	-	1	2	1	2

DRIVER DOES NOT FIT THROUGH CUTOUT HOLE OF FIXTURE • 1/2 = REQUIRES 2 DRIVERS • 1/3 = REQUIRES 3 DRIVERS • 1/4 = REQUIRES 4 DRIVERS

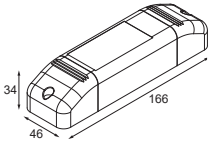








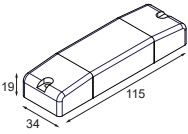



PUSH		12403830	12408030	12407730	12400330	12405530	12408230	12405430	12406630	12406530	12406730	12406830	12404530	12405730	12404730	12404030																	
Dimensions (LxWxH)		110V/PUSH	110V/PUSH	110V/PUSH	MAINS/PUSH	DALI/PUSH	110V/PUSH	110V/PUSH	110V/PUSH	DALI/110V/PUSH	110V/PUSH	DALI/110V/PUSH	DALI/110V/PUSH	MAINS/PUSH	DALI/110V/PUSH	DALI/110V/PUSH																	
min. cutout hole		111x52x22	110,4x52x22	110,4x52x22	166x46x34	119x53x30	103x67x21	103x67x21	124x79x22	124x79x22	124x79x22	124x79x22	124x79x22	163x83x35	161x83x35	129x79x30																	
Max drivers on MCB 16A type B		54	55	55	56	61	72	72	85	85	85	85	85	88	88	90																	
		50	50	50	50	160	50	50	15	30	15	30	15	30	15	15																	
FIXTURE	mA	min	max	min	max	min	max	min	max	min	max	min	max	min	max	min	max																
Smart Cake / Kup / Lotis 115 adjustable LED GE	350	1	2	1	2	1	2	1	2	1	2	1	2	1	3	1	3	1	3	1	5	-	-	1	3	-	-						
	500	1	2	1	2	1	2	1	2	1	1	1	2	1	2	1	3	1	3	1	3	1	5	-	-	1	3	-	-				
	700	1	1	1	1	1	1	1	2	1	1	1	2	1	2	1	3	1	3	1	3	1	3	-	-	1	3	-	-				
Smart Cake / Kup / Lotis 115 adjustable warmdim LED GE	350	-	-	1	1	-	-	-	-	1	1	1	1	-	-	-	-	-	-	-	-	-	-	-	-	-	-	-	-				
	350	1	1	1	1	1	1	1	1	1	1	1	1	1	1	2	1	2	1	2	1	2	1	2	1	3	-	-	1	2	-	-	
	500	1	1	1	1	1	1	1	1	1	1	1	1	1	1	2	1	2	1	2	1	2	1	2	1	2	-	-	1	2	-	-	
Smart Cake / Kup / Lotis 115 (diffuse) (IP54) LED GE	700	-	-	-	-	-	-	1	1	-	-	1	1	1	1	1	1	1	1	1	1	1	1	1	1	1	-	-	1	1	-	-	
	500	1	1	1	1	1	1	1	1	1	1	1	1	1	1	1	1	1	1	1	1	1	1	1	1	2	-	-	1	1	-	-	
	700	-	-	-	-	-	-	1	1	-	-	1	1	1	1	1	1	1	1	1	1	1	1	1	1	1	-	-	1	1	-	-	
Smart Cake/ Kup / Lotis 160 (diffuse) (IP54) LED GE	900	-	-	-	-	-	-	-	-	-	-	-	-	-	1	1	1	1	1	1	1	1	1	1	1	-	-	1	1	-	-		
	1050	-	-	-	-	-	-	-	-	-	-	-	-	-	1	1	1	1	1	1	1	1	1	1	1	-	-	1	1	1	1	1	
	1200	-	-	-	-	-	-	-	-	-	-	-	-	-	-	-	-	-	-	-	-	-	-	-	-	-	1	1	-	-	1	1	
	1400	-	-	-	-	-	-	-	-	-	-	-	-	-	-	-	-	-	-	-	-	-	-	-	-	-	-	-	-	-	1	1	
Stove LED GE	350	1	1	1	1	1	1	1	1	1	1	1	1	1	1	2	1	2	1	2	1	2	1	2	1	3	-	-	1	2	-	-	
	500	1	1	1	1	1	1	1	1	1	1	1	1	1	1	2	1	2	1	2	1	2	1	2	1	2	-	-	1	2	-	-	
Wink 82 LED GE	350	1	2	1	2	1	2	1	2	1	2	1	2	1	3	1	3	1	3	1	3	1	3	1	3	1	5	-	-	1	3	-	-
	500	1	2	1	2	1	2	1	2	1	1	1	2	1	2	1	3	1	3	1	3	1	3	1	3	1	5	-	-	1	3	-	-
Wink 115 LED GE	350	1	1	1	1	1	1	1	1	1	1	1	1	1	1	2	1	2	1	2	1	2	1	2	1	3	-	-	1	2	-	-	
	500	1	1	1	1	1	1	1	1	1	1	1	1	1	1	2	1	2	1	2	1	2	1	2	1	2	-	-	1	2	-	-	
	700	-	-	-	-	-	-	1	1	-	-	1	1	1	1	1	1	1	1	1	1	1	1	1	1	1	-	-	1	1	-	-	




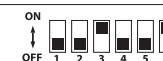
■ DRIVER DOES NOT FIT THROUGH CUTOUT HOLE OF FIXTURE • 1/2 = REQUIRES 2 DRIVERS • 1/3 = REQUIRES 3 DRIVERS • 1/4 = REQUIRES 4 DRIVERS





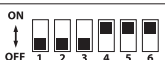



	   		
Reference	<b>12400330</b>		
Dimensions (LxWxH)	166x46x34		
Input	220-240V 50/60Hz		
Ambient temperature	-25°C to +45°C		
Power factor (max)	0.97		
Dimming	TRAILING EDGE/LEADING EDGE (PWM)		
Max drivers on MCB 16A type B*	50		
Output	<b>350mA / 17W</b> 1-47V DC	<b>500mA / 24W</b> 1-47V DC	<b>700mA / 32W</b> 1-46V DC
DIP-switch setting (check on driver)			

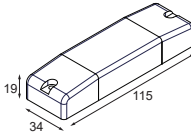


	 		
Reference	<b>12400730</b>		
Dimensions (LxWxH)	115x34x19		
Input	220-240V 50/60Hz		
Ambient temperature	-25°C to +50°C		
Power factor (max)	0.54		
Dimming	-		
Max drivers on MCB 16A type B*	27		
Output	<b>500mA / 12W</b> 1-24V DC		

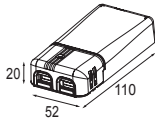







\* FOR OTHER TYPES OF MCB, SEE TABLE ON PAGE 38

			
Reference	<b>12403230</b>		
Dimensions (LxWxH)	103x67x21		
Input	220-240V 50/60Hz		
Ambient temperature	-25°C to +50°C		
Power factor (max)	0.98		
Dimming	DALI (PWM)		
Max drivers on MCB 16A type B*	50		
Output	<b>350mA / 15W</b> 1-47V DC	<b>500mA / 24W</b> 1-47V DC	<b>700mA / 32W</b> 1-46V DC
DIP-switch setting (check on driver)			





					
Reference	<b>12403430</b>				
Dimensions (LxWxH)	124x79x22				
Input	220-240V 50/60Hz				
Ambient temperature	-25°C to +45°C				
Power factor (max)	0.95				
Dimming	-				
Max drivers on MCB 16A type B*	15				
Output	<b>350mA / 25W</b> 1-74V DC	<b>500mA / 35W</b> 1-72V DC	<b>700mA / 50W</b> 1-71V DC	<b>900mA / 50W</b> 1-55V DC	<b>1050mA / 50W</b> 1-48V DC
DIP-switch setting (check on driver)					

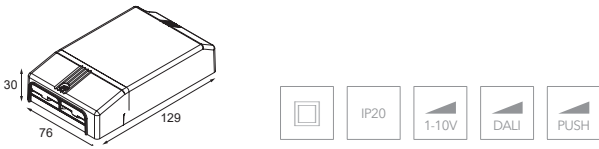




\* FOR OTHER TYPES OF MCB, SEE TABLE ON PAGE 38

	  		
Reference	<b>12403730</b>		
Dimensions (LxWxH)	115x34x19		
Input	220-240V 50/60Hz		
Ambient temperature	-25°C to +45°C		
Power factor (max)	0.54		
Dimming	-		
Max drivers on MCB 16A type B*	27		
Output	<b>350mA / 15W</b> 1-43V DC		


	    		
Reference	<b>12403830</b>		
Dimensions (LxWxH)	110x52x22		
Input	220-240V 50/60Hz		
Ambient temperature	-25°C to +50°C		
Power factor (max)	0.95		
Dimming	1-10V/PUSH DIM (PWM)		
Max drivers on MCB 16A type B*	50		
Output	<b>350mA / 15W</b> 1-43V DC	<b>500mA / 20W</b> 1-43V DC	<b>700mA / 20W</b> 1-36V DC
DIP-switch setting (check on driver)			


\* FOR OTHER TYPES OF MCB, SEE TABLE ON PAGE 38

			
Reference	<b>12403930</b>		
Dimensions (LxWxH)	111x52x22		
Input	220-240V 50/60Hz		
Ambient temperature	-25°C to +50°C		
Power factor (max)	0.92		
Dimming	DALI (PWM)		
Max drivers on MCB 16A type B*	50		
Output	<b>350mA / 15W</b> 1-43V DC	<b>500mA / 20W</b> 1-40V DC	<b>700mA / 20W</b> 1-28V DC
DIP-switch setting (check on driver)			

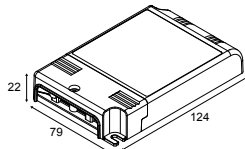

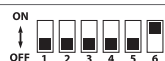

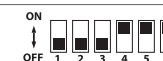
				
Reference	<b>12404030</b>			
Dimensions (LxWxH)	129x76x30			
Input	220-240V 50/60Hz			
Ambient temperature	-25°C to +50°C			
Power factor (max)	0.95			
Dimming	DALI/1-10V/PUSH DIM (push dim: optional sync cable 12400100) (PWM)			
Max drivers on MCB 16A type B*	15			
Output	<b>1050mA / 45W</b> 1-44V DC	<b>1200mA / 52W</b> 1-44V DC	<b>1400mA / 55W</b> 1-39V DC	<b>1600mA / 55W</b> 1-35V DC
DIP-switch setting (check on driver)				

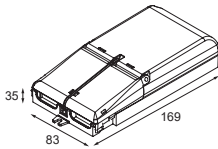



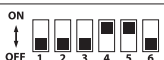


\* FOR OTHER TYPES OF MCB, SEE TABLE ON PAGE 38

	
Reference	<b>12404230</b>
Dimensions (LxWxH)	111x52x22
Input	220-240V 50/60Hz
Ambient temperature	-25°C to +50°C
Power factor (max)	0.95
Dimming	TRAILING EDGE/LEADING EDGE (AM)
Max drivers on MCB 16A type B*	50
Output	<b>350mA</b> / 8-18W 25-51V DC


	
Reference	<b>12404330</b>
Dimensions (LxWxH)	111x52x22
Input	220-240V 50/60Hz
Ambient temperature	-25°C to +45°C
Power factor (max)	0.95
Dimming	TRAILING EDGE/LEADING EDGE (AM)
Max drivers on MCB 16A type B*	50
Output	<b>500mA</b> / 8-20W 16-40V DC






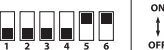

\* FOR OTHER TYPES OF MCB, SEE TABLE ON PAGE 38

	 		
Reference	<b>12404530</b>		
Dimensions (LxWxH)	124x79x22		
Input	220-240V 50/60Hz		
Ambient temperature	-25°C to +50°C		
Power factor (max)	0.95		
Dimming	DALI/1-10V/PUSH DIM (push dim: optional sync cable 12400100) (PWM)		
Max drivers on MCB 16A type B*	15		
Output	<b>350mA / 40W</b> 1-112V DC	<b>500mA / 50W</b> 1-100V DC	<b>700mA / 50W</b> 1-70V DC
DIP-switch setting (check on driver)			

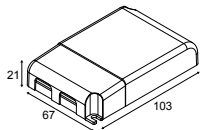







	 				
Reference	<b>12404730</b>				
Dimensions (LxWxH)	169x83x35				
Input	220-240V 50/60Hz				
Ambient temperature	-25°C to +45°C				
Power factor (max)	0.98				
Dimming	DALI/1-10V/PUSH (PWM) (push dim: optional sync cable 12400100)				
Max drivers on MCB 16A type B*	30				
Output	<b>350mA / 25W</b> 1-71V DC	<b>500mA / 35W</b> 1-70V DC	<b>700mA / 50W</b> 1-70V DC	<b>900mA / 50W</b> 1-55V DC	<b>1050mA / 50W</b> 1-48V DC
DIP-switch setting (check on driver)					

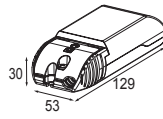



\* FOR OTHER TYPES OF MCB, SEE TABLE ON PAGE 38

			
Reference	<b>12407230</b>	<b>12404830</b>	<b>12404930</b>
Dimensions (LxWxH)	102x38x21	102x38x21	102x38x21
Input	220-240V 50/60Hz	220-240V 50/60Hz	220-240V 50/60Hz
Ambient temperature	-25°C to +45°C	-25°C to +45°C	-25°C to +45°C
Power factor (max)	0.96	0.96	0.96
Dimming	TRAILING EDGE/LEADING EDGE (AM)	TRAILING EDGE/LEADING EDGE (AM)	TRAILING EDGE/LEADING EDGE (AM)
Max drivers on MCB 16A type B*	50	50	50
Output	<b>250mA</b> / 3-7W 14-28V DC	<b>350mA</b> / 4-10W 12-28V DC	<b>500mA</b> / 5-10W 10-20V DC

						
Reference	<b>12405330</b>					
Dimensions (LxWxH)	110x52x23,5					
Input	180-240V 50/60Hz					
Ambient temperature	-20°C to +45°C					
Power factor (max)	0.98					
Dimming	1-10V (AM)					
Max drivers on MCB 16A type B*	136					
Output	<b>350 (340)mA</b> / 15W 6-42V DC	<b>500mA</b> / 22W 6-42V DC	<b>700mA</b> / 30W 6-42V DC	<b>900mA</b> / 29W 6-31V DC	<b>1050 (1040) mA</b> / 28W 6-29V DC	<b>1200mA</b> / 26W 6-21V DC
DIP-switch setting (check on driver)						


\* FOR OTHER TYPES OF MCB, SEE TABLE ON PAGE 38


	   			
Reference	<b>12405430</b>			
Dimensions (LxWxH)	103x67x21			
Input	220-240V 50/60Hz			
Ambient temperature	-25°C to +45°C			
Power factor (max)	0.95			
Dimming	1-10V/PUSH (PWM)			
Max drivers on MCB 16A type B*	50			
Output	<b>350mA / 18W</b> 10-53V DC	<b>500mA / 25W</b> 2-50V DC	<b>700mA / 32W</b> 2-46V DC	<b>900mA / 20W</b> 2-22V DC
DIP-switch setting (check on driver)				

	   						
Reference	<b>12405530</b>						
Dimensions (LxWxH)	119x53x30						
Input	220-240V 50/60Hz						
Ambient temperature	-25°C to +45°C						
Power factor (max)	0.98						
Dimming	PUSH DIM/DALI (AM)						
Max drivers on MCB 16A type B*	160						
Output	<b>250mA / 18W</b> 12.5-54V DC	<b>350mA / 8W</b> 11-54V DC	<b>500mA / 18W</b> 7.5-36V DC	<b>700 (699)mA / 18W</b> 7.5-26V DC	<b>900 (889)mA / 18W</b> 7.5-20V DC	<b>1050 (1052)mA / 18W</b> 7.5-17V DC	
LED set	20KΩ	SHORT	10KΩ	7.15KΩ	5.62KΩ	4.75KΩ	





\* FOR OTHER TYPES OF MCB, SEE TABLE ON PAGE 38









					
Reference	<b>12405630</b>				
Dimensions (LxWxH)	146.5x44x30				
Input	220-240V 50/60Hz				
Ambient temperature	-25°C to +45°C				
Power factor (max)	0.9				
Dimming	DALI (AM)				
Max drivers on MCB 16A type B*	50				
Output	<b>350mA</b> / 1-18.5W 3-54V DC	<b>500mA</b> / 1-27W 3-54V DC	<b>700mA</b> / 1-36W 3-51V DC	<b>900mA</b> / 1-36W 3-40V DC	<b>1050mA</b> / 1-36W 3-34V DC
DIP-switch setting (check on driver)	TBA	TBA	TBA	TBA	TBA

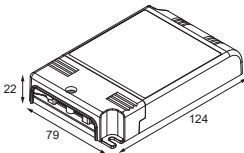

































					
Reference	<b>12407130</b>				
Dimensions (LxWxH)	146.5x44x30				
Input	220-240V 50/60Hz				
Ambient temperature	-25°C to +40°C				
Power factor (max)	0.95				
Dimming	1-10V				
Max drivers on MCB 16A type B*	50				
Output	<b>350mA</b> / 1-18.5W 3-54V DC	<b>500mA</b> / 1-27W 3-54V DC	<b>700mA</b> / 1-36W 3-51V DC	<b>900mA</b> / 1-36W 3-40V DC	<b>1050mA</b> / 1-36W 3-34V DC
DIP-switch setting (check on driver)	TBA	TBA	TBA	TBA	TBA

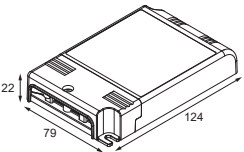















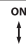

















\* FOR OTHER TYPES OF MCB, SEE TABLE ON PAGE 38

			
Reference	<b>12405730</b>		
Dimensions (LxWxH)	163x83x35		
Input	220-240V 50/60Hz		
Ambient temperature	-25°C to +50°C		
Power factor (max)	0.88		
Dimming	MAINS/PUSH (PWM)		
Max drivers on MCB 16A type B*	30		
Output	<b>1050mA / 1-45W</b> 2-43V DC	<b>1200mA / 1-50W</b> 2-42V DC	<b>1400mA / 1-50W</b> 2-36V DC
DIP-switch setting (check on driver)			

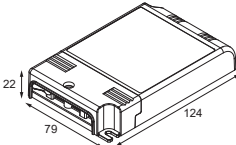









					
Reference	<b>12406530</b>				
Dimensions (LxWxH)	124x79x22				
Input	220-240V 50/60Hz				
Ambient temperature	-25°C to +50°C				
Power factor (max)	0.95				
Dimming	1-10V/PUSH (AM)				
Max drivers on MCB 16A type B*	30				
Output	<b>350mA / 25W</b> 2-74V DC	<b>500mA / 35W</b> 2-72V DC	<b>700mA / 50W</b> 2-72V DC	<b>900mA / 60W</b> 2-66V DC	<b>1050mA / 60W</b> 2-57V DC
DIP-switch setting (check on driver)					

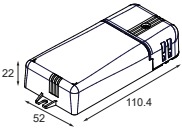



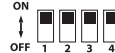


\* FOR OTHER TYPES OF MCB, SEE TABLE ON PAGE 38

	   				
Reference	<b>12406630</b>				
Dimensions (LxWxH)	124x79x22				
Input	220-240V 50/60Hz				
Ambient temperature	-25°C to +50°C				
Power factor (max)	0.95				
Dimming	1-10V/PUSH (AM)				
Max drivers on MCB 16A type B*	15				
Output	<b>350mA / 25W</b> 2-74V DC	<b>500mA / 35W</b> 2-72V DC	<b>700mA / 50W</b> 2-72V DC	<b>900mA / 60W</b> 2-66V DC	<b>1050mA / 60W</b> 2-57V DC
DIP-switch setting (check on driver)	     	     	     	     	     




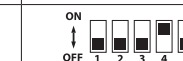
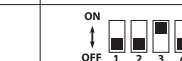
	   				
Reference	<b>12406730</b>				
Dimensions (LxWxH)	124x79x22				
Input	220-240V 50/60Hz				
Ambient temperature	-25°C to +50°C				
Power factor (max)	0.95				
Dimming	1-10V/PUSH (PWM)				
Max drivers on MCB 16A type B*	15				
Output	<b>350mA / 25W</b> 2-74V DC	<b>500mA / 35W</b> 2-72V DC	<b>700mA / 50W</b> 2-72V DC	<b>900mA / 60W</b> 2-66V DC	<b>1050mA / 60W</b> 2-57V DC
DIP-switch setting (check on driver)	     	     	     	     	     




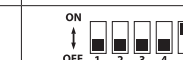
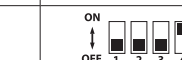
\* FOR OTHER TYPES OF MCB, SEE TABLE ON PAGE 38

	    				
Reference	<b>12406830</b>				
Dimensions (LxWxH)	124x79x22				
Input	220-240V 50/60Hz				
Ambient temperature	-25°C to +50°C				
Power factor (max)	0.95				
Dimming	1-10V/DALI/PUSH (PWM)				
Max drivers on MCB 16A type B*	30				
Output	<b>350mA / 25W</b> 2-74V DC	<b>500mA / 35W</b> 2-72V DC	<b>700mA / 50W</b> 2-72V DC	<b>900mA / 60W</b> 2-66V DC	<b>1050mA / 60W</b> 2-57V DC
DIP-switch setting (check on driver)					






	  			
Reference	<b>12407630</b>			
Dimensions (LxWxH)	111x52x22			
Input	220-240V 50/60Hz			
Ambient temperature	-25°C to +45°C			
Power factor (max)	0.92			
Dimming	DALI (PWM/AM+PWM)			
Max drivers on MCB 16A type B*	50			
Output	<b>250mA / 12W</b> 15-49V DC	<b>350mA / 17W</b> 2-49V DC	<b>500mA / 20W</b> 2-40V DC	<b>700mA / 20W</b> 2-28V DC
DIP-switch setting (check on driver)				






\* FOR OTHER TYPES OF MCB, SEE TABLE ON PAGE 38

				
Reference	<b>12407730</b>			
Dimensions (LxWxH)	111x52x22			
Input	220-240V 50/60Hz			
Ambient temperature	-25°C to +50°C			
Power factor (max)	0.95			
Dimming	0/1-10V/PUSH (PWM/AM+PWM)			
Max drivers on MCB 16A type B*	50			
Output	<b>250mA / 13W</b> 20-53V DC	<b>350mA / 18W</b> 15-50V DC	<b>500mA / 20W</b> 5-40V DC	<b>700mA / 20W</b> 3-29V DC
DIP-switch setting (check on driver)				




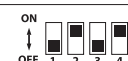

				
Reference	<b>12407830</b>			
Dimensions (LxWxH)	124x79x22			
Input	220-240V 50/60Hz			
Ambient temperature	-25°C to +50°C			
Power factor (max)	0.95			
Dimming	0/1-10V/PUSH/DALI (PWM/AM+PWM)			
Max drivers on MCB 16A type B*	30			
Output	<b>250mA / 28W</b> 20-112V DC	<b>350mA / 39W</b> 20-112V DC	<b>500mA / 56W</b> 2-112V DC	<b>700mA / 60W</b> 2-86V DC
DIP-switch setting (check on driver)				


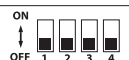
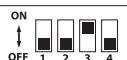


\* FOR OTHER TYPES OF MCB, SEE TABLE ON PAGE 38

				
Reference	<b>12407930</b>			
Dimensions (LxWxH)	111x52x22			
Input	220-240V 50/60Hz			
Ambient temperature	-25°C to +45°C			
Power factor (max)	0.92			
Dimming	DALI (AM)			
Max drivers on MCB 16A type B*	50			
Output	<b>250mA / 12W</b> 15-49V DC	<b>350mA / 17W</b> 2-49V DC	<b>500mA / 20W</b> 2-40V DC	<b>700mA / 20W</b> 2-28V DC
DIP-switch setting (check on driver)				






				
Reference	<b>12408030</b>			
Dimensions (LxWxH)	111x52x22			
Input	220-240V 50/60Hz			
Ambient temperature	-25°C to +50°C			
Power factor (max)	0.95			
Dimming	0/1-10V/PUSH (PWM/AM+PWM)			
Max drivers on MCB 16A type B*	50			
Output	<b>250mA / 13W</b> 20-53V DC	<b>350mA / 18W</b> 15-50V DC	<b>500mA / 20W</b> 5-40V DC	<b>700mA / 20W</b> 3-29V DC
DIP-switch setting (check on driver)				

\* FOR OTHER TYPES OF MCB, SEE TABLE ON PAGE 38

				
Reference	<b>12408130</b>			
Dimensions (LxWxH)	103x67x21			
Input	220-240V 50/60Hz			
Ambient temperature	-25°C to +50°C			
Power factor (max)	0.95			
Dimming	DALI (AM)			
Max drivers on MCB 16A type B*	50			
Output	<b>250mA / 12W</b> 10-48V DC	<b>350mA / 17W</b> 5-48V DC	<b>500mA / 24W</b> 5-48V DC	<b>700mA / 32W</b> 3-46V DC
DIP-switch setting (check on driver)				

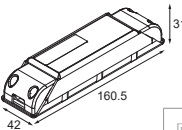
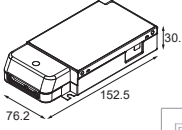
				
Reference	<b>12408230</b>			
Dimensions (LxWxH)	103x67x21			
Input	220-240V 50/60Hz			
Ambient temperature	-25°C to +45°C			
Power factor (max)	0.95			
Dimming	0/1-10V/PUSH (push dim: optional sync cable 12400100) (AM)			
Max drivers on MCB 16A type B*	15			
Output	<b>250mA / 13W</b> 15-53V DC	<b>350mA / 18W</b> 10-53V DC	<b>500mA / 25W</b> 2-50V DC	<b>700mA / 32W</b> 2-46V DC
DIP-switch setting (check on driver)				

\* FOR OTHER TYPES OF MCB, SEE TABLE ON PAGE 38

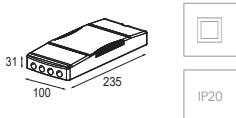
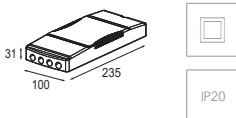
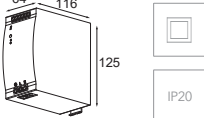
				
Reference	<b>12408330</b>			
Dimensions (LxWxH)	124x79x22			
Input	220-240V 50/60Hz			
Ambient temperature	-25°C to +50°C			
Power factor (max)	0.95			
Dimming	0/1-10V/DALI/PUSH (push dim: optional sync cable 12400100) (AM)			
Max drivers on MCB 16A type B*	15			
Output	<b>250mA / 28W</b> 20-112V DC	<b>350mA / 39W</b> 20-112V DC	<b>500mA / 56W</b> 2-112V DC	<b>700mA / 60W</b> 2-86V DC
DIP-switch setting (check on driver)				

\* FOR OTHER TYPES OF MCB, SEE TABLE ON PAGE 38

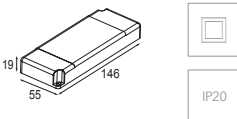
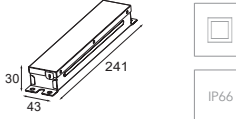
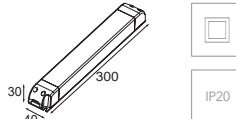


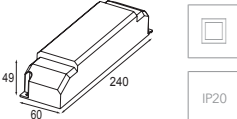
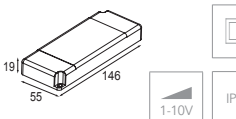
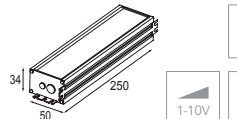
												
	20W						50W					
Reference	11630030	11630130	11630230	11630330	11630430	11630530	11630630	11630730	11630830	11630930	11631030	11631130
Dimensions (LxWxH)	160.5x42x31						152.5x76.2x30.1					
Input	198-264V 50/60Hz						120-255V 50/60Hz					
Ambient temperature	-20°C to +50°C						-20°C to +50°C					
Power factor (max)	>0.95C						>0.9C					
Dim	DALI (AM+PWM)	DALI (AM+PWM)	DALI (AM+PWM)	O/1-10V (AM+PWM)	O/1-10V (AM+PWM)	O/1-10V (AM+PWM)	DALI (AM+PWM)	DALI (AM+PWM)	DALI (AM+PWM)	O/1-10V (AM+PWM)	O/1-10V (AM+PWM)	O/1-10V (AM+PWM)
Max drivers on MCB 16A type B*	106	106	106	106	106	106	22	22	22	22	22	22
Output voltage / Power range	350mA/20W 2-40V DC	500mA/20W 2-40V DC	700mA/20W 2-40V DC	350mA/20W 2-40V DC	500mA/20W 2-40V DC	700mA/20W 2-40V DC	350mA/50W 1.5-55V DC	500mA/50W 1.5-55V DC	700mA/50W 1.5-55V DC	350mA/50W 1.5-55V DC	500mA/50W 1.5-55V DC	700mA/50W 1.5-55V DC

\* FOR OTHER TYPES OF MCB, SEE TABLE ON PAGE 38

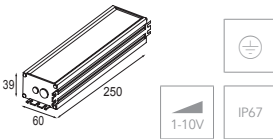
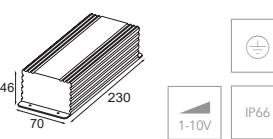
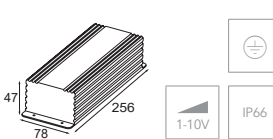
			
Reference	<b>12407330</b>	<b>12407430</b>	<b>12407530</b>
Dimensions (LxWxH)	235x100x31	235x100x31	125x63.5x123.6
Input	220-240V 50/60Hz	220-240V 50/60Hz	90-264V 50/60Hz
Ambient temperature	-25°C to +55°C	-25°C to +55°C	-40°C to +70°C
Power factor (max)	0.99C	0.99C	0.7C
Dim	NOT DIMMABLE	NOT DIMMABLE	NOT DIMMABLE
Max drivers on MCB 16A type B*	8	14	8
Output voltage / Power range	48V / 0-150W	48V / 0-75W	48V / 0-120W (DIN RAIL)

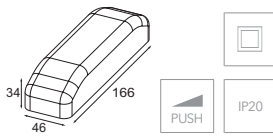
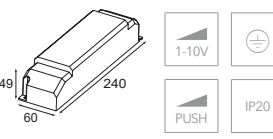
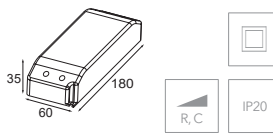
\* FOR OTHER TYPES OF MCB, SEE TABLE ON PAGE 38

			
Reference	<b>12405830</b>	<b>12401830</b>	<b>12405930</b>
Dimensions (LxWxH)	146x55x19	241x43x30	300x40x30
Input	220-240V 50/60Hz	220-240V 50/60Hz	220-240V 50/60Hz
Ambient temperature	-25°C to +50°C	-30°C to +60°C	-25°C to +45°C
Power factor (max)	0.55	0.97	0.95
Dim	NOT DIMMABLE	NOT DIMMABLE	NOT DIMMABLE
Max drivers on MCB 16A type B*	27	6	11
Output voltage / Power range	24V / 0-20W	24V / 0-100W	24V / 0-120W

			
Reference	<b>12405030</b>	<b>12402030</b>	<b>12402130</b>
Dimensions (LxWxH)	240x60x49	146x55x19	250x50x34
Input	220-240V 50/60Hz	220-240V 50/60Hz	220-240V 50/60Hz
Ambient temperature	-40°C to +45°C	-25°C to +50°C	-25°C to +55°C
Power factor (max)	0.97	0.95	0.9
Dim	NOT DIMMABLE	1-10V	1-10V
Max drivers on MCB 16A type B*	8	27	10
Output voltage / Power range	24V / 0-150W	24V / 0-20W	24V / 25-80W

\* FOR OTHER TYPES OF MCB, SEE TABLE ON PAGE 38

			
Reference	<b>12402230</b>	<b>12406930</b>	<b>12407030</b>
Dimensions (LxWxH)	250x60x39	230x70x46	256x78x47
Input	220-240V 50/60Hz	220-240V 50/60Hz	220-240V 50/60Hz
Ambient temperature	-25°C to +55°C	-40°C to +50°C	-40°C to +50°C
Power factor (max)	0.9	0.98	0.99
Dim	1-10V	1-10V	1-10V
Max drivers on MCB 16A type B*	10	13	9
Output voltage / Power range	24V / 60-120W	24V / 0-100W	24V / 0-150W

			
Reference	<b>12406030</b>	<b>12406130</b>	<b>12406230</b>
Dimensions (LxWxH)	166x46x34	240x60x49	180x60x35
Input	220-240V 50/60Hz	220-240V 50/60Hz	220-240V 50/60Hz
Ambient temperature	-25°C to +50°C	-25°C to +50°C	-40°C to +50°C
Power factor (max)	0.6	0.98	0.92
Dim	PUSHDIM	1-10V / PUSHDIM	TRAILING EDGE
Max drivers on MCB 16A type B*	27	8	54
Output voltage / Power range	24V / 0-22W	24V / 0-120W	24V / 0-45W

\* FOR OTHER TYPES OF MCB, SEE TABLE ON PAGE 38

Reference	<b>12406330</b>	<b>12403930</b>	<b>12405230</b>
Dimensions (LxWxH)	200x70x46	110x52x20	295x43x30
Input	220-240V 50/60Hz	220-240V 50/60Hz	220-240V 50/60Hz
Ambient temperature	-40°C to +40°C	-25°C to +45°C	-25°C to +45°C
Power factor (max)	0.95	0.92	0.93
Dim	TRAILING EDGE	DALI	PUSHDIM / DALI / DSI
Max drivers on MCB 16A type B*	30	50	9
Output voltage / Power range	24V / 0-80W	24V / 0-16W	24V / 0-100W
DIP-switch setting (check on driver)			

Reference	<b>12406430</b>
Dimensions (LxWxH)	325x43x30
Input	220-240V 50/60Hz
Ambient temperature	-25°C to +50°C
Power factor (max)	0.94
Dim	PUSHDIM / DALI / DSI
Max drivers on MCB 16A type B*	6
Output voltage / Power range	24V / 0-150W

\* FOR OTHER TYPES OF MCB, SEE TABLE ON PAGE 38

CONVERSION TABLE FOR MAX. QUANTITIES OF DRIVERS ON OTHER TYPES OF MINIATURE CIRCUIT BREAKER

MCB type	MAX. CURRENT	RELATIVE NUMBER OF DRIVERS
B	25A	156%
B	20A	125%
B	16A	100%
B	10A	63%
C	25A	260%
C	20A	208%
C	16A	170%
C	10A	104%

Reference	<b>12400010</b>	<b>12400110</b>
Dimensions (LxWxH)	unit 166x46x34 / battery pack 135x45x23	unit 166x46x34 / 2x battery pack 212x40x33
Input	220-240V 50/60Hz	220-240V 50/60Hz
Ambient temperature	0°C to 50°C	0°C to 50°C
Emergency operating time	1 hour	3 hours
Charge time	24 hours	24 hours
Output	100-400mA 9-58V	100-400mA 9-58V
DIP-switch setting		

	Typical drive current	Emergency light output compared to light output at typical current
Chapeau 206 LED GE	350mA	50%
Duell recessed 1x LED GE	500mA	72%
Duell recessed 2x LED GE	500mA	72% *
Hipy 110 IP67 LED GE	500mA	72%
Hipy 70 IP67 LED GE	350mA	100%
Julien IP54 LED GE	350mA	100%
K72 IP54 LED GE	500mA	72%
K77 adjustable LED GE	500mA	72%
Kurk IP40 LED GE / Kurk surface IP40 GE	700mA	47%
Lotis 82 LED GE / Lotis 86 LED GE	500mA	72%
Lotis 97 adjustable LED GE	500mA	72%
Lotis square (IP55) LED GE	500mA	72%
Marbul recessed 1x	500mA	50%
Marbul recessed 2x	500mA	25%
Mini multiple 1x LED GE	500mA	65%
Mini multiple 2x LED GE	500mA	65% *
Mini multiple 3x LED GE	500mA	65% *
Mini multiple 4x LED GE	500mA	65% *
M-LED 111	500mA	38%

	Typical drive current	Emergency light output compared to light output at typical current
Médard 42 semi-recessed LED GE	700mA	47%
Médard 70 semi-recessed LED GE	500mA	38%
Nomad 111 2x LED GE	500mA	38% *
Nomad 111 4x LED GE	500mA	38% *
Qbini (trimless) 1x / Qbini (trimless) 2x	500mA	70%
Qbini (trimless) 3x	500mA	50%
Qbini (trimless) 4x	500mA	35%
Rektor semi-recessed LED GE	500mA	38%
Scotty 270 adjustable LED GE	350mA	43%
Scotty 270 LED GE	500mA	29%
Slide IP54 LED GE	500mA	72%
Smart cake / kup / lotis 48 LED GE	500mA	75%  **
Smart cake / kup / lotis 82 LED GE	500mA	72%
Smart cake / kup / lotis 115 adjustable LED GE	500mA	72%
Smart cake / kup / lotis 115 LED 1100-3000lm GE	500mA	38%
Smart cake / kup / lotis 160 (diffuse) (IP54) LED GE	900mA	25%
Stove LED GE	350mA	50%
(Asy) Wink 115 LED GE	500mA	38%

driver does not fit through cutout hole of fixture

\* when using only one lamp unit per emergency unit

\*\* minimum 4 luminaires in series