

A LUMINAIRE INSTALLATION

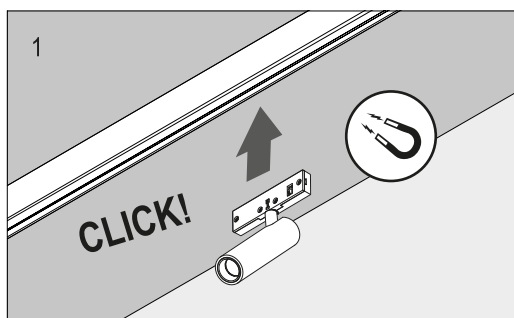
INSTALACIÓN DE LA LUMINARIA / INSTALLAZIONE DELLA LAMPADA /
INSTALLATION DER BELEUCHTUNG / INSTALLATION DU LUMINAIRE /
INSTALAÇÃO DO APARELHO DE ILUMINAÇÃO / 照明器具の設置-据付け /
灯具的安装 / МОНТАЖ ОСВЕТИТЕЛЬНОГО ПРИБОРА /
شامدلدى ОРНАТУ / تركيب وحدة الإنارة

WARNING / ATENCIÓN
Only use with the electrical supply track system:
Usar solo con los siguientes sistemas de carriles eléctricos:

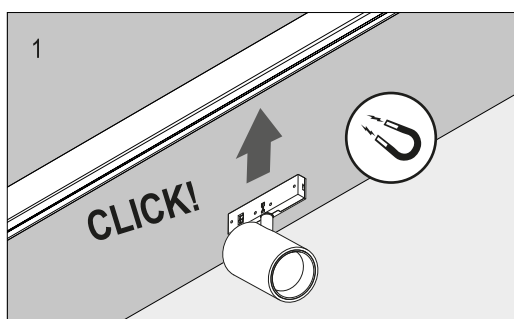
“ Micro Runing Magnet Track System ”

Ref	Product name	Projector total weight	Connector max. Weight supported
03.221X.XX	Nano Spot	0,025 Kg	1,2 Kg
03.222X.XX	Micro Spot	0,030 Kg	1,2 Kg
03.223X.XX	Spot	0,072 Kg	1,2 Kg
03.224X.XX 03.225X.XX	Light Shadow Spot	0,074 Kg	1,2 Kg
03.226X.XX 03.227X.XX	Light Stripe 300 Light Stripe 600 Light Stripe 900 Light Stripe 1200	0,026 Kg 0,050 Kg 0,074 Kg 0,096 Kg	1 Kg 1 Kg 1 Kg 1 Kg
03.228X.XX 03.228X.XX	Light Stripe Wall Washer 300 Light Stripe Wall Washer 600 Light Stripe Wall Washer 900 Light Stripe Wall Washer 1200	0,032 Kg 0,062 Kg 0,092 Kg 0,122 Kg	1 Kg 1 Kg 1 Kg 1 Kg

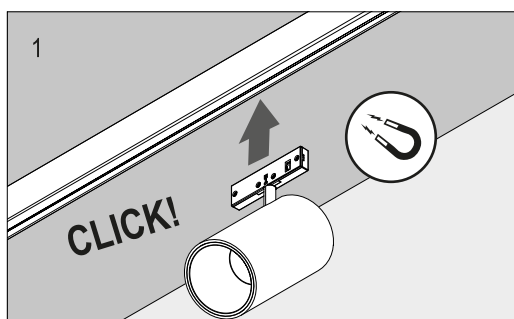
A.1 Nano Spot



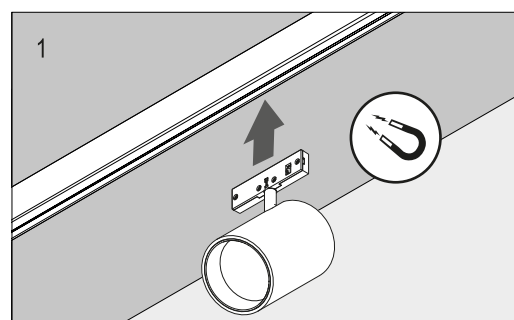
A.2 Micro Spot



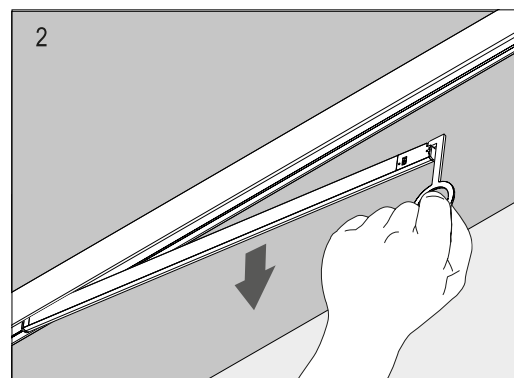
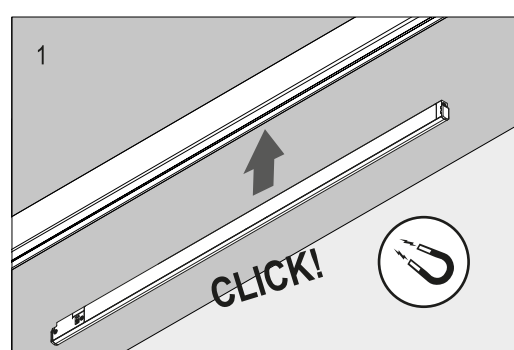
A.3 Light Shadow Spot



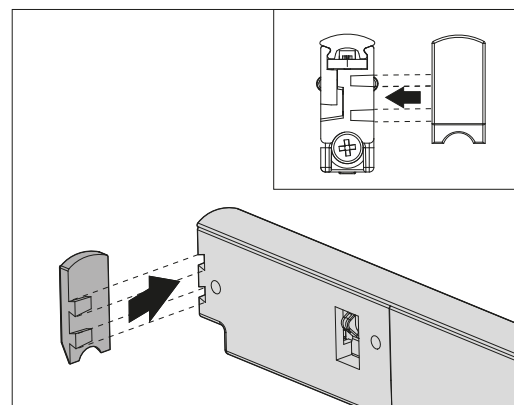
A.4 Spot



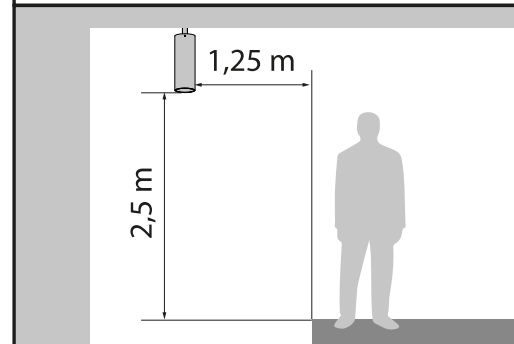
A.5 Light Strip /Light Stripe Wall Washer



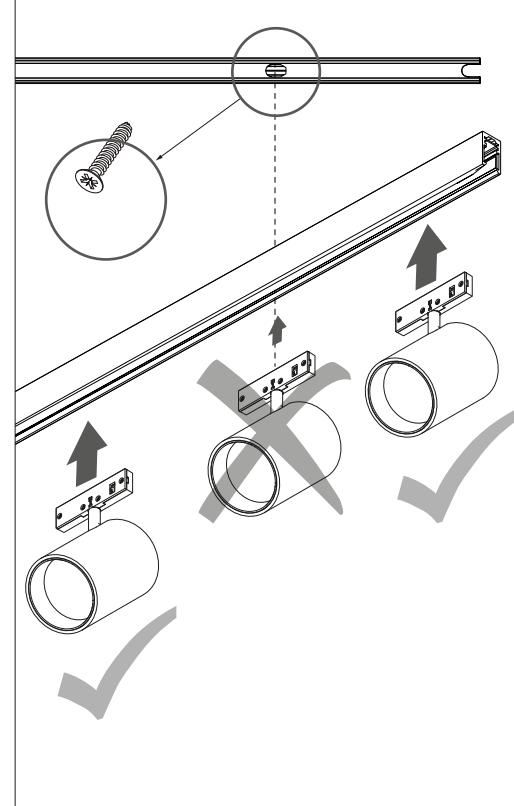
Endcap



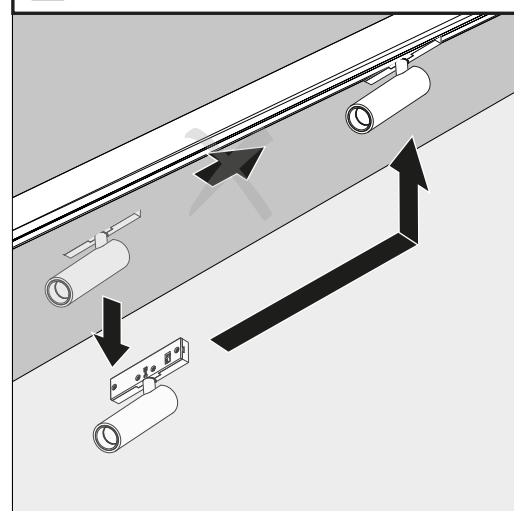
WARNING / ATENCIÓN
Only install out of the volume of accessibility.
Instalar solo fuera del volumen de accesibilidad.



WARNING / ATENCIÓN
Do not install the luminaires under the screws.
No instale las luminarias debajo de los tornillos.



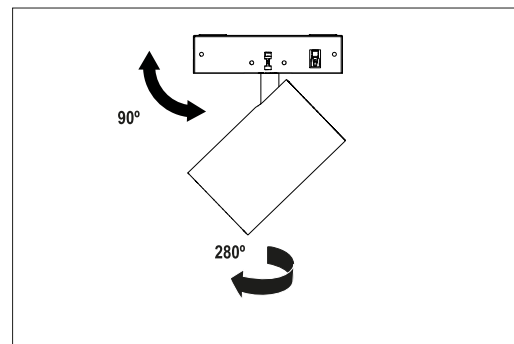
WARNING / ATENCIÓN



B LUMINAIRE TILT ADJUSTMENT

REGULACIÓN DE LA INCLINACIÓN DE LA LUMINARIA / REGOLAZIONE DELL'INCLINAZIONE DEL DISPOSITIVO DI ILLUMINAZIONE /
NEIGUNGSREGLER DER LICHTQUELLE / RÉGLAGE DE L'INCLINAISON DU LUMINAIRE / REGULAÇÃO DA INCLINAÇÃO DA LUMINÁRIA / 照明の角度調節 / 调节照明的倾斜度 / РЕГУЛИРОВКА НАКЛОНА ОСВЕТИТЕЛЬНОГО ПРИБОРА / ШАМДАЛДЫ ЕВКЕЙТУДИ РЕТТЕУ ضبط إمالة المصباح

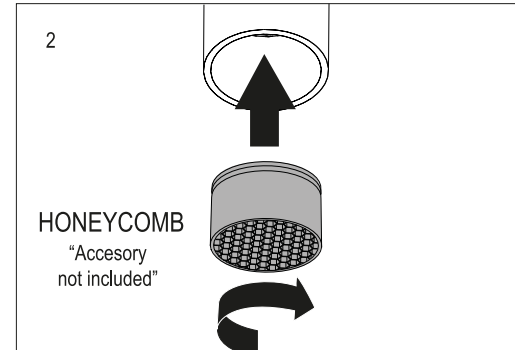
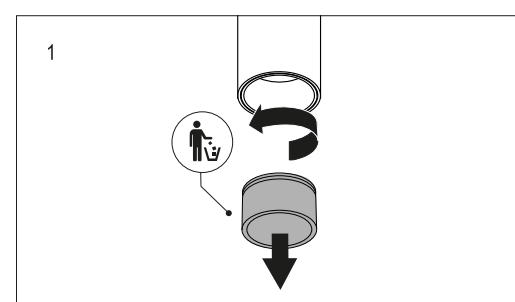
Micro Spot / Nano Spot / Light Shadow Spot / Spot



D ACCESSORIES

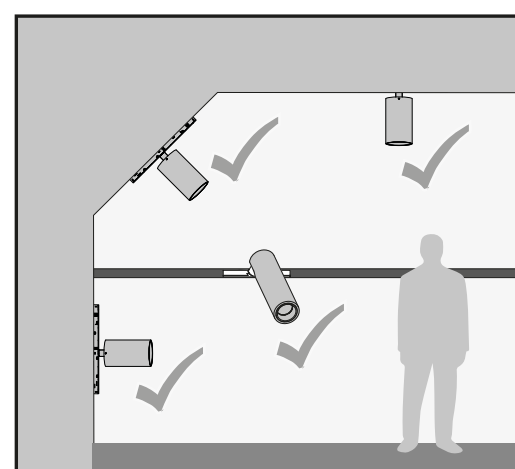
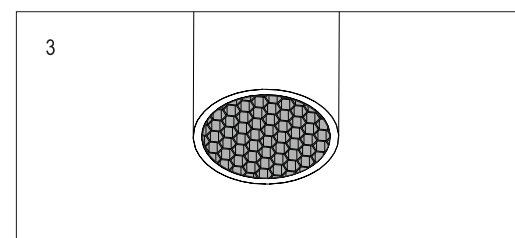
ACCESORIOS / ACCESSORI / ZUBEHÖR / ACCESSOIRES /
ACCESSÓRIOS / アクセサリー / 配件 / АКЦЕССАРИИ /
KEPEK-KAPA@TAP / اقسيسوارات

WARNING / ATENCIÓN
Only for MICRO SPOT & SPOT
Solo para MICRO SPOT & SPOT



ACC.HONEYCOMB MICRO SPOT : REF 08.0190.14
ACC.HONEYCOMB SPOT : REF 08.0191.14

MAX 1 ACCESSORY / MAX 1 ACCESORIO



Ref	Connector max. Weight supported
06.6000.XX 06.6010.XX	1,7 Kg
06.6001.XX 06.6011.XX	2,55 Kg
06.6002.XX 06.6012.XX	3,4 Kg

Dimming method	Dimming range	Dimming adjustment considerations
1-10V Dimming	10 - 100%	10% is the minimum dimming percentage to ensure the right minimum flux of any track luminaire configuration, please, adjust your control to this minimum level.
DALI Dimming	10 - 100%	10% is the minimum dimming percentage to ensure the right minimum flux of any track luminaire configuration, please, adjust your control to this minimum level.
CASAMBI Broadcast Dimming	10 - 100%	The dimming applies to all the luminaires connected to the same controlled driver (Broadcast). The minimum dimming level can be adjusted in the CASAMBI APP. Luminaire properties (double tap on Casambi module) Minimum dim level.

The CASAMBI module has a range in indoor use of up to 30 meters, please be careful not to place it inside a metal casing or near metal objects that may affect radio waves (2.4Ghz).

Product Name	Power consumption	Luminaires per power supply							
		60.9681	60.9682	60.9683	60.9361	60.9360			60.9359
		120W	120W	120W	57 W	45 W @220-277 Vac	45W @277Vac	36W @120Vac	25W @120-277Vac
Nano Spot	2,0 W	51	51	51	24	19	19	15	11
Micro Spot	3,0 W	34	34	34	16	13	13	10	7
Light Shadow	3,0 W	34	34	34	16	13	13	10	7
Spot	6,0 W	17	17	17	8	6	6	5	4
Light Stripe 300	5,0 W	20	20	20	10	8	8	6	4
Light Stripe 600	10,0 W	10	10	10	5	4	4	3	2
Light Stripe 900	15,0 W	7	7	7	3	3	3	2	1
Light Stripe 1200	20,5 W	5	5	5	2	2	2	1	1
Light Stripe WW 300	5,0 W	20	20	20	10	8	8	6	4
Light Stripe WW 600	10,0 W	10	10	10	5	4	4	3	2
Light Stripe WW 900	15,0 W	7	7	7	3	3	3	2	1
Light Stripe WW 1200	20,5 W	5	5	5	2	2	2	1	1
	CE	CE	CE	CE	CE	CE	CE	CULUS	CE-CULUS
	0/1-10V	DALI2	CASAMBI	1-10V	1-10V	1-10V	1-10V	1-10V	1-10V

WARNING / ATENCIÓN

E La luminaria debería colocarse de forma que no se espera una mirada prolongada a la luminaria a una distancia más cercana a X m

GB The luminaire should be positioned so that prolonged staring into the luminaire at a distance of X m, is not expected.

I L'apparecchio dovrà essere collocato in modo che non ci si aspetti uno sguardo prolungato verso l'apparecchio da una distanza di circa x m.

D Die Lampe ist so zu positionieren, dass ein direkter Blick vermieden wird. Dies geschieht durch eine Längspositionierung auf x Metern Distanz.

F Le luminaire doit être positionné de manière à ne pas attendre un regard prolongé vers le luminaire à une distance proche de x mètres.

P A luminária deverá ser posicionada de tal forma que uma pessoa a x metros de distancia não mantenha o olhar prolongado à mesma..

JP 本照明器具は、X mより近い距離から内部を長時間凝視することがない場所に設置してください。

CN 请勿将灯具放置于接近于离视线 X 公尺的距离..

RU Светильник должен располагаться таким образом, чтобы длительное зрительное наблюдение на светильник находилось на расстоянии x м

AR متر X لتجنب انظر الى الإنارة لمدة طويلة، يجب وضع الإنارة على مسافة أقرب من

KZ Узак қарау күтілместей а x м-ға ең жақын дейінгі қашықтықтағы жарық түсіріш құрылғы ораныстырған жөн

Ref.	
03.2241.XX 03.2242.XX 03.2243.XX 03.2246.XX 03.2247.XX 03.2248.XX 03.2240.XX	X = 2,5 M