

# FLOS

F021B28D018 Deep Brown

## Outgraze 50 L 1200 mm Dimmable DALI Deep Brown

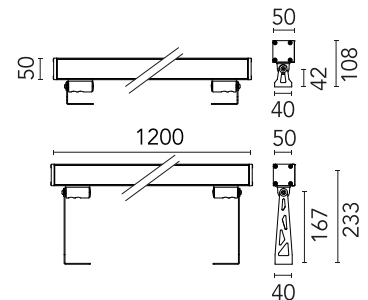
Designed by FLOS Outdoor



Integrated 120/240V power supply. Installation brackets, to be ordered separately.  
Extra clear transparent glass, excluding the DIFFUSE version with sandblasted glass.  
SMART dimmable DALI version available upon request (power 14W - flux -50% lm).  
1-10V dimmable version upon request.

Are you a professional and your project needs consulting and support?

[BOOK AN APPOINTMENT](#)



### Main specifications

|                  |                          |
|------------------|--------------------------|
| Mounting         | Ceiling and wall surface |
| Environments     | Outdoor wet location     |
| LED type         | Power LED                |
| Lamp category    | LED                      |
| Iicos            | No                       |
| Power (W)        | 27                       |
| System flux (lm) | 2739                     |

### Physical

|                         |            |
|-------------------------|------------|
| Colour                  | Deep Brown |
| Trim                    | No         |
| Orientation             | Adjustable |
| Transversal tilting (°) | 180        |
| Length (mm)             | 1200       |
| Net weight (kg)         | 4.31       |
| IP internal             | 66         |

### Download

[Mounting instructions](#) ZIP

### Photometric Files

[LDT / IES](#) ZIP

### Technical Drawings

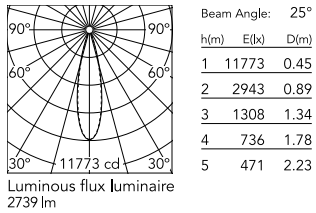
[2D](#) ZIP

[3D](#) ZIP

[Bim](#) ZIP



## Schematic light drawing



## Photometric

|                        |           |
|------------------------|-----------|
| Lighting type          | Direct    |
| Light distribution     | Symmetric |
| CCT (K)                | 2700      |
| CRI>                   | 80        |
| Beam angle C0-180 (°)  | 29        |
| Beam angle C90-270 (°) | 29        |

## Electrical

|                    |                 |
|--------------------|-----------------|
| Insulation class   | I               |
| Frequency (Hz)     | 50-60           |
| Main voltage (Vac) | 120-240         |
| Driver             | Integrated      |
| Dimmable           | Yes             |
| Dimming type       | Dimmable DALI 1 |
| Emergency type     | No              |

## Ecodesign and Energy Labelling

This product contains a light source of energy efficiency class E



Replaceable (LED only) light source by a professional



Replaceable control gear by a professional

## Notes

We recommend using a connection system with a degree of protection greater than or equal to the degree of protection of the luminaire.

During the installation and the maintenance of the fixtures it is important to be careful and avoid damages on the paint coating.

Damages on the coating exposed to outdoor conditions or water, could cause corrosion.

Chemical substances affect the anticorrosion covering protection.

For LED fixtures, there is evidence that most of the damages are connected to electrical effects related to the insulations, which cause destructive electrical discharges

These effects are frequently caused by:

- over voltage coming from the mains' network where fixture is connected.
- electrostatic discharge (ESD) coming from the environment.

The use of a protective device against the overvoltage on the electrical installation is warmly suggest this helps to reduce the intensity of some of these phenomenon and prevent irreversible damages. The selection of the type of device to be used must be adjust on the electrical plant.

## Accessories & Power Supply



REQUIRED  
Accessory

F1204018

One pair of long brackets L 200  
mm. Deep Brown



REQUIRED  
Accessory

F1203018

One pair of short brackets L 80  
mm. Deep Brown



REQUIRED  
Accessory

F021Z040000

Plug&play connector 5 poles



REQUIRED  
Accessory

F021Z060000

5-pole plug&play connector + 5-  
pole cable, 5000 mm length.



REQUIRED  
Accessory

F990C030000

4 way junction box 5 poles IP68  
(6-14 mm cables)