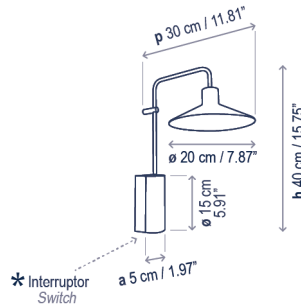


# Platet A/02

Diseño / Design:  
Christophe Mathieu / 2020

Tipología: Aplique  
Typology: Wall lamp

Ambiente: Interior  
Environment: Indoor



## Descripción técnica / Technical description:

Peso Neto: 0,00 kg  
Net Weight: 0,00 kg

1 Caja/Box | 00 x 00 x 00 cm | 0,0000 m<sup>3</sup>  
Peso bruto / Gross Weight: 0,00 kg

Materiales: Aluminio, Latón, Hierro  
Materials: Aluminum, Brass, Iron

Interior de la pantalla en blanco  
White inner lampshade

Personalizable  
Customizable

Certificaciones  
Certifications



## Descripción lámpara / Lamps description:

110-240V  
50/60Hz | IP-20 | 1 x 5 W E-14  
LED P45

Ref	Acabados / Finishing	Ean13
21102001149	Negro Ébano-Teja Ebony Black-Terracotta	8435493736105
21102001148	Negro Ébano-Gris Claro Ebony Black-Light Grey	8435493736099
21102001147	Negro Ébano-Gris Oliva Ebony Black-Olive Grey	8435493736082
21102001153	Negro Ébano-Patiné Ebony Black-Antique Brass	8435493736112

## Descripción lámpara (LED regulable) / Lamps description (Dimmable LED):

230V  
50Hz | IP-20 | TRIAC 4,2W LED / CRI: 90 / 2700°K  
504 lm fuente de luz / light source

Ref	Acabados / Finishing	Ean13
21102013149	LED Regulable Triac - Negro Ébano-Teja Dimmable Triac LED - Ebony Black-Terracotta	8435493735900
21102013148	LED Regulable Triac - Negro Ébano-Gris Claro Dimmable Triac LED - Ebony Black-Light Grey	8435493735894
21102013147	LED Regulable Triac - Negro Ébano-Gris Oliva Dimmable Triac LED - Ebony Black-Olive Grey	8435493735887
21102013153	LED Regulable Triac - Negro Ébano-Patiné Dimmable Triac LED - Ebony Black-Antique Brass	8435493735917

## Descripción lámpara (LED) / Lamps description (LED):

110-240V  
50/60Hz | IP-20 | 4,2W LED / CRI: 90 / 2700°K  
504 lm fuente de luz / light source

Ref	Acabados / Finishing	Ean13
*21102007149	LED Interruptor - Negro Ébano-Teja Switch LED - Ebony Black-Terracotta	8435493736044
*21102007148	LED Interruptor - Negro Ébano-Gris Claro Switch LED - Ebony Black-Light Grey	8435493736020
*21102007147	LED Interruptor - Negro Ébano-Gris Oliva Switch LED - Ebony Black-Olive Grey	8435493736006
*21102007153	LED Interruptor - Negro Ébano-Patiné Switch LED - Ebony Black-Antique Brass	8435493736068

## Family / Familia: Platet



Indoor / Interior

Outdoor / Exterior

**bover**  
barcelona lights

Avda. Catalunya 173  
Poligon Ind. Sud  
08440 Cardedeu  
Barcelona, Spain

T. +34 938 713 152  
F. +34 938 462 089  
info@bover.es  
www.bover.es