

# GUISE

Design by Stefan Diez.

# VIBIA

## Reference

**2262.**

## Application

Wall Lamps

## Installation type

Surface

## Description

Vibia presents a wall lamp that integrates the LED light with the glass and making it pass through in such a way that it becomes invisible and then allowing it to appear out of nowhere.

## Diffuser

Difusor de vidrio borosilicato transparente

## Materials

Profile: Aluminum

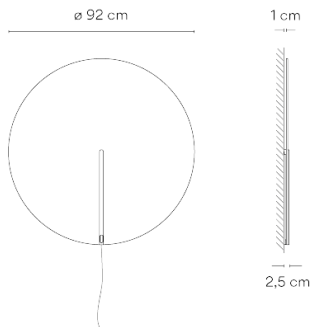
Diffuser: Borosilicate glass

## Finish



**2262-18** Matt graphite lacquer (ADAPTA RF 9913 WX)

## Sketch



## Electrical characteristics



**Led** 3000K CRI >90 1504 lm 87 lm/W

**Fixture:** 897.91 lm 40.45 lm/W

**Driver included:** CC - Constant Current 100-240V 50/60Hz

**Electronic dimming** OPTICAL SENSOR

## Physical characteristics

1 Box / 0.00 x 0.00 x 0.00 m. / Vol. 0.1161 m<sup>3</sup> /

Gross weight 16.5 kg. / Net weight 11.5 kg.

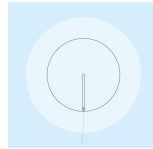
## Installation and assembly

Please, see the installation manual

## Light distribution

### General lighting

Lamp for general lighting that equally distributes the light in all directions.



## Photometric data

Efficiency : 1

Coordinate system : CG

Total flux : 897.91 lm

Maximum value : 188.65 cd/klm

Light position : C=0.00 G=85.00

Isolux : Isolux (Floor)

Light position :

X=0.00m Y=0.00m Z=2.50m

## Certificates

