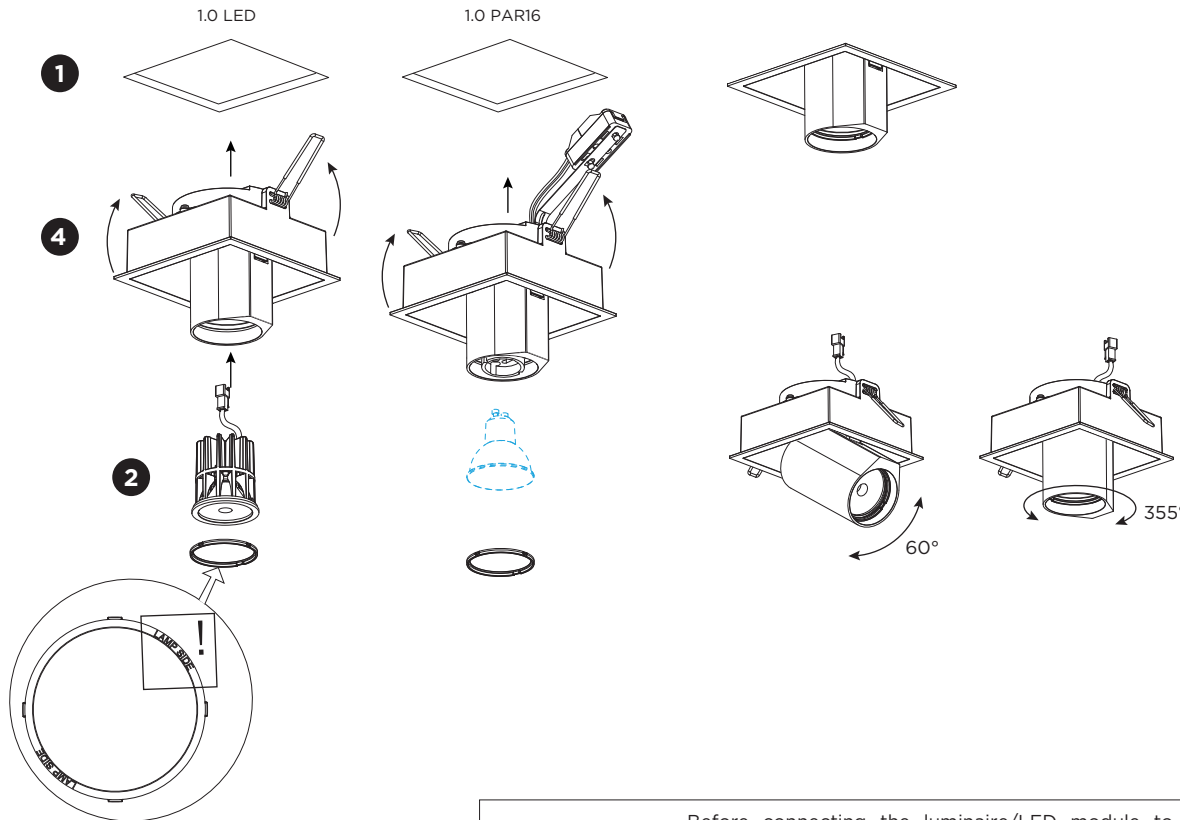


BLIEK SQUARE

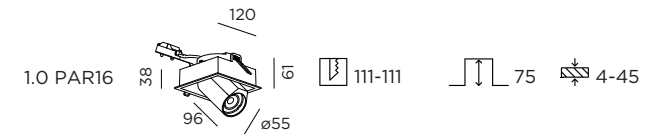
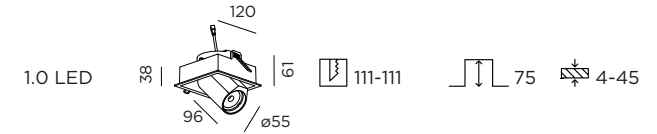
INSTALLATION INSTRUCTIONS | NOVEMBER 2022



Warning: Driver must be powered off before connecting cables.

Before connecting the luminaire/LED module to the driver please make sure the driver is not powered but disconnected from the mains. The driver can only be powered when the luminaire/LED module is already connected. Disregarding this instruction might damage or even destroy the luminaire/LED module.

DIMENSIONS



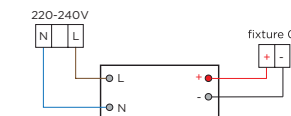
MOUNTING INSTRUCTION

- 1 Make a hole in the ceiling according to the prescribed dimensions.
- 2 Place the LED module or lamp in the fixture by fixing it with the spring clip.

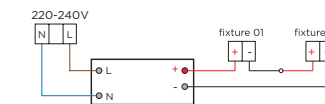
3 POWER CONNECTION

LED Always use a driver according to the specifications of the LED module.

Single connection



Multiple connection



PAR16

Single connection



Multiple connection

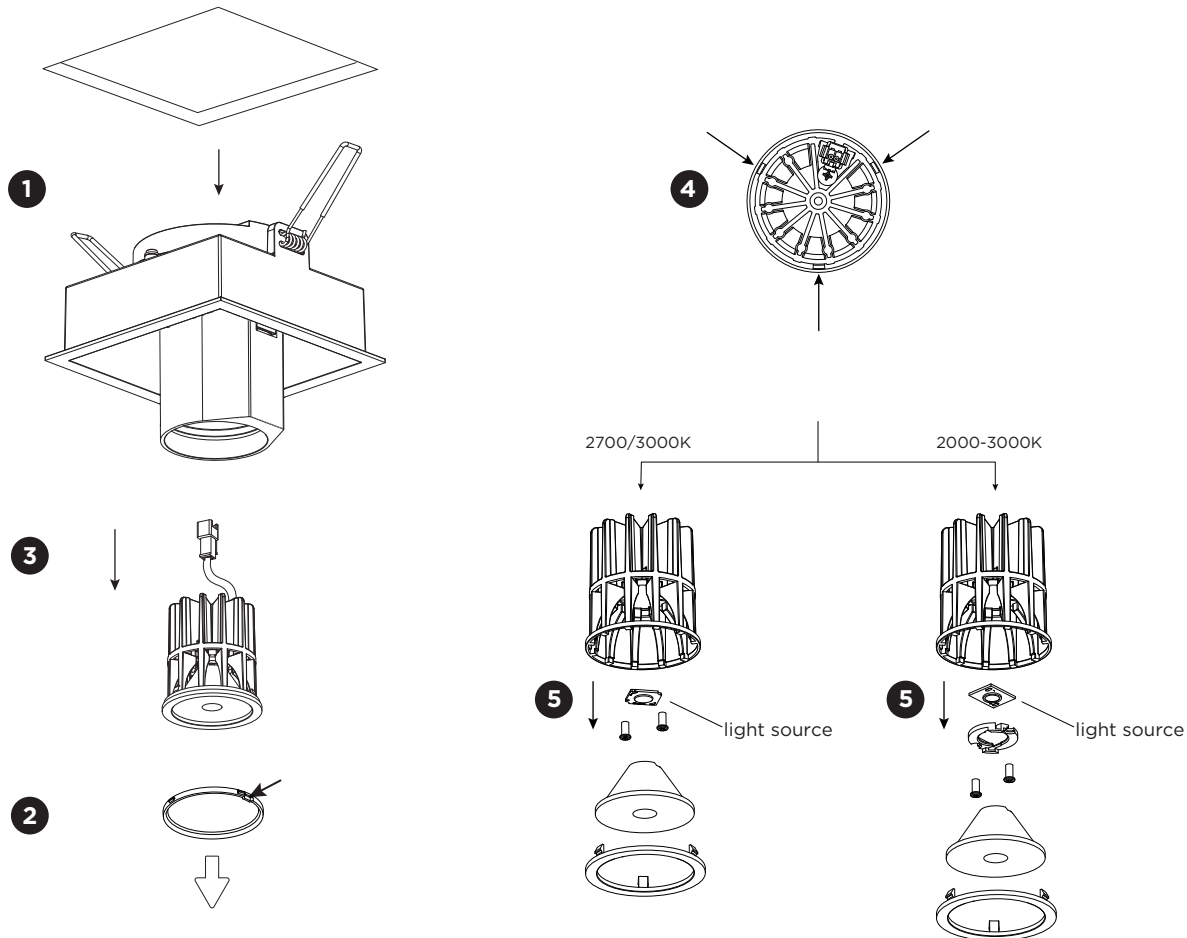


- 3 Push the springs upwards and insert the fixture in the ceiling hole.

PB19-010-674-00_V2

BLIEK SQUARE

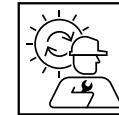
INSTALLATION INSTRUCTIONS | NOVEMBER 2022



DISMOUNTING INSTRUCTION only for 1.0 LED

Light source

- 1** Take the luminaire out of the ceiling hole and unplug the connector.
- 2** Push in the slot of the spring clip and pull it down.
- 3** Remove the LED module from the luminaire.
- 4** Push at the three points to loosen the front ring.
- 5** Take out the lens and unscrew the holder or light source to remove it.



The light source is replaceable by an authorized professional.
For advice contact your Wever & Ducré customer service contact point.



This luminaire contains a light source with the energy class D.