

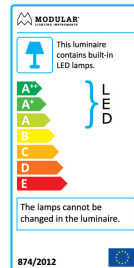
MARBUL TRACK MARBUL SUSPENSION TRACK LED WARM DIM CASAMBI GI

230V tracks are a top pick for retail and hospitality spaces because of their flexibility and versatility. Adding Marbul's soft, organic shape to your track will give a different style and feel to your expression. A welcome feature will also be Marbul's compatibility with DALI and Casambi systems, bringing smart lighting to your project.

Art. Nr. 13501832

SPECIFICATIONS

Lamp	1x LED Array 12W
Gear / Transfo	LED gear incl.
Weight	1.32kg
Min. distance	0.1 m
Power supply	230V
IP	IP20
Glow wire test	960°
Lifetime	L80 B20 @ 50.000 hrs
CRI	90
CIE flux code	100/100/100/100/94
Luminaire power	14.5W
Lumen	955 Lm
Efficacy	66 Lm/W
UGR	14
Adjustability	Not Applicable
Remark	! must be combined with magnetic reflector



Available label
<http://supemodular.com/assets/TYPE2.pdf>

	WARM WHITE 1800K - 3000K / CRI 90+
black struc	13501832
white struc	13501809



MARBUL TRACK MARBUL SUSPENSION TRACK LED WARM DIM CASAMBI GI

ACCESSORIES

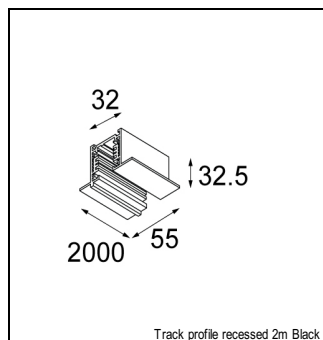
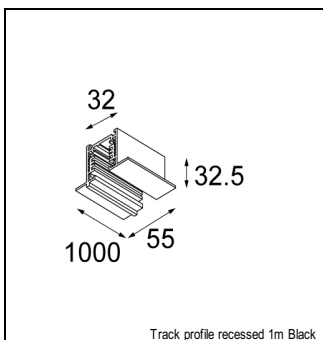
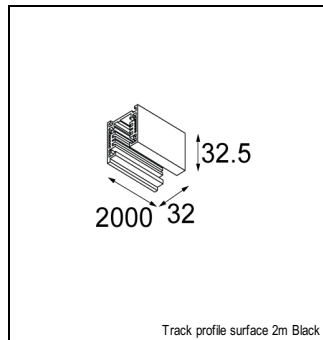
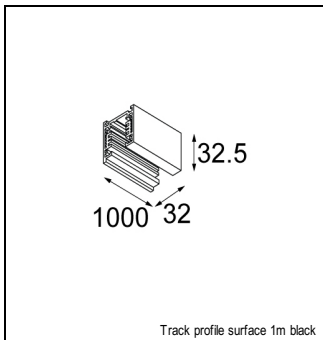
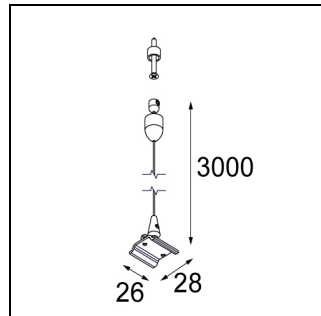
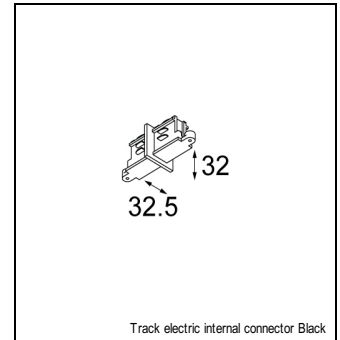
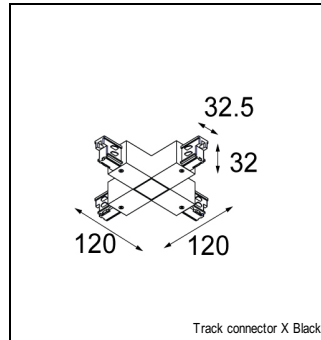
TRACK

11242202	TRACK PROFILE SURFACE 1M BLACK
11242201	TRACK PROFILE SURFACE 1M SHWH
11240102	TRACK PROFILE SURFACE 2M BLACK
11240101	TRACK PROFILE SURFACE 2M SHWH
11242402	TRACK PROFILE RECESSED 1M BLACK
11242401	TRACK PROFILE RECESSED 1M SHWH
11240302	TRACK PROFILE RECESSED 2M BLACK
11240301	TRACK PROFILE RECESSED 2M SHWH
11241930	TRACK PROFILE RECESSED INST BRACKET
11240602	TRACK POWER FEED SURFACE LEFT BLACK
11240601	TRACK POWER FEED SURFACE LEFT SHWH
11240502	TRACK POWER FEED SURFACE RIGHT BLACK
11240501	TRACK POWER FEED SURFACE RIGHT SHWH
11241702	TRACK POWER FEED RECESSED LEFT BLACK
11241701	TRACK POWER FEED RECESSED LEFT SHWH
11241602	TRACK POWER FEED RECESSED RIGHT BLACK
11241601	TRACK POWER FEED RECESSED RIGHT SHWH
11241402	ENDPLATE TRACK BLACK
11241401	ENDPLATE TRACK WHITE SHINY
11240702	TRACK CONNECTOR 180° SURFACE BLACK
11240701	TRACK CONNECTOR 180° SURFACE SHWH
11240802	TRACK CONNECTOR 90° INSIDE BLACK
11240801	TRACK CONNECTOR 90° INSIDE SHWH
11240902	TRACK CONNECTOR 90° OUTSIDE BLACK
11240901	TRACK CONNECTOR 90° OUTSIDE SHWH
11242002	TRACK CONNECTOR 90° RECESSED INSIDE BLACK
11242001	TRACK CONNECTOR 90° REC INSIDE SHWH
11242102	TRACK CONNECTOR 90° RECESSED OUTSIDE BLACK
11242101	TRACK CONNECTOR 90° REC OUTSIDE SHWH
11241302	TRACK CONNECTOR FLEXIBLE BLACK

ACCESSORIES

TRACK

11241301	TRACK CONNECTOR FLEXIBLE SHWH
11241102	TRACK CONNECTOR T LEFT BLACK
11241101	TRACK CONNECTOR T LEFT SHWH
11241002	TRACK CONNECTOR T RIGHT BLACK
11241001	TRACK CONNECTOR T RIGHT SHWH
11241202	TRACK CONNECTOR X BLACK
11241201	TRACK CONNECTOR X SHWH
11241502	TRACK ELECTRIC INTERNAL CONNECTOR BLACK
11241501	TRACK ELECTRIC INTERNAL CONN SHWH
11241802	TRACK SUSPENSION KIT 3M BLACK
11241801	TRACK SUSPENSION KIT 3M SHWH



MARBUL TRACK MARBUL SUSPENSION TRACK LED WARM DIM CASAMBI GI

REQUIRED PARTS

REFLECTOR-MAGNETIC

10216830	MAGNETIC REFLECTOR Ø82 LED 10° ALU
10217130	MAGNETIC REFLECTOR Ø82 LED 25° ALU
10217430	MAGNETIC REFLECTOR Ø82 LED 40° ALU
10216930	MAGNETIC REFLECTOR Ø82 LED 10° CHAMPAGNE
10217230	MAGNETIC REFLECTOR Ø82 LED 25° CHAMPAGNE
10217530	MAGNETIC REFLECTOR Ø82 LED 40° CHAMPAGNE
10217030	MAGNETIC REFLECTOR Ø82 LED 10° GOLD
10217330	MAGNETIC REFLECTOR Ø82 LED 25° GOLD
10217630	MAGNETIC REFLECTOR Ø82 LED 40° GOLD

