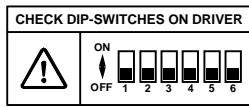


Marcel 3xLED GE

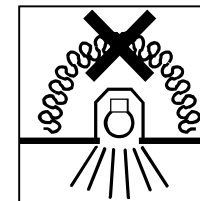
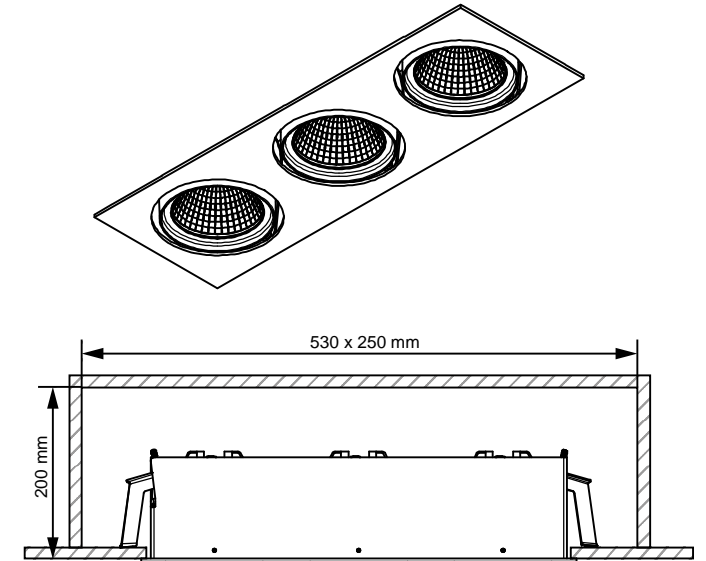
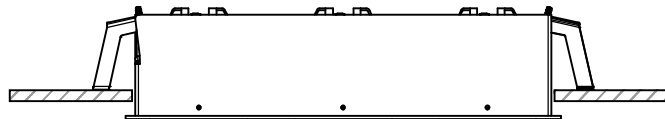
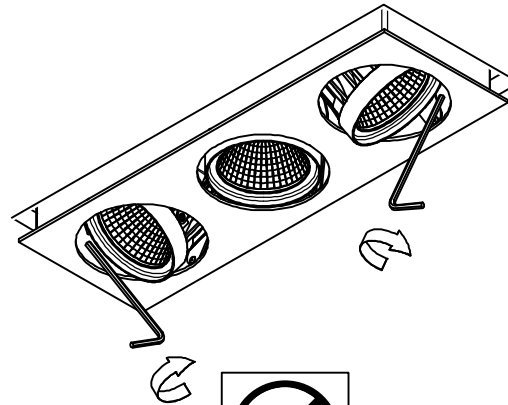
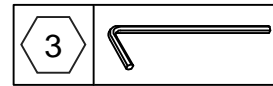
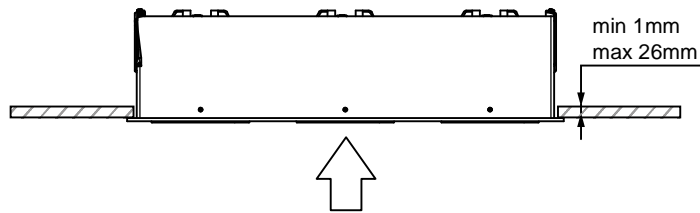
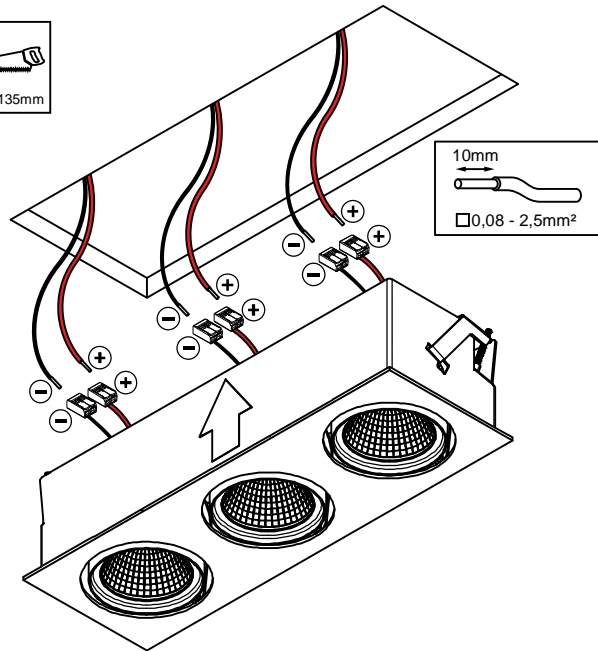
140930XX_140931XX_140932XX_140933XX_140934XX_140935XX



Drive Current (mA)	Forward Voltage		Power (W)
	min (Vf)	max (Vf)	
350	30,9	35,7	11,7
500	31,9	36,8	17,2
600	32,5	37,5	21,0
700	33,2	38,3	25,0

For serial connection, respect polarity!

+	RED	-	BLACK
---	-----	---	-------



PREVENTING ELECTROSTATIC DAMAGE

A discharge of static electricity may damage sensitive components. Always be properly grounded when touching leads or circuitry inside the luminaire. Use a wrist strap connected by a ground cord to the housing. Avoid touching the light sources with bare hands.

Install luminaire out of reach. The light source contained in this luminaire shall only be replaced by the manufacturer or his service agent or a similar qualified person.

CAN BE USED WITH
Drivers:
see driver matrix - latest version on website
www.supermodular.com or check sales contact

