

front

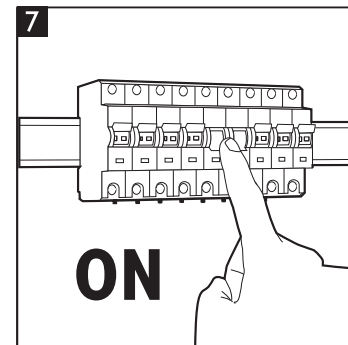
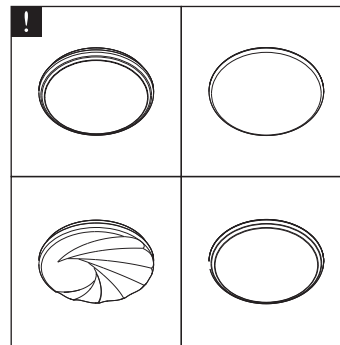
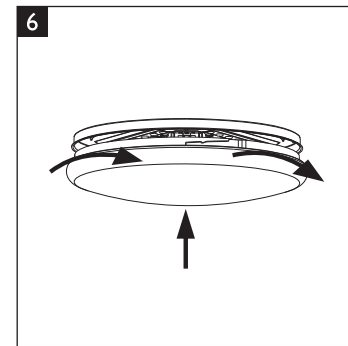
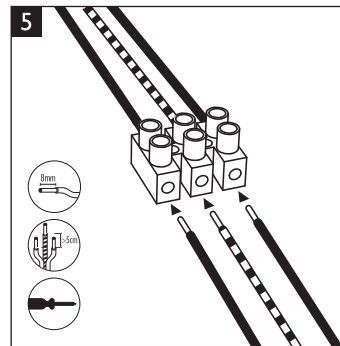
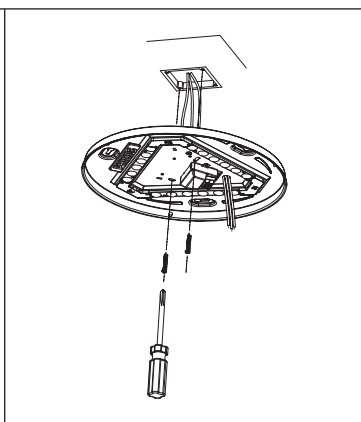
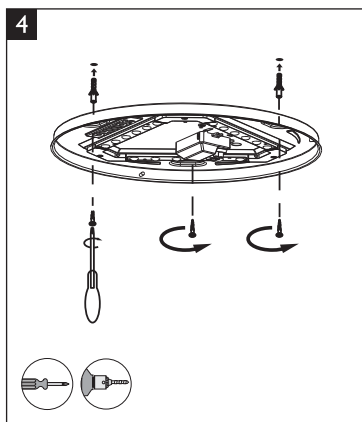
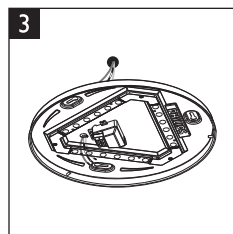
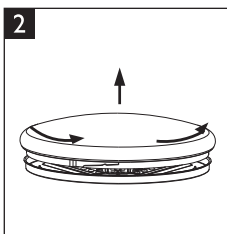
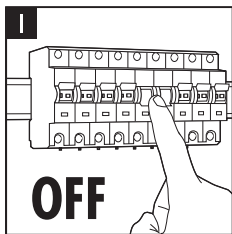
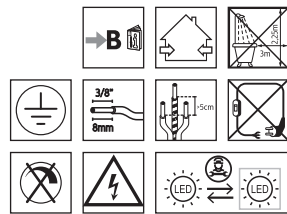
back

PHILIPS

Moire CL200

Shore CL202

Twirly CL254



E 9150057789 9150057742 9150057765 318158717 318153117
318148716 318143116 318148717 318143117

F 9150057788 9290026221 9290025510 318158716 318153116

Philips and the Philips shield emblem are registered trademarks of Koninklijke Philips N.V.

Signify
I.B.R.S. / C.C.R.I. Numéro 10461
5600 VB Eindhoven, the Netherlands
www.philips.com/lighting

Signify Commercial UK Limited
Unit 3, Guildford Business Park,
Guildford, Surrey, GU2 8XG, UK



© 2021 Signify Holding
@ignify

3241 657 49722
Last update: 04/15/21

size: 105mmx148mm