

Driver matrix - non dimmable

(number of products allowed per driver)

NON-DIM		12400730		12403730		12408830		12403430			
		non dim		non dim		non dim		non dim			
		Dimensions (LxWxH)		115x34x19		115x34x19		42x20		124x79x22	
		min. cutout hole		40		40		43		84	
		Number of LED output channels		1		1		1		1	
Max drivers on MCB 16A type B		27		27		75		15			
FIXTURE	mA	min	max	min	max	min	max	min	max		
Chapeau 206 LED GE	350	-	-	1	1	-	-	1	2		
	500	-	-	-	-	-	-	1	2		
Dent large LED GE	350	-	-	-	-	-	-	1	1		
Dent medium LED GE	350	-	-	-	-	-	-	1	1		
Dent small LED GE	350	-	-	1	1	1	1	1	3		
Duell recessed 1x LED GE	350	-	-	1	2	-	-	1	3		
	500	1	1	-	-	-	-	1	3		
Duell recessed 2x LED GE	350	-	-	1/2	1	-	-	1/2	1		
	500	1/2	1/2	-	-	-	-	1/2	1		
Hipy 110 IP67 LED GE	350	-	-	1	2	-	-	1	3		
	500	1	1	-	-	-	-	1	3		
Hipy 70 IP67 LED GE	350	-	-	1	4	-	-	1	7		
	500	-	-	1	2	-	-	1	4		
Hollow 115 Trimless LED GE	350	-	-	1	2	-	-	1	3		
	500	1	1	-	-	-	-	1	3		
Hollow 125 LED GE	350	-	-	1	2	-	-	1	4		
	500	1	1	-	-	-	-	1	3		
Julien IP54 LED GE	350	-	-	1	3	-	-	1	5		
	350	-	-	1	1	-	-	1	2		
K120 Adjustable LED GE	500	-	-	-	-	-	-	1	1		
	700	-	-	-	-	-	-	1	1		
K72 IP54 LED GE	350	-	-	1	2	-	-	1	3		
	500	1	1	-	-	-	-	1	3		
K77 adjustable LED GE	350	-	-	1	2	-	-	1	3		
	500	1	1	-	-	-	-	1	3		
Kurk IP40 LED GE	350	-	-	1	2	-	-	1	3		
	500	1	1	-	-	-	-	1	3		
Kurk Surface IP40 GE	700	-	-	-	-	-	-	1	3		
	350	-	-	1	2	-	-	1	3		
Kurk Surface IP40 GE	500	1	1	-	-	-	-	1	3		
	700	-	-	-	-	-	-	1	3		
Lotis 82 (concrete) LED GE	350	-	-	1	2	-	-	1	3		
	500	1	1	-	-	-	-	1	3		
Lotis 86 IP55 LED GE	350	-	-	1	2	-	-	1	3		
	500	1	1	-	-	-	-	1	3		
Lotis 97 (concrete) adjustable LED GE	350	-	-	1	2	-	-	1	3		
	500	1	1	-	-	-	-	1	3		
Lotis Square (IP55) LED GE	350	-	-	1	2	-	-	1	3		
	500	1	1	-	-	-	-	1	3		
Marbul recessed 1x LED GE	350	-	-	1	2	-	-	1	3		
	500	1	1	-	-	-	-	1	3		
Marbul recessed 2x LED GE	350	-	-	1/2	1	-	-	1/2	1		
	500	1/2	1/2	-	-	-	-	1/2	1		
Marbul recessed WarmDim 1x LED GE	350	-	-	-	-	-	-	-	-		
Marbul recessed WarmDim 2x LED GE	350	-	-	-	-	-	-	-	-		
Marbul suspension (adjustable) LED GE	350	-	-	1	2	-	-	1	3		
	500	1	1	-	-	-	-	1	3		
Marbul suspension (adjustable) WarmDim LED GE	350	-	-	-	-	-	-	-	-		
Marbul suspension (adjustable) WarmDim LED GE	350	-	-	-	-	-	-	-	-		
Marcel 1x LED GE	350	-	-	1	1	-	-	1	2		
	500	-	-	-	-	-	-	1	1		
Marcel 2x LED GE	700	-	-	-	-	-	-	1	1		
	350	-	-	1/2	1/2	-	-	1/2	1		
Marcel 3x LED GE	500	-	-	-	-	-	-	1/2	1/2		
	700	-	-	-	-	-	-	1/2	1/2		
Médard 42 recessed LED GE	350	-	-	1/3	1/3	-	-	1/3	1/3		
	500	-	-	-	-	-	-	1/3	1/3		
Médard 42 recessed LED GE	700	-	-	-	-	-	-	1/3	1/3		
	350	-	-	1	4	-	-	1	7		
Médard 42 recessed WarmDim LED GE	500	1	2	-	-	-	-	1	7		
	350	-	-	-	-	-	-	-	-		
Médard 42 semi-recessed LED GE	350	-	-	1	2	-	-	1	3		
	500	1	1	-	-	-	-	1	3		
Médard 42 semi-recessed LED GE	700	-	-	-	-	-	-	1	3		

Driver matrix - non dimmable

(number of products allowed per driver)

NON-DIM		12400730		12403730		12408830		12403430	
		non dim		non dim		non dim		non dim	
Dimensions (LxWxH)		115x34x19		115x34x19		42x20		124x79x22	
min. cutout hole		40		40		43		84	
Number of LED output channels		1		1		1		1	
Max drivers on MCB 16A type B		27		27		75		15	
FIXTURE	mA	min	max	min	max	min	max	min	max
Médard 42 semi-recessed WarmDim LED GE	350	-	-	-	-	-	-	-	-
	350	-	-	1	2	-	-	1	3
Médard 70 recessed LED GE	500	1	1	-	-	-	-	1	3
	700	-	-	-	-	-	-	1	3
Médard 70 recessed WarmDim LED GE	350	-	-	-	-	-	-	-	-
Médard 70 semi-recessed LED GE	350	-	-	1	1	-	-	1	2
	500	-	-	-	-	-	-	1	2
Médard 70 semi-recessed WarmDim LED GE	350	-	-	-	-	-	-	-	-
Médard 70 stretched semi-recessed 1X LED GE	350	-	-	1	1	-	-	1	2
	500	-	-	-	-	-	-	1	2
Médard 70 stretched semi-recessed 2X LED GE	350	-	-	1/2	1/2	-	-	1/2	1
	500	-	-	-	-	-	-	1/2	1
Médard 70 stretched semi-recessed warm dim 1X LED GE	350	-	-	-	-	-	-	-	-
Médard 70 stretched semi-recessed warm dim 2X LED GE	350	-	-	-	-	-	-	-	-
Mini-multiple 1x LED GE	350	-	-	1	2	-	-	1	3
	500	1	1	-	-	-	-	1	3
Mini-multiple 2x LED GE	350	-	-	1/2	1	-	-	1/2	1
	500	1/2	1/2	-	-	-	-	1/2	1
Mini-multiple 3x LED GE	350	-	-	1/3	1/2	-	-	1/3	1
	500	1/3	1/3	-	-	-	-	1/3	1
Mini-multiple 4x LED GE	350	-	-	1/4	1/2	-	-	1/4	1/2
	500	1/4	1/4	-	-	-	-	1/4	1/2
Minude 45 ceiling recessed adjustable LED GE	350	-	-	1	2	-	-	1	3
Minude 45 ceiling recessed adjustable LED GE	500	1	1	-	-	-	-	1	3
M-LED 050 GE	350	-	-	1	2	-	-	1	3
	500	1	1	-	-	-	-	1	3
M-LED 050 WarmDim GE	350	-	-	-	-	-	-	-	-
M-LED 070 GE	350	-	-	1	2	-	-	1	3
	500	1	1	-	-	-	-	1	3
M-LED 070 WarmDim GE	350	-	-	-	-	-	-	-	-
M-LED 111 GE	350	-	-	1	1	-	-	1	2
	500	-	-	-	-	-	-	1	2
	700	-	-	-	-	-	-	1	1
Nomad 111 2x LED GE	350	-	-	1/2	1/2	-	-	1/2	1
	500	-	-	-	-	-	-	1/2	1
	700	-	-	-	-	-	-	1/2	1/2
Nomad 111 4x LED GE	350	-	-	1/4	1/4	-	-	1/4	1/2
	500	-	-	-	-	-	-	1/4	1/2
	700	-	-	-	-	-	-	1/4	1/4
Nomad 2xLED AR 111	500	-	-	-	-	-	-	1	1
Nomad 4xLED AR 111	1050	-	-	-	-	-	-	1	1
Pupil LED GE	350	-	-	1	4	-	-	1	7
	500	1	2	-	-	-	-	1	7
Pupil WarmDim LED GE	700	-	-	-	-	-	-	1	7
	350	-	-	-	-	-	-	-	-
Obini fix/adjustable/asy 1x LED GE	350	-	-	1	4	-	-	1	7
	500	1	2	-	-	-	-	1	7
Obini fix/adjustable/asy 2x LED GE	350	-	-	1/2	2	-	-	1/2	3
	500	1/2	1	-	-	-	-	1/2	3
Obini fix/adjustable/asy 3x LED GE	350	-	-	1/3	1	-	-	1/3	2
	500	1/3	1/2	-	-	-	-	1/3	2
Obini fix/adjustable/asy 4x LED GE	350	-	-	1/4	1	-	-	1/4	1
	500	1/4	1/2	-	-	-	-	1/4	1
Obini fix/adjustable/asy trimless 1x LED GE	350	-	-	1	4	-	-	1	7
	500	1	2	-	-	-	-	1	7
Obini fix/adjustable/asy trimless 2x LED GE	350	-	-	1/2	2	-	-	1/2	3
	500	1/2	1	-	-	-	-	1/2	3
Obini fix/adjustable/asy trimless 3x LED GE	350	-	-	1/3	1	-	-	1/3	2
	500	1/3	1/2	-	-	-	-	1/3	2
Obini fix/adjustable/asy trimless 4x LED GE	350	-	-	1/4	1	-	-	1/4	1
	500	1/4	1/2	-	-	-	-	1/4	1
Obini fix/adjustable/asy trimless WarmDim 1x LED GE	250	-	-	-	-	-	-	-	-
Obini fix/adjustable/asy trimless WarmDim 2x LED GE	250	-	-	-	-	-	-	-	-

Driver matrix - non dimmable

(number of products allowed per driver)

NON-DIM	12400730		12403730		12408830		12403430			
	non dim		non dim		non dim		non dim			
	Dimensions (LxWxH)		115x34x19		115x34x19		42x20		124x79x22	
	min. cutout hole		40		40		43		84	
	Number of LED output channels		1		1		1		1	
Max drivers on MCB 16A type B		27		27		75		15		
FIXTURE	mA	min	max	min	max	min	max	min	max	
Qbini fix/adjustable/asy trimless WarmDim 3x LED GE	250	-	-	-	-	-	-	-	-	
Qbini fix/adjustable/asy trimless WarmDim 4x LED GE	250	-	-	-	-	-	-	-	-	
Qbini fix/adjustable/asy WarmDim 1x LED GE	250	-	-	-	-	-	-	-	-	
Qbini fix/adjustable/asy WarmDim 2x LED GE	250	-	-	-	-	-	-	-	-	
Qbini fix/adjustable/asy WarmDim 3x LED GE	250	-	-	-	-	-	-	-	-	
Qbini fix/adjustable/asy WarmDim 4x LED GE	250	-	-	-	-	-	-	-	-	
Obini general 2X LED GE	350	-	-	1	3	-	-	1	5	
	500	1	1	-	-	-	-	1	5	
Obini general 4X LED GE	350	-	-	1/2	1	-	-	1/2	2	
	500	1/2	1/2	-	-	-	-	1/2	2	
Rektor Recessed LED GE	350	-	-	1	1	-	-	1	2	
	500	-	-	-	-	-	-	1	2	
Rektor Recessed WarmDim LED GE	350	-	-	-	-	-	-	-	-	
Scotty 270 adjustable LED GE	350	-	-	1	1	-	-	1	2	
Scotty 270 LED GE	350	-	-	1	1	-	-	1	2	
	500	-	-	-	-	-	-	1	1	
Shelby 176 trimless LED GE	350	-	-	1	2	-	-	-	4	
	500	1	1	-	-	-	-	1	3	
Shelby 176 trimless WarmDim LED GE	350	-	-	-	-	-	-	-	-	
Shelby 184 LED GE	350	-	-	1	2	-	-	1	4	
	500	1	1	-	-	-	-	1	3	
Shelby 184 WarmDim LED GE	350	-	-	-	-	-	-	-	-	
Slide IP54 LED GE	350	-	-	1	2	-	-	1	3	
	500	1	1	-	-	-	-	1	3	
Smart Cake / Kup / Lotis / (asy) 48 (IP54) LED GE	350	-	-	1	14	-	-	1	23	
	500	1	8	-	-	-	-	1	23	
Smart Cake / Kup / Lotis / (asy) 48 WarmDim (IP55) LED GE	250	-	-	-	-	-	-	-	-	
Smart Cake / Kup / Lotis /+ (asy) 48 (IP54) LED GE	350	-	-	1	4	-	-	1	7	
	500	1	2	-	-	-	-	1	7	
Smart Cake / Kup / Lotis 82 (adjustable) WarmDim LED GE (IP54)	350	-	-	-	-	-	-	-	-	
	350	-	-	1	2	-	-	1	3	
Smart Cake / Kup / Lotis 82 (IP54) LED GE	500	1	1	-	-	-	-	1	3	
	700	-	-	-	-	-	-	1	3	
Smart Cake / Kup / Lotis 82 adjustable LED GE	350	-	-	1	2	-	-	1	3	
	500	1	1	-	-	-	-	1	3	
Smart Cake / Kup / Lotis 115 adjustable LED GE	350	-	-	1	2	-	-	1	3	
	500	1	1	-	-	-	-	1	3	
	700	-	-	-	-	-	-	1	3	
Smart Cake / Kup / Lotis 115 adjustable WarmDim LED GE	350	-	-	-	-	-	-	-	-	
	350	-	-	1	1	-	-	1	2	
Smart Cake / Kup / Lotis 115 (diffuse) (IP54) LED GE	500	-	-	-	-	-	-	1	2	
	700	-	-	-	-	-	-	1	1	
	900	-	-	-	-	-	-	1	1	
	1050	-	-	-	-	-	-	1	1	
	1200	-	-	-	-	-	-	-	-	
	1400	-	-	-	-	-	-	-	-	
Stove LED GE	350	-	-	1	1	-	-	1	2	
	500	-	-	-	-	-	-	1	2	
Thimble 70 trimless (adjustable) LED GE	350	-	-	1	2	-	-	1	3	
	500	1	1	-	-	-	-	1	3	
Thimble 74 (adjustable) LED GE	350	-	-	1	2	-	-	1	3	
	500	1	1	-	-	-	-	1	3	
Wink 82 LED GE	350	-	-	1	2	-	-	1	3	
	500	1	1	-	-	-	-	1	3	
	350	-	-	1	1	-	-	1	2	
Wink 115 LED GE	500	-	-	-	-	-	-	1	2	
	700	-	-	-	-	-	-	1	1	

Driver matrix - mains dimmable

(number of products allowed per driver)

TRAILING/LEADING EDGE (MAINS DIMMING)		12404830		12404930		12407230		12404230		12404330		12408530		12400330		12405730	
		MAINS		MAINS		MAINS		MAINS		MAINS		MAINS		MAINS/PUSH		MAINS/PUSH	
Dimensions (LxWxH)		102x38x21		102x38x21		102x38x21		111x52x22		111x52x22		111x52x22		166x46x34		163x83x35	
min. cutout hole		42		42		42		54		54		54		56		88	
Number of LED output channels		1		1		1		1		1		1		1		1	
Max drivers on MCB 16A type B		50		50		50		50		50		50		50		30	
FIXTURE	mA	min	max	min	max	min	max	min	max	min	max	min	max	min	max	min	max
Chapeau 206 LED GE	350	-	-	-	-	-	-	1	1	-	-	-	-	1	1	-	-
	500	-	-	-	-	-	-	-	-	1	1	-	-	1	1	-	-
Dent large LED GE	350	-	-	-	-	-	-	1	1	-	-	-	-	-	-	-	-
Dent medium LED GE	350	-	-	-	-	-	-	1	1	-	-	-	-	-	-	-	-
Dent small LED GE	350	1	1	-	-	-	-	2	2	-	-	-	-	1	2	-	-
Duell recessed 1x LED GE	350	1	1	-	-	-	-	2	2	-	-	-	-	1	2	-	-
	500	-	-	1	1	-	-	-	-	1	2	-	-	1	2	-	-
Duell recessed 2x LED GE	350	1/2	1/2	-	-	-	-	1	1	-	-	-	-	1/2	1	-	-
	500	-	-	1/2	1/2	-	-	-	-	1/2	1	-	-	1/2	1	-	-
Hipy 110 IP67 LED GE	350	1	1	-	-	-	-	2	2	-	-	-	-	1	2	-	-
	500	-	-	1	1	-	-	-	-	1	2	-	-	1	2	-	-
Hipy 70 IP67 LED GE	350	2	2	-	-	-	-	3	5	-	-	-	-	1	4	-	-
	500	1	1	-	-	-	-	2	2	-	-	-	-	1	2	-	-
Hollow 115 Trimless LED GE	350	1	1	-	-	-	-	2	2	-	-	-	-	1	2	-	-
	500	-	-	1	1	-	-	-	-	1	2	-	-	1	2	-	-
Hollow 125 LED GE	350	1	1	-	-	-	-	2	2	-	-	-	-	1	2	-	-
	500	-	-	1	1	-	-	-	-	1	2	-	-	1	2	-	-
Julien IP54 LED GE	350	1	2	-	-	-	-	2	3	-	-	-	-	1	3	-	-
	500	-	-	-	-	-	-	1	1	-	-	-	-	1	1	-	-
K120 Adjustable LED GE	500	-	-	-	-	-	-	-	-	1	1	-	-	1	1	-	-
	700	-	-	-	-	-	-	-	-	-	-	-	-	1	1	-	-
K72 IP54 LED GE	350	1	1	-	-	-	-	2	2	-	-	-	-	1	2	-	-
	500	-	-	1	1	-	-	-	-	1	2	-	-	1	2	-	-
K77 adjustable LED GE	350	1	1	-	-	-	-	2	2	-	-	-	-	1	2	-	-
	500	-	-	1	1	-	-	-	-	1	2	-	-	1	2	-	-
Kurk IP40 LED GE	350	1	1	-	-	-	-	2	2	-	-	-	-	1	2	-	-
	500	-	-	-	-	-	-	-	-	1	1	-	-	1	2	-	-
Kurk Surface IP40 GE	350	1	1	-	-	-	-	2	2	-	-	-	-	1	2	-	-
	500	-	-	-	-	-	-	-	-	1	1	-	-	1	2	-	-
Lotis 82 (concrete) LED GE	350	1	1	-	-	-	-	2	2	-	-	-	-	1	2	-	-
	500	-	-	1	1	-	-	-	-	1	2	-	-	1	2	-	-
Lotis 86 IP55 LED GE	350	1	1	-	-	-	-	2	2	-	-	-	-	1	2	-	-
	500	-	-	1	1	-	-	-	-	1	2	-	-	1	2	-	-
Lotis 97 (concrete) adjustable LED GE	350	1	1	-	-	-	-	2	2	-	-	-	-	1	2	-	-
	500	-	-	1	1	-	-	-	-	1	2	-	-	1	2	-	-
Lotis Square (IP55) LED GE	350	1	1	-	-	-	-	2	2	-	-	-	-	1	2	-	-
	500	-	-	1	1	-	-	-	-	1	2	-	-	1	2	-	-
Marbul recessed 1x LED GE	350	1	1	-	-	-	-	2	2	-	-	-	-	1	2	-	-
	500	-	-	1	1	-	-	-	-	1	2	-	-	1	2	-	-
Marbul recessed 2x LED GE	350	1/2	1/2	-	-	-	-	1	1	-	-	-	-	1/2	1	-	-
	500	-	-	1/2	1/2	-	-	-	-	1/2	1	-	-	1/2	1	-	-
Marbul recessed WarmDim 1x LED GE	350	-	-	-	-	-	-	1	1	-	-	-	-	-	-	-	-
Marbul recessed WarmDim 2x LED GE	350	-	-	-	-	-	-	1/2	1/2	-	-	-	-	-	-	-	-
Marbul suspension (adjustable) LED GE	350	1	1	-	-	-	-	2	2	-	-	-	-	1	2	-	-
	500	-	-	1	1	-	-	-	-	1	2	-	-	1	2	-	-
Marbul suspension (adjustable) WarmDim LED GE	350	-	-	-	-	-	-	1	1	-	-	-	-	-	-	-	-
Marbul suspension (adjustable) WarmDim LED GE	350	-	-	-	-	-	-	1	1	-	-	-	-	-	-	-	-
Marcel 1x LED GE	350	-	-	-	-	-	-	1	1	-	-	-	-	1	1	-	-
	500	-	-	-	-	-	-	-	-	1	1	-	-	1	1	-	-
Marcel 2x LED GE	350	-	-	-	-	-	-	1/2	1/2	-	-	-	-	1/2	1/2	-	-
	500	-	-	-	-	-	-	-	-	1/2	1/2	-	-	1/2	1/2	-	-
Marcel 3x LED GE	350	-	-	-	-	-	-	1/3	1/3	-	-	-	-	1/3	1/3	-	-
	500	-	-	-	-	-	-	-	-	1/3	1/3	-	-	1/3	1/3	-	-
Médard 42 recessed LED GE	350	2	2	-	-	-	-	3	5	-	-	-	-	1	4	-	-
	500	-	-	2	2	-	-	-	-	2	4	-	-	1	4	-	-
Médard 42 recessed WarmDim LED GE	350	1	1	-	-	-	-	2	2	-	-	-	-	-	-	-	-

Driver matrix - mains dimmable

(number of products allowed per driver)

TRAILING/LEADING EDGE (MAINS DIMMING)			12404830		12404930		12407230		12404230		12404330		12408530		12400330		12405730		
Dimensions (LxWxH) min. cutout hole Number of LED output channels Max drivers on MCB 16A type B	MAINS		MAINS		MAINS		MAINS		MAINS		MAINS		MAINS		MAINS/PUSH		MAINS/PUSH		
	102x38x21		102x38x21		102x38x21		111x52x22		111x52x22		111x52x22		166x46x34		163x83x35				
	42		42		42		54		54		54		56		88				
	1		1		1		1		1		1		1		1				
50		50		50		50		50		50		50		50		30			
FIXTURE	mA	min	max	min	max	min	max	min	max	min	max	min	max	min	max	min	max	min	max
Médard 42 semi-recessed LED GE	350	1	1	-	-	-	-	2	2	-	-	-	-	1	2	-	-	-	-
	500	-	-	1	1	-	-	-	-	1	2	-	-	1	2	-	-	-	-
	700	-	-	-	-	-	-	-	-	-	-	1	1	1	2	-	-	-	-
Médard 42 semi-recessed WarmDim LED GE	350	1	1	-	-	-	-	2	2	-	-	-	-	-	-	-	-	-	-
Médard 70 recessed LED GE	350	1	1	-	-	-	-	2	2	-	-	-	-	1	2	-	-	-	-
	500	-	-	1	1	-	-	-	-	1	2	-	-	1	2	-	-	-	-
	700	-	-	-	-	-	-	-	-	-	-	1	1	1	2	-	-	-	-
Médard 70 recessed WarmDim LED GE	350	-	-	-	-	-	-	1	1	-	-	-	-	-	-	-	-	-	-
Médard 70 semi-recessed LED GE	350	-	-	-	-	-	-	1	1	-	-	-	-	1	1	-	-	-	-
	500	-	-	-	-	-	-	-	-	1	1	-	-	-	-	1	1	-	-
Médard 70 semi-recessed WarmDim LED GE	350	-	-	-	-	-	-	1	1	-	-	-	-	-	-	-	-	-	-
Médard 70 stretched semi-recessed 1X LED GE	350	-	-	-	-	-	-	1	1	-	-	-	-	-	1	1	-	-	-
	500	-	-	-	-	-	-	-	-	1	1	-	-	-	1	1	-	-	-
Médard 70 stretched semi-recessed 2X LED GE	350	-	-	-	-	-	-	1/2	1/2	-	-	-	-	-	1/2	1/2	-	-	-
	500	-	-	-	-	-	-	-	-	1/2	1/2	-	-	-	1/2	1/2	-	-	-
Médard 70 stretched semi-recessed warm dim 1X LED GE	350	-	-	-	-	-	-	1	1	-	-	-	-	-	-	-	-	-	-
Médard 70 stretched semi-recessed warm dim 2X LED GE	350	-	-	-	-	-	-	1/2	1/2	-	-	-	-	-	-	-	-	-	-
Mini-multiple 1x LED GE	350	1	1	-	-	-	-	2	2	-	-	-	-	-	1	2	-	-	-
	500	-	-	1	1	-	-	-	-	1	2	-	-	1	2	-	-	-	-
Mini-multiple 2x LED GE	350	1/2	1/2	-	-	-	-	1	1	-	-	-	-	1/2	1	-	-	-	-
	500	-	-	1/2	1/2	-	-	-	-	1/2	1	-	-	-	1/2	1	-	-	-
Mini-multiple 3x LED GE	350	1/3	1/3	-	-	-	-	1/2	1/2	-	-	-	-	1/3	1/2	-	-	-	-
	500	-	-	1/3	1/3	-	-	-	-	1/3	1/2	-	-	1/3	1/2	-	-	-	-
Mini-multiple 4x LED GE	350	1/4	1/4	-	-	-	-	1/2	1/2	-	-	-	-	1/4	1/2	-	-	-	-
	500	-	-	1/4	1/4	-	-	-	-	1/4	1/2	-	-	1/4	1/2	-	-	-	-
Minude 45 ceiling recessed adjustable LED GE	350	1	1	-	-	-	-	2	2	-	-	-	-	1	2	-	-	-	-
	500	-	-	1	1	-	-	-	-	1	2	-	-	1	2	-	-	-	-
M-LED 050 GE	350	1	1	-	-	-	-	2	2	-	-	-	-	1	2	-	-	-	-
	500	-	-	1	1	-	-	-	-	1	2	-	-	1	2	-	-	-	-
M-LED 050 WarmDim GE	350	1	1	-	-	-	-	2	2	-	-	-	-	-	-	-	-	-	-
M-LED 070 GE	350	1	1	-	-	-	-	2	2	-	-	-	-	1	2	-	-	-	-
	500	-	-	1	1	-	-	-	-	1	2	-	-	1	2	-	-	-	-
M-LED 070 WarmDim GE	350	1	1	-	-	-	-	2	2	-	-	-	-	-	-	-	-	-	-
	350	-	-	-	-	-	-	1	1	-	-	-	-	1	1	-	-	-	-
M-LED 111 GE	500	-	-	-	-	-	-	-	-	1	1	-	-	1	1	-	-	-	-
	700	-	-	-	-	-	-	-	-	-	-	-	-	1	1	-	-	-	-
	350	-	-	-	-	-	-	1/2	1/2	-	-	-	-	1/2	1/2	-	-	-	-
Nomad 111 2x LED GE	500	-	-	-	-	-	-	-	-	1/2	1/2	-	-	1/2	1/2	-	-	-	-
	700	-	-	-	-	-	-	-	-	-	-	-	-	1/2	1/2	-	-	-	-
	350	-	-	-	-	-	-	1/4	1/4	-	-	-	-	1/4	1/4	-	-	-	-
Nomad 111 4x LED GE	500	-	-	-	-	-	-	-	-	1/4	1/4	-	-	1/4	1/4	-	-	-	-
	700	-	-	-	-	-	-	-	-	-	-	-	-	1/4	1/4	-	-	-	-
	350	-	-	-	-	-	-	-	-	1	1	-	-	-	1	1	-	-	-
Nomad 2xLED AR 111	500	-	-	-	-	-	-	-	-	1	1	-	-	-	1	1	-	-	-
Nomad 4xLED AR 111	1050	-	-	-	-	-	-	-	-	-	-	-	-	-	-	-	1	1	-
Pupil LED GE	350	2	2	-	-	-	-	3	5	-	-	-	-	1	4	-	-	-	-
	500	-	-	2	2	-	-	-	-	2	4	-	-	1	4	-	-	-	-
	700	-	-	-	-	-	-	-	-	-	-	2	2	1	4	-	-	-	-
Pupil WarmDim LED GE	350	1	1	-	-	-	-	2	2	-	-	-	-	-	-	-	-	-	-
Obini fix/adjustable/asy 1x LED GE	350	2	2	-	-	-	-	3	5	-	-	-	-	1	4	-	-	-	-
	500	-	-	2	2	-	-	-	-	2	4	-	-	1	4	-	-	-	-
	350	1	1	-	-	-	-	1	2	-	-	-	-	1/2	2	-	-	-	-
Obini fix/adjustable/asy 2x LED GE	500	-	-	1	1	-	-	-	-	1	2	-	-	1/2	2	-	-	-	-
	350	1/2	1/2	-	-	-	-	1	1	-	-	-	-	1/3	1	-	-	-	-
Obini fix/adjustable/asy 3x LED GE	500	-	-	1/2	1/2	-	-	-	-	1/2	1	-	-	1/3	1	-	-	-	-
	350	1/2	1/2	-	-	-	-	1/2	1	-	-	-	-	1/4	1	-	-	-	-
Obini fix/adjustable/asy 4x LED GE	500	-	-	1/2	1/2	-	-	-	-	1/2	1	-	-	1/4	1	-	-	-	-
	350	2	2	-	-	-	-	3	5	-	-	-	-	1	4	-	-	-	-
Obini fix/adjustable/asy trimless 1x LED GE	500	-	-	2	2	-	-	-	-	2	4	-	-	1	4	-	-	-	-
	350	1	1	-	-	-	-	1	2	-	-	-	-	1/2	2	-	-	-	-
Obini fix/adjustable/asy trimless 2x LED GE	500	-	-	1	1	-	-	-	-	1	2	-	-	1/2	2	-	-	-	-
	350	1/2	1/2	-	-	-	-	1	1	-	-	-	-	1/3	1	-	-	-	-
Obini fix/adjustable/asy trimless 3x LED GE	500	-	-	1/2	1/2	-	-	-	-	1/2	1	-	-	1/3	1	-	-	-	-
	350	1/2	1/2	-	-	-	-	1/2	1	-	-	-	-	1/4	1	-	-	-	-
Obini fix/adjustable/asy trimless 4x LED GE	500	-	-	1/2	1/2	-	-	-	-	1/2	1	-	-	1/4	1	-	-	-	-

Driver matrix - mains dimmable

(number of products allowed per driver)

TRAILING/LEADING EDGE (MAINS DIMMING)	12404830		12404930		12407230		12404230		12404330		12408530		12400330		12405730			
	MAINS		MAINS		MAINS		MAINS		MAINS		MAINS		MAINS/PUSH		MAINS/PUSH			
	Dimensions (LxWxH)		102x38x21		102x38x21		102x38x21		111x52x22		111x52x22		111x52x22		166x46x34		163x83x35	
	min. cutout hole		42		42		42		54		54		54		56		88	
	Number of LED output channels		1		1		1		1		1		1		1		1	
Max drivers on MCB 16A type B		50		50		50		50		50		50		50		30		
FIXTURE	mA	min	max	min	max	min	max	min	max	min	max	min	max	min	max	min	max	
Qbini fix/adjustable/asy trimless WarmDim 1x LED GE	250	-	-	-	-	1	1	-	-	-	-	-	-	-	-	-	-	
Qbini fix/adjustable/asy trimless WarmDim 2x LED GE	250	-	-	-	-	1/2	1/2	-	-	-	-	-	-	-	-	-	-	
Qbini fix/adjustable/asy trimless WarmDim 3x LED GE	250	-	-	-	-	1/3	1/3	-	-	-	-	-	-	-	-	-	-	
Qbini fix/adjustable/asy trimless WarmDim 4x LED GE	250	-	-	-	-	1/4	1/4	-	-	-	-	-	-	-	-	-	-	
Qbini fix/adjustable/asy WarmDim 1x LED GE	250	-	-	-	-	1	1	-	-	-	-	-	-	-	-	-	-	
Qbini fix/adjustable/asy WarmDim 2x LED GE	250	-	-	-	-	1/2	1/2	-	-	-	-	-	-	-	-	-	-	
Qbini fix/adjustable/asy WarmDim 3x LED GE	250	-	-	-	-	1/3	1/3	-	-	-	-	-	-	-	-	-	-	
Qbini fix/adjustable/asy WarmDim 4x LED GE	250	-	-	-	-	1/4	1/4	-	-	-	-	-	-	-	-	-	-	
Qbini general 2X LED GE	350	1	2	-	-	-	-	3	4	-	-	-	-	1	3	-	-	
	500	-	-	1	1	-	-	-	2	3	-	-	-	1	3	-	-	
Qbini general 4X LED GE	350	1/2	1	-	-	-	-	1	2	-	-	-	-	1/2	1	-	-	
	500	-	-	1/2	1/2	-	-	-	1	1	-	-	-	1/2	1	-	-	
Rektor Recessed LED GE	350	-	-	-	-	-	-	1	1	-	-	-	-	1	1	-	-	
	500	-	-	-	-	-	-	-	-	1	1	-	-	-	-	1	1	
Rektor Recessed WarmDim LED GE	350	-	-	-	-	-	-	1	1	-	-	-	-	-	-	-	-	
Scotty 270 adjustable LED GE	350	-	-	-	-	-	-	1	1	-	-	-	-	1	1	-	-	
Scotty 270 LED GE	350	-	-	-	-	-	-	1	1	-	-	-	-	1	1	-	-	
	500	-	-	-	-	-	-	-	-	1	1	-	-	-	-	1	1	
Shellby 176 trimless LED GE	350	1	1	-	-	-	-	2	2	-	-	-	-	1	2	-	-	
	500	-	-	1	1	-	-	-	-	1	2	-	-	-	-	1	2	
Shellby 176 trimless WarmDim LED GE	350	-	-	-	-	-	-	1	1	-	-	-	-	-	-	-	-	
	500	1	1	-	-	-	-	2	2	-	-	-	-	1	2	-	-	
Shellby 184 LED GE	350	1	1	-	-	-	-	2	2	-	-	-	-	1	2	-	-	
	500	-	-	1	1	-	-	-	-	1	2	-	-	-	-	1	2	
Shellby 184 WarmDim LED GE	350	-	-	-	-	-	-	1	1	-	-	-	-	-	-	-	-	
	350	1	1	-	-	-	-	2	2	-	-	-	-	1	2	-	-	
Slide IP54 LED GE	350	4	9	-	-	-	-	9	17	-	-	-	-	1	15	-	-	
	500	-	-	4	6	-	-	-	-	6	13	-	-	-	-	1	15	
Smart Cake / Kup / Lotis / (asy) 48 (IP54) LED GE	250	-	-	-	-	1	1	-	-	-	-	-	-	-	-	-	-	
Smart Cake / Kup / Lotis /+ (asy) 48 (IP54) LED GE	350	2	2	-	-	-	-	3	5	-	-	-	-	1	4	-	-	
	500	-	-	2	2	-	-	-	-	2	4	-	-	-	-	1	4	
Smart Cake / Kup / Lotis 82 (adjustable) WarmDim LED GE (IP54)	350	1	1	-	-	-	-	2	2	-	-	-	-	-	-	-	-	
	350	1	1	-	-	-	-	2	2	-	-	-	-	1	2	-	-	
Smart Cake / Kup / Lotis 82 (IP54) LED GE	500	-	-	1	1	-	-	-	-	1	2	-	-	-	-	1	2	
	700	-	-	-	-	-	-	-	-	-	-	1	1	1	2	-	-	
	350	1	1	-	-	-	-	2	2	-	-	-	-	-	-	1	2	
Smart Cake / Kup / Lotis 82 adjustable LED GE	500	-	-	1	1	-	-	-	-	1	2	-	-	-	-	1	2	
	700	-	-	-	-	-	-	-	-	-	-	1	1	1	2	-	-	
	350	-	-	-	-	-	-	1	1	-	-	-	-	-	-	-	-	
Smart Cake / Kup / Lotis 115 adjustable LED GE	350	-	-	-	-	-	-	1	1	-	-	-	-	-	-	-	-	
	500	-	-	1	1	-	-	-	-	1	2	-	-	-	-	1	2	
	700	-	-	-	-	-	-	-	-	-	-	1	1	1	2	-	-	
Smart Cake / Kup / Lotis 115 adjustable WarmDim LED GE	350	-	-	-	-	-	-	1	1	-	-	-	-	-	-	-	-	
	500	-	-	-	-	-	-	-	-	1	1	-	-	-	-	1	1	
	700	-	-	-	-	-	-	-	-	-	-	-	-	-	-	1	1	
	500	-	-	-	-	-	-	-	-	1	1	-	-	-	-	1	1	
	700	-	-	-	-	-	-	-	-	-	-	-	-	-	-	1	1	
Smart Cake/ Kup / Lotis 160 (diffuse) (IP54) LED GE	900	-	-	-	-	-	-	-	-	-	-	-	-	-	-	-	-	
	1050	-	-	-	-	-	-	-	-	-	-	-	-	-	-	-	1	
	1200	-	-	-	-	-	-	-	-	-	-	-	-	-	-	-	1	
	1400	-	-	-	-	-	-	-	-	-	-	-	-	-	-	-	-	
Stove LED GE	350	-	-	-	-	-	-	1	1	-	-	-	-	-	-	1	1	
	500	-	-	-	-	-	-	-	-	1	1	-	-	-	-	1	1	
Thimble 70 trimless (adjustable) LED GE	350	1	1	-	-	-	-	2	2	-	-	-	-	-	-	1	2	
	500	-	-	1	1	-	-	-	-	1	2	-	-	-	-	1	2	
Thimble 74 (adjustable) LED GE	350	1	1	-	-	-	-	2	2	-	-	-	-	-	-	1	2	
	500	-	-	1	1	-	-	-	-	1	2	-	-	-	-	1	2	
Wink 82 LED GE	350	1	1	-	-	-	-	2	2	-	-	-	-	-	-	1	2	
	500	-	-	1	1	-	-	-	-	1	2	-	-	-	-	1	2	
Wink 115 LED GE	350	-	-	-	-	-	-	1	1	-	-	-	-	-	-	1	1	
	500	-	-	-	-	-	-	-	-	1	1	-	-	-	-	1	1	
	700	-	-	-	-	-	-	-	-	-	-	-	-	-	-	1	1	

Driver matrix - 1-10V dimmable

(number of products allowed per driver)

1-10V		11630330		11630430		11630530		12407130		12407730		12408030		12405430		12408230	
Dimensions (LxWxH)		1-10V hybrid deepdim		1-10V hybrid deepdim		1-10V hybrid deepdim		1-10V		1-10V/PUSH		1-10V/PUSH		1-10V/PUSH		1-10V/PUSH	
min. cutout hole		160x41.5x30.5		160x41.5x30.5		160x41.5x30.5		146,5x44x30		110,4x52x22		110,4x52x22		103x67x21		103x67x21	
*Number of LED output channels		54		54		54		54		55		55		72		72	
Max drivers on MCB 16A type B		1		1		1		1		1		1		1		1	
		106		106		106		50		50		50		50		50	
FIXTURE	mA	min	max	min	max	min	max	min	max	min	max	min	max	min	max	min	max
Chapeau 206 LED GE	350	1	1	-	-	-	-	1	1	1	1	1	1	1	1	1	1
	500	-	-	1	1	-	-	1	1	1	1	1	1	1	1	1	1
Dent large LED GE	350	-	-	-	-	-	-	1	1	-	-	-	-	1	1	1	1
Dent medium LED GE	350	-	-	-	-	-	-	1	1	-	-	-	-	1	1	1	1
Dent small LED GE	350	1	1	-	-	-	-	1	2	1	2	1	2	1	2	1	2
Duell recessed 1x LED GE	350	1	2	-	-	-	-	1	2	1	2	1	2	1	2	1	2
	500	-	-	1	2	-	-	1	2	1	2	1	2	1	2	1	2
Duell recessed 2x LED GE	350	1/2	1	-	-	-	-	1/2	1	1/2	1	1/2	1	1/2	1	1/2	1
	500	-	-	1/2	1	-	-	1/2	1	1/2	1	1/2	1	1/2	1	1/2	1
Hippy 110 IP67 LED GE	350	1	2	-	-	-	-	1	2	1	2	1	2	1	2	1	2
	500	-	-	1	2	-	-	1	2	1	2	1	2	1	2	1	2
Hippy 70 IP67 LED GE	350	1	4	-	-	-	-	2	5	2	5	2	5	2	5	2	5
Hollow 115 Trimless LED GE	350	1	2	-	-	-	-	1	3	1	2	1	2	1	2	1	2
	500	-	-	1	2	-	-	1	2	1	2	1	2	1	2	1	2
Hollow 125 LED GE	350	1	2	-	-	-	-	1	3	1	2	1	2	1	2	1	2
	500	-	-	1	2	-	-	1	2	1	2	1	2	1	2	1	2
Julien IP54 LED GE	350	1	3	-	-	-	-	1	4	2	3	2	3	1	4	1	4
	500	1	1	-	-	-	-	1	1	1	1	1	1	1	1	1	1
K120 Adjustable LED GE	500	-	-	1	1	-	-	1	1	1	1	1	1	1	1	1	1
	700	-	-	-	-	-	-	1	1	-	-	-	-	1	1	1	1
	350	1	2	-	-	-	-	1	2	1	2	1	2	1	2	1	2
K72 IP54 LED GE	500	-	-	1	2	-	-	1	2	1	2	1	2	1	2	1	2
	350	1	2	-	-	-	-	1	2	1	2	1	2	1	2	1	2
K77 adjustable LED GE	500	-	-	1	2	-	-	1	2	1	2	1	2	1	2	1	2
	350	1	1	-	-	-	-	1	2	1	2	1	2	1	2	1	2
Kurk IP40 LED GE	500	-	-	1	1	-	-	1	2	1	1	1	1	1	1	2	1
	700	-	-	-	-	1	1	1	2	1	1	1	1	1	1	2	1
	350	1	1	-	-	-	-	1	2	1	2	1	2	1	2	1	2
Kurk Surface IP40 GE	500	-	-	1	1	-	-	1	2	1	1	1	1	1	1	2	1
	700	-	-	-	-	1	1	1	2	1	1	1	1	1	1	2	1
Lotis 82 (concrete) LED GE	350	1	2	-	-	-	-	1	2	1	2	1	2	1	2	1	2
	500	-	-	1	2	-	-	1	2	1	2	1	2	1	2	1	2
Lotis 86 IP55 LED GE	350	1	2	-	-	-	-	1	2	1	2	1	2	1	2	1	2
	500	-	-	1	2	-	-	1	2	1	2	1	2	1	2	1	2
Lotis 97 (concrete) adjustable LED GE	350	1	2	-	-	-	-	1	2	1	2	1	2	1	2	1	2
	500	-	-	1	2	-	-	1	2	1	2	1	2	1	2	1	2
Lotis Square (IP55) LED GE	350	1	2	-	-	-	-	1	2	1	2	1	2	1	2	1	2
	500	-	-	1	2	-	-	1	2	1	2	1	2	1	2	1	2
Marbul recessed 1x LED GE	350	1	2	-	-	-	-	1	2	1	2	1	2	1	2	1	2
	500	-	-	1	2	-	-	1	2	1	2	1	2	1	2	1	2
Marbul recessed 2x LED GE	350	1/2	1	-	-	-	-	1/2	1	1/2	1	1/2	1	1/2	1	1/2	1
	500	-	-	1/2	1	-	-	1/2	1	1/2	1	1/2	1	1/2	1	1/2	1
Marbul recessed WarmDim 1x LED GE	350	1	1	-	-	-	-	1	1	1	1	1	1	-	-	-	1
Marbul recessed WarmDim 2x LED GE	350	1/2	1/2	-	-	-	-	1/2	1/2	1/2	1/2	1/2	1/2	-	-	1/2	1/2
Marbul suspension (adjustable) LED GE	350	1	2	-	-	-	-	1	2	1	2	1	2	1	2	1	2
	500	-	-	1	2	-	-	1	2	1	2	1	2	1	2	1	2
Marbul suspension (adjustable) WarmDim LED GE	350	1	1	-	-	-	-	1	1	1	1	1	1	-	-	-	1
	350	1	1	-	-	-	-	1	1	1	1	1	1	1	1	1	1
Marcel 1x LED GE	500	-	-	1	1	-	-	1	1	1	1	1	1	1	1	1	1
	700	-	-	-	-	-	-	1	1	-	-	-	-	1	1	1	1
	350	1/2	1/2	-	-	-	-	1/2	1/2	1/2	1/2	1/2	1/2	1/2	1/2	1/2	1/2
Marcel 2x LED GE	500	-	-	1/2	1/2	-	-	1/2	1/2	1/2	1/2	1/2	1/2	1/2	1/2	1/2	1/2
	700	-	-	-	-	-	-	1/2	1/2	-	-	-	-	1/2	1/2	1/2	1/2
	350	1/3	1/3	-	-	-	-	1/3	1/3	1/3	1/3	1/3	1/3	1/3	1/3	1/3	1/3
Marcel 3x LED GE	500	-	-	1/3	1/3	-	-	1/3	1/3	1/3	1/3	1/3	1/3	1/3	1/3	1/3	1/3
	700	-	-	-	-	-	-	1/3	1/3	-	-	-	-	1/3	1/3	1/3	1/3
	350	1	4	-	-	-	-	2	5	2	5	2	5	2	5	2	5
Médard 42 recessed LED GE	500	-	-	1	4	-	-	2	5	1	4	1	4	1	5	1	5
	350	1	2	-	-	-	-	1	2	1	2	1	2	-	-	1	2
Médard 42 recessed WarmDim LED GE	350	1	2	-	-	-	-	1	2	1	2	1	2	-	-	1	2
	500	-	-	1	2	-	-	1	2	1	2	1	2	1	2	1	2
Médard 42 semi-recessed LED GE	500	-	-	1	2	-	-	1	2	1	2	1	2	1	2	1	2
	700	-	-	-	-	1	1	1	2	1	1	1	1	1	2	1	2

DRIVER DOES NOT FIT THROUGH CUTOUT HOLE OF FIXTURE • 1/2 = REQUIRES 2 DRIVERS • 1/3 = REQUIRES 3 DRIVERS • 1/4 = REQUIRES 4 DRIVERS

Driver matrix - 1-10V dimmable

(number of products allowed per driver)

1-10V	11630330		11630430		11630530		12407130		12407730		12408030		12405430		12408230		
	1-10V hybrid deepdim		1-10V hybrid deepdim		1-10V hybrid deepdim		1-10V		1-10V/PUSH		1-10V/PUSH		1-10V/PUSH		1-10V/PUSH		
	Dimensions (LxWxH)		Dimensions (LxWxH)		Dimensions (LxWxH)		Dimensions (LxWxH)		Dimensions (LxWxH)		Dimensions (LxWxH)		Dimensions (LxWxH)		Dimensions (LxWxH)		
	min. cutout hole		min. cutout hole		min. cutout hole		min. cutout hole		min. cutout hole		min. cutout hole		min. cutout hole		min. cutout hole		
*Number of LED output channels		1		1		1		1		1		1		1			
Max drivers on MCB 16A type B		106		106		106		50		50		50		50			
FIXTURE	mA	min	max	min	max	min	max	min	max	min	max	min	max	min	max	min	max
Médard 42 semi-recessed WarmDim LED GE	350	1	2	-	-	-	-	1	2	1	2	1	2	-	-	1	2
Médard 70 recessed LED GE	350	1	2	-	-	-	-	1	2	1	2	1	2	1	2	1	2
	500	-	-	1	2	-	-	1	2	1	2	1	2	1	2	1	2
	700	-	-	-	-	1	1	1	2	1	1	1	1	1	2	1	2
Médard 70 recessed WarmDim LED GE	350	1	1	-	-	-	-	1	1	1	1	1	1	-	-	1	1
Médard 70 semi-recessed LED GE	350	1	1	-	-	-	-	1	1	1	1	1	1	1	1	1	1
	500	-	-	1	1	-	-	1	1	1	1	1	1	1	1	1	1
Médard 70 semi-recessed WarmDim LED GE	350	1	1	-	-	-	-	1	1	1	1	1	1	-	-	1	1
Médard 70 stretched semi-recessed 1X LED GE	350	1	1	-	-	-	-	1	1	1	1	1	1	1	1	1	1
	500	-	-	1	1	-	-	1	1	1	1	1	1	1	1	1	1
Médard 70 stretched semi-recessed 2X LED GE	350	1/2	1/2	-	-	-	-	1/2	1/2	1/2	1/2	1/2	1/2	1/2	1/2	1/2	1/2
	500	-	-	1/2	1/2	-	-	1/2	1/2	1/2	1/2	1/2	1/2	1/2	1/2	1/2	1/2
Médard 70 stretched semi-recessed warm dim 1X LED GE	350	1	1	-	-	-	-	1	1	1	1	1	1	-	-	1	1
Médard 70 stretched semi-recessed warm dim 2X LED GE	350	1/2	1/2	-	-	-	-	1/2	1/2	1/2	1/2	1/2	1/2	-	-	1/2	1/2
Mini-multiple 1x LED GE	350	1	2	-	-	-	-	1	2	1	2	1	2	1	2	1	2
	500	-	-	1	2	-	-	1	2	1	2	1	2	1	2	1	2
Mini-multiple 2x LED GE	350	1/2	1	-	-	-	-	1/2	1	1/2	1	1/2	1	1/2	1	1/2	1
	500	-	-	1/2	1	-	-	1/2	1	1/2	1	1/2	1	1/2	1	1/2	1
Mini-multiple 3x LED GE	350	1/3	1/2	-	-	-	-	1/3	1/2	1/3	1/2	1/3	1/2	1/3	1/2	1/3	1/2
	500	-	-	1/3	1/2	-	-	1/3	1/2	1/3	1/2	1/3	1/2	1/3	1/2	1/3	1/2
Mini-multiple 4x LED GE	350	1/4	1/2	-	-	-	-	1/4	1/2	1/4	1/2	1/4	1/2	1/4	1/2	1/4	1/2
	500	-	-	1/4	1/2	-	-	1/4	1/2	1/4	1/2	1/4	1/2	1/4	1/2	1/4	1/2
Minude 45 ceiling recessed adjustable LED GE	350	1	2	-	-	-	-	1	2	1	2	1	2	1	2	1	2
	500	-	-	1	2	-	-	1	2	1	2	1	2	1	2	1	2
M-LED 050 GE	350	1	2	-	-	-	-	1	2	1	2	1	2	1	2	1	2
	500	-	-	1	2	-	-	1	2	1	2	1	2	1	2	1	2
M-LED 050 WarmDim GE	350	1	2	-	-	-	-	1	2	1	2	1	2	-	-	1	2
	500	-	-	1	2	-	-	1	2	1	2	1	2	-	-	1	2
M-LED 070 GE	350	1	2	-	-	-	-	1	2	1	2	1	2	1	2	1	2
	500	-	-	1	2	-	-	1	2	1	2	1	2	1	2	1	2
M-LED 070 WarmDim GE	350	1	2	-	-	-	-	1	2	1	2	1	2	-	-	1	2
	500	-	-	1	2	-	-	1	2	1	2	1	2	-	-	1	2
M-LED 111 GE	350	1	1	-	-	-	-	1	1	1	1	1	1	1	1	1	1
	500	-	-	1	1	-	-	1	1	1	1	1	1	1	1	1	1
	700	-	-	-	-	-	-	1	1	-	-	-	-	1	1	1	1
Nomad 111 2x LED GE	350	1/2	1/2	-	-	-	-	1/2	1/2	1/2	1/2	1/2	1/2	1/2	1/2	1/2	1/2
	500	-	-	1/2	1/2	-	-	1/2	1/2	1/2	1/2	1/2	1/2	1/2	1/2	1/2	1/2
	700	-	-	-	-	-	-	1/2	1/2	-	-	-	-	1/2	1/2	1/2	1/2
Nomad 111 4x LED GE	350	1/4	1/4	-	-	-	-	1/4	1/4	1/4	1/4	1/4	1/4	1/4	1/4	1/4	1/4
	500	-	-	1/4	1/4	-	-	1/4	1/4	1/4	1/4	1/4	1/4	1/4	1/4	1/4	1/4
	700	-	-	-	-	-	-	1/4	1/4	-	-	-	-	1/4	1/4	1/4	1/4
Nomad 2xLED AR 111	500	-	-	1	1	-	-	1	1	1	1	1	1	1	1	1	1
Nomad 4xLED AR 111	1050	-	-	-	-	-	-	-	-	-	-	-	-	-	-	-	-
Pupil LED GE	350	1	4	-	-	-	-	2	5	2	5	2	5	2	5	2	5
	500	-	-	1	4	-	-	2	5	1	4	1	4	1	5	1	5
	700	-	-	-	-	1	2	1	5	1	2	1	2	1	4	1	4
Pupil WarmDim LED GE	350	1	2	-	-	-	-	1	2	1	2	1	2	-	-	1	2
Qbini fix/adjustable/asy 1x LED GE	350	1	4	-	-	-	-	2	5	2	5	2	5	2	5	2	5
	500	-	-	1	4	-	-	2	5	1	4	1	4	1	5	1	5
Qbini fix/adjustable/asy 2x LED GE	350	1/2	2	-	-	-	-	1	2	1	2	1	2	1	2	1	2
	500	-	-	1/2	2	-	-	1	2	1/2	2	1/2	2	1/2	2	1/2	2
Qbini fix/adjustable/asy 3x LED GE	350	1/3	1	-	-	-	-	1/2	1	1/2	1	1/2	1	1/2	1	1/2	1
	500	-	-	1/3	1	-	-	1/2	1	1/3	1	1/3	1	1/3	1	1/3	1
Qbini fix/adjustable/asy 4x LED GE	350	1/4	1	-	-	-	-	1/2	1	1/2	1	1/2	1	1/2	1	1/2	1
	500	-	-	1/4	1	-	-	1/2	1	1/4	1	1/4	1	1/4	1	1/4	1
Qbini fix/adjustable/asy trimless 1x LED GE	350	1	4	-	-	-	-	2	5	2	5	2	5	2	5	2	5
	500	-	-	1	4	-	-	2	5	1	4	1	4	1	5	1	5
Qbini fix/adjustable/asy trimless 2x LED GE	350	1/2	2	-	-	-	-	1	2	1	2	1	2	1	2	1	2
	500	-	-	1/2	2	-	-	1	2	1/2	2	1/2	2	1/2	2	1/2	2
Qbini fix/adjustable/asy trimless 3x LED GE	350	1/3	1	-	-	-	-	1/2	1	1/2	1	1/2	1	1/2	1	1/2	1
	500	-	-	1/3	1	-	-	1/2	1	1/3	1	1/3	1	1/3	1	1/3	1
Qbini fix/adjustable/asy trimless 4x LED GE	350	1/4	1	-	-	-	-	1/2	1	1/2	1	1/2	1	1/2	1	1/2	1
	500	-	-	1/4	1	-	-	1/2	1	1/4	1	1/4	1	1/4	1	1/4	1

11630930		11631030		11631130		12407830		12408330		12404530		12406530		12406630		12406730		12406830		12404730		12404030	
1-10V hybrid deepdim		1-10V hybrid deepdim		1-10V hybrid deepdim		DALI/1-10V/ PUSH		DALI/1-10V/ PUSH		DALI/1-10V/ PUSH		DALI/1-10V/ PUSH		1-10V/PUSH		1-10V/PUSH		DALI/1-10V/ PUSH		DALI/1-10V/ PUSH		DALI/1-10V/ PUSH	
153x76.2x301		153x76.2x301		153x76.2x301		124x79x22		124x79x22		124x79x22		124x79x22		124x79x22		124x79x22		124x79x22		169x83x35		129x79x30	
84		84		84		84		84		85		85		85		85		85		88		90	
2		2		2		1		1		1		1		1		1		1		1		1	
22		22		22		30		30		15		30		15		15		30		15		15	
min	max	min	max	min	max	min	max	min	max	min	max	min	max	min	max	min	max	min	max	min	max	min	max
1	2	-	-	-	-	2	6	2	6	-	-	1	3	1	3	1	3	1	3	-	-	-	-
1	2	-	-	-	-	2	5	2	5	1	5	1	3	1	3	1	3	1	3	1	3	1	3
-	-	1	2	-	-	1	5	1	5	1	5	1	3	1	3	1	3	1	3	1	3	-	-
-	-	-	-	1	2	1	4	1	4	1	3	1	3	1	3	1	3	1	3	1	3	1	3
1	1	-	-	-	-	1	3	1	3	-	-	1	1	1	1	1	1	1	1	-	-	-	-
1	1	-	-	-	-	1	3	1	3	1	3	1	2	1	2	1	2	1	2	1	2	1	2
-	-	1	1	-	-	1	3	1	3	1	2	1	2	1	2	1	2	1	2	1	2	1	2
1	1	-	-	-	-	1	3	1	3	-	-	1	1	1	1	1	1	1	1	-	-	-	-
1	1	-	-	-	-	1	3	1	3	1	3	1	2	1	2	1	2	1	2	1	2	1	2
-	-	1	1	-	-	1	3	1	3	1	2	1	2	1	2	1	2	1	2	1	2	1	2
1/2	1/2	-	-	-	-	1/2	1	1/2	1	1/2	1	1/2	1	1/2	1	1/2	1	1/2	1	1/2	1	1/2	1
-	-	1/2	1/2	-	-	1/2	1	1/2	1	1/2	1	1/2	1	1/2	1	1/2	1	1/2	1	1/2	1	1/2	1
1	1	-	-	-	-	1	3	1	3	-	-	1	1	1	1	1	1	1	1	-	-	-	-
1/2	1/2	-	-	-	-	1/2	1	1/2	1	-	-	1/2	1/2	1/2	1/2	1/2	1/2	1/2	1/2	-	-	-	-
1	2	-	-	-	-	2	5	2	5	1	5	1	3	1	3	1	3	1	3	1	3	1	3
-	-	1	2	-	-	1	5	1	5	1	5	1	3	1	3	1	3	1	3	1	3	1	3
1/2	1	-	-	-	-	1	2	1	2	1/2	2	1/2	1	1/2	1	1/2	1	1/2	1	1/2	1	1/2	1
-	-	1/2	1	-	-	1/2	2	1/2	2	1/2	2	1/2	1	1/2	1	1/2	1	1/2	1	1/2	1	1/2	1
1/3	1/2	-	-	-	-	1/2	1	1/2	1	1/3	1	1/3	1	1/3	1	1/3	1	1/3	1	1/3	1	1/3	1
-	-	1/3	1/2	-	-	1/3	1	1/3	1	1/3	1	1/3	1	1/3	1	1/3	1	1/3	1	1/3	1	1/3	1
1/4	1/2	-	-	-	-	1/2	1	1/2	1	1/4	1	1/4	1/2	1/4	1/2	1/4	1/2	1/4	1/2	1/4	1/2	1/4	1/2
-	-	1/4	1/2	-	-	1/4	1	1/4	1	1/4	1	1/4	1/2	1/4	1/2	1/4	1/2	1/4	1/2	1/4	1/2	1/4	1/2
1	3	-	-	-	-	2	6	2	6	1	6	1	3	1	3	1	3	1	3	1	3	1	3
-	-	1	3	-	-	1	6	1	6	1	5	1	3	1	3	1	3	1	3	1	3	1	3
1	2	-	-	-	-	2	5	2	5	1	5	1	3	1	3	1	3	1	3	1	3	1	3
-	-	1	2	-	-	1	5	1	5	1	5	1	3	1	3	1	3	1	3	1	3	1	3
1	2	-	-	-	-	2	6	2	6	-	-	1	3	1	3	1	3	1	3	1	3	1	3
-	-	1	2	-	-	1	5	1	5	1	5	1	3	1	3	1	3	1	3	1	3	1	3
-	-	1	2	-	-	1	5	1	5	1	5	1	3	1	3	1	3	1	3	1	3	1	3
1	2	-	-	-	-	2	6	2	6	-	-	1	3	1	3	1	3	1	3	1	3	1	3
-	-	1	2	-	-	1	5	1	5	1	5	1	3	1	3	1	3	1	3	1	3	1	3
-	-	1	2	-	-	1	5	1	5	1	5	1	3	1	3	1	3	1	3	1	3	1	3
1	2	-	-	-	-	2	6	2	6	-	-	1	3	1	3	1	3	1	3	1	3	1	3
-	-	1	2	-	-	1	5	1	5	1	5	1	3	1	3	1	3	1	3	1	3	1	3
1	2	-	-	-	-	2	6	2	6	-	-	1	3	1	3	1	3	1	3	1	3	1	3
1	2	-	-	-	-	2	6	2	6	-	-	1	3	1	3	1	3	1	3	1	3	1	3
-	-	1	2	-	-	1	5	1	5	1	5	1	3	1	3	1	3	1	3	1	3	1	3
1	5	-	-	-	-	3	11	3	11	1	11	1	7	1	7	1	7	1	7	1	7	1	7
-	-	1	5	-	-	1	11	1	11	1	10	1	7	1	7	1	7	1	7	1	7	1	7
-	-	-	-	1	5	1	8	1	8	1	6	1	7	1	7	1	7	1	7	1	7	1	6
1	2	-	-	-	-	2	6	2	6	-	-	1	3	1	3	1	3	1	3	1	3	-	-
1	5	-	-	-	-	3	11	3	11	1	11	1	7	1	7	1	7	1	7	1	7	1	7
-	-	1	5	-	-	1	11	1	11	1	10	1	7	1	7	1	7	1	7	1	7	1	7
1/2	2	-	-	-	-	1	5	1	5	1/2	5	1/2	3	1/2	3	1/2	3	1/2	3	1/2	3	1/2	3
-	-	1/2	2	-	-	1/2	5	1/2	5	1/2	5	1/2	3	1/2	3	1/2	3	1/2	3	1/2	3	1/2	3
1/3	1	-	-	-	-	1	3	1	3	1/3	3	1/3	2	1/3	2	1/3	2	1/3	2	1/3	2	1/3	2
-	-	1/3	1	-	-	1/3	3	1/3	3	1/3	3	1/3	2	1/3	2	1/3	2	1/3	2	1/3	2	1/3	2
1/4	1	-	-	-	-	1/2	2	1/2	2	1/4	2	1/4	1	1/4	1	1/4	1	1/4	1	1/4	1	1/4	1
-	-	1/4	1	-	-	1/4	2	1/4	2	1/4	2	1/4	1	1/4	1	1/4	1	1/4	1	1/4	1	1/4	1
1	5	-	-	-	-	3	11	3	11	1	11	1	7	1	7	1	7	1	7	1	7	1	7
-	-	1	5	-	-	1	11	1	11	1	10	1	7	1	7	1	7	1	7	1	7	1	7
1/2	2	-	-	-	-	1	5	1	5	1/2	5	1/2	3	1/2	3	1/2	3	1/2	3	1/2	3	1/2	3
-	-	1/2	2	-	-	1/2	5	1/2	5	1/2	5	1/2	3	1/2	3	1/2	3	1/2	3	1/2	3	1/2	3
1/3	1	-	-	-	-	1	3	1	3	1/3	3	1/3	2	1/3	2	1/3	2	1/3	2	1/3	2	1/3	2
-	-	1/3	1	-	-	1/3	3	1/3	3	1/3	3	1/3	2	1/3	2	1/3	2	1/3	2	1/3	2	1/3	2
1/4	1	-	-	-	-	1/2	2	1/2	2	1/4	2	1/4	1	1/4	1	1/4	1	1/4	1	1/4	1	1/4	1
-	-	1/4	1	-	-	1/4	2	1/4	2	1/4	2	1/4	1	1/4	1	1/4	1	1/4	1	1/4	1	1/4	1
1	5	-	-	-	-	3	11	3	11	1	11	1	7	1	7	1	7	1	7	1	7	1	7
-	-	1	5	-	-	1	11	1	11	1	10	1	7	1	7	1	7	1	7	1	7	1	7
1/2	2	-	-	-	-	1	5	1	5	1/2	5	1/2	3	1/2	3	1/2	3	1/2	3	1/2	3	1/2	3
-	-	1/2	2	-	-	1/2	5	1/2	5	1/2	5	1/2	3	1/2	3	1/2	3	1/2	3	1/2	3	1/2	3
1/3	1	-	-	-	-	1	3	1	3	1/3	3	1/3	2	1/3	2	1/3	2	1/3	2	1/3	2	1/3	2
-	-	1/3	1	-	-	1/3	3	1/3	3	1/3	3	1/3	2	1/3	2	1/3	2	1/3	2	1/3	2	1/3	2
1/4	1	-	-	-	-	1/2	2	1/2	2	1/4	2	1/4	1	1/4	1	1/4	1	1/4	1	1/4	1	1/4	1
-	-	1/4	1	-	-	1/4	2	1/4	2	1/4	2	1/4	1	1/4	1	1/4	1	1/4	1	1/4	1	1/4	1
1	5	-	-	-	-	3	11	3	11	1	11	1	7	1	7	1	7	1	7	1	7	1	7
-	-	1	5	-	-	1	11	1	11	1	10	1	7	1	7	1	7	1	7	1	7	1	7
1/2	2	-	-	-	-	1	5	1	5	1/2	5	1/2	3	1/2	3	1/2	3	1/2	3	1/2	3	1/2	3
-	-	1/2	2	-	-	1/2	5	1/2	5	1/2	5	1/2	3	1/2	3	1/2	3	1/2	3	1/2	3	1/2	3
1/3	1	-	-	-	-	1	3	1	3	1/3	3	1/3	2	1/3	2	1/3	2	1/3	2	1/3	2	1/3	2
-	-	1/3	1	-	-	1/3	3	1/3	3	1/3	3	1/3	2	1/3	2								

Driver matrix - 1-10V dimmable

(number of products allowed per driver)

1-10V		11630330		11630430		11630530		12407130		12407730		12408030		12405430		12408230			
Dimensions (LxWxH)		1-10V hybrid deepdim		1-10V hybrid deepdim		1-10V hybrid deepdim		1-10V		1-10V/PUSH		1-10V/PUSH		1-10V/PUSH		1-10V/PUSH			
min. cutout hole		160x41.5x30.5		160x41.5x30.5		160x41.5x30.5		146,5x44x30		110,4x52x22		110,4x52x22		103x67x21		103x67x21			
*Number of LED output channels		54		54		54		54		55		55		72		72			
Max drivers on MCB 16A type B		1		1		1		1		1		1		1		1			
FITTURE		mA		min		max		min		max		min		max		min		max	
Qbini fix/adjustable/asy trimless WarmDim 1x LED GE	250	-	-	-	-	-	-	-	-	2	3	2	3	-	-	1	3		
Qbini fix/adjustable/asy trimless WarmDim 2x LED GE	250	-	-	-	-	-	-	-	-	1	1	1	1	-	-	1/2	1		
Qbini fix/adjustable/asy trimless WarmDim 3x LED GE	250	-	-	-	-	-	-	-	-	1/2	1	1/2	1	-	-	1/3	1		
Qbini fix/adjustable/asy trimless WarmDim 4x LED GE	250	-	-	-	-	-	-	-	-	1/2	1/2	1/2	1/2	-	-	1/4	1/2		
Qbini fix/adjustable/asy WarmDim 1x LED GE	250	-	-	-	-	-	-	-	-	2	3	2	3	-	-	1	3		
Qbini fix/adjustable/asy WarmDim 2x LED GE	250	-	-	-	-	-	-	-	-	1	1	1	1	-	-	1/2	1		
Qbini fix/adjustable/asy WarmDim 3x LED GE	250	-	-	-	-	-	-	-	-	1/2	1	1/2	1	-	-	1/3	1		
Qbini fix/adjustable/asy WarmDim 4x LED GE	250	-	-	-	-	-	-	-	-	1/2	1/2	1/2	1/2	-	-	1/4	1/2		
Qbini general 2X LED GE	350	1	3	-	-	-	-	1	4	2	4	2	4	1	4	1	4		
	500	-	-	1	3	-	-	1	4	1	3	1	3	1	4	1	4		
Qbini general 4X LED GE	350	1/2	1	-	-	-	-	1/2	2	1	2	1	2	1/2	2	1/2	2		
	500	-	-	1/2	1	-	-	1/2	2	1/2	1	1/2	1	1/2	2	1/2	2		
Rektor Recessed LED GE	350	1	1	-	-	-	-	1	1	1	1	1	1	1	1	1	1		
	500	-	-	1	1	-	-	1	1	1	1	1	1	1	1	1	1		
Rektor Recessed WarmDim LED GE	350	1	1	-	-	-	-	1	1	1	1	1	1	-	-	1	1		
Scotty 270 adjustable LED GE	350	1	1	-	-	-	-	1	1	1	1	1	1	1	1	1	1		
Scotty 270 LED GE	350	1	1	-	-	-	-	1	1	1	1	1	1	1	1	1	1		
	500	-	-	1	1	-	-	1	1	1	1	1	1	1	1	1	1		
Shellby 176 trimless LED GE	350	1	2	-	-	-	-	1	3	1	2	1	2	1	2	1	2		
	500	-	-	1	2	-	-	1	2	1	2	1	2	1	2	1	2		
Shellby 176 trimless WarmDim LED GE	350	1	1	-	-	-	-	1	1	1	1	1	1	-	-	1	1		
Shellby 184 LED GE	350	1	2	-	-	-	-	1	3	1	2	1	2	1	2	1	2		
	500	-	-	1	2	-	-	1	2	1	2	1	2	1	2	1	2		
Shellby 184 WarmDim LED GE	350	1	1	-	-	-	-	1	1	1	1	1	1	-	-	1	1		
Slide IP54 LED GE	350	1	2	-	-	-	-	1	2	1	2	1	2	1	2	1	2		
	500	-	-	1	2	-	-	1	2	1	2	1	2	1	2	1	2		
Smart Cake / Kup / Lotis / (asy) 48 (IP54) LED GE	350	1	13	-	-	-	-	4	17	5	16	5	16	4	17	4	17		
	500	-	-	1	13	-	-	4	18	2	13	2	13	1	16	1	16		
Smart Cake / Kup / Lotis / (asy) 48 WarmDim (IP55) LED GE	250	-	-	-	-	-	-	-	-	2	3	2	3	-	-	1	3		
Smart Cake / Kup / Lotis / + (asy) 48 (IP54) LED GE	350	1	4	-	-	-	-	2	5	2	5	2	5	2	5	2	5		
	500	-	-	1	4	-	-	2	5	1	4	1	4	1	5	1	5		
Smart Cake / Kup / Lotis 82 (adjustable) WarmDim LED GE (IP54)	350	1	2	-	-	-	-	1	2	1	2	1	2	-	-	1	2		
	350	1	2	-	-	-	-	1	2	1	2	1	2	1	2	1	2		
	500	-	-	1	2	-	-	1	2	1	2	1	2	1	2	1	2		
Smart Cake / Kup / Lotis 82 (IP54) LED GE	700	-	-	-	-	1	1	1	2	1	1	1	1	1	1	2	1		
	350	1	2	-	-	-	-	1	2	1	2	1	2	1	2	1	2		
	500	-	-	1	2	-	-	1	2	1	2	1	2	1	2	1	2		
Smart Cake / Kup / Lotis 82 adjustable LED GE	500	-	-	1	2	-	-	1	2	1	2	1	2	1	2	1	2		
	350	1	2	-	-	-	-	1	2	1	2	1	2	1	2	1	2		
	500	-	-	1	2	-	-	1	2	1	2	1	2	1	2	1	2		
Smart Cake / Kup / Lotis 115 adjustable LED GE	500	-	-	1	2	-	-	1	2	1	2	1	2	1	2	1	2		
	700	-	-	-	-	1	1	1	2	1	1	1	1	1	1	2	1		
	500	-	-	1	2	-	-	1	2	1	2	1	2	1	2	1	2		
Smart Cake / Kup / Lotis 115 adjustable WarmDim LED GE	350	1	1	-	-	-	-	1	1	1	1	1	1	-	-	1	1		
	350	1	1	-	-	-	-	1	1	1	1	1	1	1	1	1	1		
	500	-	-	1	1	-	-	1	1	1	1	1	1	1	1	1	1		
Smart Cake / Kup / Lotis 115 (diffuse) (IP54) LED GE	700	-	-	-	-	-	-	1	1	-	-	-	-	1	1	1	1		
	500	-	-	1	1	-	-	1	1	1	1	1	1	1	1	1	1		
	700	-	-	-	-	-	-	1	1	-	-	-	-	1	1	1	1		
	900	-	-	-	-	-	-	1	1	-	-	-	-	-	-	-	-		
Smart Cake / Kup / Lotis 160 (diffuse) (IP54) LED GE	1050	-	-	-	-	-	-	-	-	-	-	-	-	-	-	-	-		
	1200	-	-	-	-	-	-	-	-	-	-	-	-	-	-	-	-		
	1400	-	-	-	-	-	-	-	-	-	-	-	-	-	-	-	-		
	350	1	1	-	-	-	-	1	1	1	1	1	1	1	1	1	1		
Stove LED GE	500	-	-	1	1	-	-	1	1	1	1	1	1	1	1	1	1		
	350	1	2	-	-	-	-	1	2	1	2	1	2	1	2	1	2		
Thimble 70 trimless (adjustable) LED GE	500	-	-	1	2	-	-	1	2	1	2	1	2	1	2	1	2		
	350	1	2	-	-	-	-	1	2	1	2	1	2	1	2	1	2		
Thimble 74 (adjustable) LED GE	500	-	-	1	2	-	-	1	2	1	2	1	2	1	2	1	2		
	350	1	2	-	-	-	-	1	2	1	2	1	2	1	2	1	2		
Wink 82 LED GE	350	1	1	-	-	-	-	1	1	1	1	1	1	1	1	1	1		
	500	-	-	1	2	-	-	1	2	1	2	1	2	1	2	1	2		
	700	-	-	-	-	-	-	1	1	-	-	-	-	1	1	1	1		
Wink 115 LED GE	350	1	1	-	-	-	-	1	1	1	1	1	1	1	1	1	1		
	500	-	-	1	1	-	-	1	1	1	1	1	1	1	1	1	1		
	700	-	-	-	-	-	-	1	1	-	-	-	-	1	1	1	1		

11630930		11631030		11631130		12407830		12408330		12404530		12406530		12406630		12406730		12406830		12404730		12404030	
1-10V hybrid deepdim		1-10V hybrid deepdim		1-10V hybrid deepdim		DALI/1-10V/PUSH		DALI/1-10V/PUSH		DALI/1-10V/PUSH		DALI/1-10V/PUSH		1-10V/PUSH		1-10V/PUSH		DALI/1-10V/PUSH		DALI/1-10V/PUSH		DALI/1-10V/PUSH	
153x76.2x301		153x76.2x301		153x76.2x301		124x79x22		124x79x22		124x79x22		124x79x22		124x79x22		124x79x22		124x79x22		169x83x35		129x79x30	
84		84		84		84		84		85		85		85		85		85		88		90	
2		2		2		1		1		1		1		1		1		1		1		1	
22		22		22		30		30		15		30		15		15		30		15		15	
min	max	min	max	min	max	min	max	min	max	min	max	min	max	min	max	min	max	min	max	min	max	min	max
-	-	-	-	-	-	2	6	2	6	-	-	-	-	-	-	-	-	-	-	-	-	-	
-	-	-	-	-	-	1	3	1	3	-	-	-	-	-	-	-	-	-	-	-	-	-	
-	-	-	-	-	-	1/2	2	1/2	2	-	-	-	-	-	-	-	-	-	-	-	-	-	
-	-	-	-	-	-	1/2	1	1/2	1	-	-	-	-	-	-	-	-	-	-	-	-	-	
-	-	-	-	-	-	2	6	2	6	-	-	-	-	-	-	-	-	-	-	-	-	-	
-	-	-	-	-	-	1	3	1	3	-	-	-	-	-	-	-	-	-	-	-	-	-	
-	-	-	-	-	-	1/2	2	1/2	2	-	-	-	-	-	-	-	-	-	-	-	-	-	
-	-	-	-	-	-	1/2	1	1/2	1	-	-	-	-	-	-	-	-	-	-	-	-	-	
1	4	-	-	-	-	2	9	2	9	1	9	1	5	1	5	1	5	1	5	1	5	-	-
-	-	1	4	-	-	1	9	1	9	1	8	1	5	1	5	1	5	1	5	1	5	-	-
1/2	2	-	-	-	-	1	4	1	4	1/2	4	1/2	2	1/2	2	1/2	2	1/2	2	1/2	2	-	-
-	-	1/2	2	-	-	1/2	4	1/2	4	1/2	4	1/2	2	1/2	2	1/2	2	1/2	2	1/2	2	-	-
1	1	-	-	-	-	1	3	1	3	1	3	1	2	1	2	1	2	1	2	1	2	-	-
-	-	1	1	-	-	1	3	1	3	1	2	1	2	1	2	1	2	1	2	1	2	-	-
1	1	-	-	-	-	1	3	1	3	-	-	1	1	1	1	1	1	1	1	1	1	-	-
1	1	-	-	-	-	1	3	1	3	1	3	1	2	1	2	1	2	1	2	1	2	-	-
1	1	-	-	-	-	1	3	1	3	1	3	1	2	1	2	1	2	1	2	1	2	-	-
-	-	1	1	-	-	1	3	1	3	1	2	1	1	1	1	1	1	1	1	1	1	-	-
1	3	-	-	-	-	2	6	2	6	1	6	1	4	1	4	1	4	1	4	1	4	1	3
-	-	1	2	-	-	1	6	1	6	1	5	1	3	1	3	1	3	1	3	1	3	1	3
1	1	-	-	-	-	1	3	1	3	-	-	1	1	1	1	1	1	1	1	1	1	-	-
1	3	-	-	-	-	2	6	2	6	1	6	1	4	1	4	1	4	1	4	1	4	1	3
-	-	1	2	-	-	1	6	1	6	1	5	1	3	1	3	1	3	1	3	1	3	1	3
1	1	-	-	-	-	1	3	1	3	-	-	1	1	1	1	1	1	1	1	1	1	-	-
1	1	-	-	-	-	1	3	1	3	-	-	1	1	1	1	1	1	1	1	1	1	-	-
1	2	-	-	-	-	2	5	2	5	1	5	1	3	1	3	1	3	1	3	1	3	1	3
-	-	1	2	-	-	1	5	1	5	1	5	1	3	1	3	1	3	1	3	1	3	1	3
1	18	-	-	-	-	7	37	7	37	1	37	1	23	1	23	1	23	1	23	1	23	1	23
-	-	1	18	-	-	2	37	2	37	1	33	1	23	1	23	1	23	1	23	1	23	1	23
-	-	-	-	-	-	2	6	2	6	-	-	-	-	-	-	-	-	-	-	-	-	-	-
1	5	-	-	-	-	3	11	3	11	1	11	1	7	1	7	1	7	1	7	1	7	1	7
-	-	1	5	-	-	1	11	1	11	1	10	1	7	1	7	1	7	1	7	1	7	1	7
1	2	-	-	-	-	2	6	2	6	-	-	1	3	1	3	1	3	1	3	1	3	-	-
1	2	-	-	-	-	2	5	2	5	1	5	1	3	1	3	1	3	1	3	1	3	1	3
-	-	1	2	-	-	1	5	1	5	1	5	1	3	1	3	1	3	1	3	1	3	1	3
-	-	-	-	1	2	1	4	1	4	1	3	1	3	1	3	1	3	1	3	1	3	1	3
1	2	-	-	-	-	2	5	2	5	1	5	1	3	1	3	1	3	1	3	1	3	1	3
-	-	1	2	-	-	1	5	1	5	1	5	1	3	1	3	1	3	1	3	1	3	1	3
1	2	-	-	-	-	2	5	2	5	1	5	1	3	1	3	1	3	1	3	1	3	1	3
-	-	1	2	-	-	1	5	1	5	1	5	1	3	1	3	1	3	1	3	1	3	1	3
-	-	-	-	1	2	-	-	1	5	1	5	1	3	1	3	1	3	1	3	1	3	1	3
-	-	-	-	1	2	1	4	1	4	1	3	1	3	1	3	1	3	1	3	1	3	1	3
1	1	-	-	-	-	1	3	1	3	-	-	1	1	1	1	1	1	1	1	1	1	-	-
1	1	-	-	-	-	1	3	1	3	1	3	1	2	1	2	1	2	1	2	1	2	1	2
-	-	1	1	-	-	1	3	1	3	1	2	1	2	1	2	1	2	1	2	1	2	1	2
-	-	-	-	1	1	1	2	1	2	1	1	1	1	1	1	1	1	1	1	1	1	1	1
-	-	1	1	-	-	1	3	1	3	1	2	1	1	1	1	1	1	1	1	1	1	1	1
-	-	-	-	-	-	-	-	-	-	-	-	-	1	1	1	1	1	1	1	1	1	1	1
-	-	-	-	-	-	-	-	-	-	-	-	-	-	-	-	-	-	-	-	-	-	-	1
-	-	-	-	-	-	-	-	-	-	-	-	-	-	-	-	-	-	-	-	-	-	-	1
1	1	-	-	-	-	1	3	1	3	1	3	1	2	1	2	1	2	1	2	1	2	1	2
-	-	1	1	-	-	1	3	1	3	1	2	1	2	1	2	1	2	1	2	1	2	1	2
1	3	-	-	-	-	2	6	2	6	1	6	1	3	1	3	1	3	1	3	1	3	1	3
-	-	1	3	-	-	1	6	1	6	1	5	1	3	1	3	1	3	1	3	1	3	1	3
1	3	-	-	-	-	2	6	2	6	1	6	1	3	1	3	1	3	1	3	1	3	1	3
-	-	1	3	-	-	1	6	1	6	1	5	1	3	1	3	1	3	1	3	1	3	1	3
-	-	1	3	-	-	1	6	1	6	1	5	1	3	1	3	1	3	1	3	1	3	1	3
1	2	-	-	-	-	2	5	2	5	1	5	1	3	1	3	1	3	1	3	1	3	1	3
-	-	1	2	-	-	1	5	1	5	1	5	1	3	1	3	1	3	1	3	1	3	1	3
1	1	-	-	-	-	1	3	1	3	1	3	1	2	1	2	1	2	1	2	1	2	1	2
-	-	1	1	-	-	1	3	1	3	1	2	1	2	1	2	1	2	1	2	1	2	1	2
-	-	-	-	1	1	1	2	1	2	1	1	1	1	1	1	1	1	1	1	1	1	1	1
-	-	-	-	1	1	1	2	1	2	1	1	1	1	1	1	1	1	1	1	1	1	1	1
-	-	-	-	1	1	1	2	1	2	1	1	1	1	1	1	1	1	1	1	1	1	1	1
-	-	-	-	1	1	1	2	1	2	1	1	1	1	1	1	1	1	1	1	1	1	1	1

Driver matrix - Dali dimmable

(number of products allowed per driver)

DALI	11630030			11630130		11630230		12405630		12407630		12407930		12403230	
	DALI hybrid deepdim			DALI hybrid deepdim		DALI hybrid deepdim		DALI		DALI		DALI		DALI	
	Dimensions (LxWxH)			Dimensions (LxWxH)		Dimensions (LxWxH)		Dimensions (LxWxH)		Dimensions (LxWxH)		Dimensions (LxWxH)		Dimensions (LxWxH)	
	min. cutout hole			min. cutout hole		min. cutout hole		min. cutout hole		min. cutout hole		min. cutout hole		min. cutout hole	
	*Number of LED output channels			*Number of LED output channels		*Number of LED output channels		*Number of LED output channels		*Number of LED output channels		*Number of LED output channels		*Number of LED output channels	
Max drivers on MCB 16A type B			Max drivers on MCB 16A type B		Max drivers on MCB 16A type B		Max drivers on MCB 16A type B		Max drivers on MCB 16A type B		Max drivers on MCB 16A type B		Max drivers on MCB 16A type B		
FIXTURE	mA	min	max	min	max	min	max	min	max	min	max	min	max	min	max
Chapeau 206 LED GE	350	1	1	-	-	-	-	1	1	1	1	1	1	1	1
	500	-	-	1	1	-	-	1	1	1	1	1	1	1	1
Dent large LED GE	350	-	-	-	-	-	-	1	1	-	-	-	-	-	-
Dent medium LED GE	350	-	-	-	-	-	-	1	1	-	-	-	-	-	-
Dent small LED GE	350	1	1	-	-	-	-	1	2	1	2	1	2	1	2
Duell recessed 1x LED GE	350	1	2	-	-	-	-	1	2	1	2	1	2	1	2
	500	-	-	1	2	-	-	1	2	1	2	1	2	1	2
Duell recessed 2x LED GE	350	1/2	1	-	-	-	-	1/2	1	1/2	1	1/2	1	1/2	1
	500	-	-	1/2	1	-	-	1/2	1	1/2	1	1/2	1	1/2	1
Hipy 110 IP67 LED GE	350	1	2	-	-	-	-	1	2	1	2	1	2	1	2
Hipy 70 IP67 LED GE	350	1	4	-	-	-	-	2	5	1	4	1	4	1	4
Hollow 115 Trimless LED GE	350	1	2	-	-	-	-	1	3	1	2	1	2	1	2
	500	-	-	1	2	-	-	1	2	1	2	1	2	1	2
Hollow 125 LED GE	350	1	2	-	-	-	-	1	3	1	2	1	2	1	2
	500	-	-	1	2	-	-	1	2	1	2	1	2	1	2
Julien IP54 LED GE	350	1	3	-	-	-	-	1	4	1	3	1	3	1	3
	350	1	1	-	-	-	-	1	1	1	1	1	1	1	1
K120 Adjustable LED GE	500	-	-	1	1	-	-	1	1	1	1	1	1	1	1
	700	-	-	-	-	-	-	1	1	-	-	-	-	-	-
K72 IP54 LED GE	350	1	2	-	-	-	-	1	2	1	2	1	2	1	2
	500	-	-	1	2	-	-	1	2	1	2	1	2	1	2
K77 adjustable LED GE	350	1	2	-	-	-	-	1	2	1	2	1	2	1	2
	500	-	-	1	2	-	-	1	2	1	2	1	2	1	2
Kurk IP40 LED GE	350	1	1	-	-	-	-	1	2	1	2	1	2	1	2
	500	-	-	1	1	-	-	1	2	1	1	1	1	1	2
Kurk IP40 LED GE	700	-	-	-	-	1	1	1	2	1	1	1	1	1	2
	350	1	1	-	-	-	-	1	2	1	2	1	2	1	2
Kurk Surface IP40 GE	500	-	-	1	1	-	-	1	2	1	1	1	1	1	2
	700	-	-	-	-	1	1	1	2	1	1	1	1	1	2
Lotis 82 (concrete) LED GE	350	1	2	-	-	-	-	1	2	1	2	1	2	1	2
	500	-	-	1	2	-	-	1	2	1	2	1	2	1	2
Lotis 86 IP55 LED GE	350	1	2	-	-	-	-	1	2	1	2	1	2	1	2
	500	-	-	1	2	-	-	1	2	1	2	1	2	1	2
Lotis 97 (concrete) adjustable LED GE	350	1	2	-	-	-	-	1	2	1	2	1	2	1	2
	500	-	-	1	2	-	-	1	2	1	2	1	2	1	2
Lotis Square (IP55) LED GE	350	1	2	-	-	-	-	1	2	1	2	1	2	1	2
	500	-	-	1	2	-	-	1	2	1	2	1	2	1	2
Marbul recessed 1x LED GE	350	1	2	-	-	-	-	1	2	1	2	1	2	1	2
	500	-	-	1	2	-	-	1	2	1	2	1	2	1	2
Marbul recessed 2x LED GE	350	1/2	1	-	-	-	-	1/2	1	1/2	1	1/2	1	1/2	1
	500	-	-	1/2	1	-	-	1/2	1	1/2	1	1/2	1	1/2	1
Marbul recessed WarmDim 1x LED GE	350	1	1	-	-	-	-	1	1	1	1	1	1	-	-
	350	1/2	1/2	-	-	-	-	1/2	1/2	1/2	1/2	1/2	1/2	-	-
Marbul recessed WarmDim 2x LED GE	350	1	2	-	-	-	-	1	2	1	2	1	2	1	2
	500	-	-	1	2	-	-	1	2	1	2	1	2	1	2
Marbul suspension (adjustable) LED GE	350	1	1	-	-	-	-	1	1	1	1	1	1	1	1
	500	-	-	1	2	-	-	1	2	1	2	1	2	1	2
Marbul suspension (adjustable) WarmDim LED GE	350	1	1	-	-	-	-	1	1	1	1	1	1	-	-
	350	1	1	-	-	-	-	1	1	1	1	1	1	1	1
Marcel 1x LED GE	500	-	-	1	1	-	-	1	1	1	1	1	1	1	1
	700	-	-	-	-	-	-	1	1	-	-	-	-	1	1
	350	1/2	1/2	-	-	-	-	1/2	1/2	1/2	1/2	1/2	1/2	1/2	1/2
Marcel 2x LED GE	500	-	-	1/2	1/2	-	-	1/2	1/2	1/2	1/2	1/2	1/2	1/2	1/2
	700	-	-	-	-	-	-	1/2	1/2	-	-	-	-	1/2	1/2
	350	1/3	1/3	-	-	-	-	1/3	1/3	1/3	1/3	1/3	1/3	1/3	1/3
Marcel 3x LED GE	500	-	-	1/3	1/3	-	-	1/3	1/3	1/3	1/3	1/3	1/3	1/3	1/3
	700	-	-	-	-	-	-	1/3	1/3	-	-	-	-	1/3	1/3
	350	1	4	-	-	-	-	2	5	1	5	1	5	1	5
Médard 42 recessed LED GE	500	-	-	1	4	-	-	2	5	1	4	1	4	1	4
	350	1	2	-	-	-	-	1	2	1	2	1	2	-	-
Médard 42 recessed WarmDim LED GE	350	1	2	-	-	-	-	1	2	1	2	1	2	-	-
	350	1	2	-	-	-	-	1	2	1	2	1	2	1	2
Médard 42 semi-recessed LED GE	500	-	-	1	2	-	-	1	2	1	2	1	2	1	2
	700	-	-	-	-	1	1	2	1	1	1	1	1	1	2
Médard 42 semi-recessed WarmDim LED GE	350	1	2	-	-	-	-	1	2	1	2	1	2	-	-

Driver matrix - Dali dimmable

(number of products allowed per driver)

DALI	11630030		11630130		11630230		12405630		12407630		12407930		12403230		
	DALI hybrid deepdim		DALI hybrid deepdim		DALI hybrid deepdim		DALI		DALI		DALI		DALI		
Dimensions (LxWxH)	160x41.5x30.5		160x41.5x30.5		160x41.5x30.5		146.5x44x30		110.4x52x22		110.4x52x22		103x67x21		
min. cutout hole	54		54		54		54		55		55		72		
*Number of LED output channels	1		1		1		1		1		1		1		
Max drivers on MCB 16A type B	106		106		106		50		50		50		50		
FIXTURE	mA	min	max	min	max	min	max	min	max	min	max	min	max	min	max
Médard 70 recessed LED GE	350	1	2	-	-	-	-	1	2	1	2	1	2	1	2
	500	-	-	1	2	-	-	1	2	1	2	1	2	1	2
	700	-	-	-	-	1	1	1	2	1	1	1	1	1	2
Médard 70 recessed WarmDim LED GE	350	1	1	-	-	-	-	1	1	1	1	1	1	-	-
	350	1	1	-	-	-	-	1	1	1	1	1	1	1	1
Médard 70 semi-recessed LED GE	350	-	-	1	1	-	-	1	1	1	1	1	1	1	1
	500	-	-	1	1	-	-	1	1	1	1	1	1	1	1
Médard 70 semi-recessed WarmDim LED GE	350	1	1	-	-	-	-	1	1	1	1	1	1	-	-
	350	1	1	-	-	-	-	1	1	1	1	1	1	1	1
Médard 70 stretched semi-recessed 1X LED GE	350	-	-	1	1	-	-	1	1	1	1	1	1	1	1
	500	-	-	1	1	-	-	1	1	1	1	1	1	1	1
Médard 70 stretched semi-recessed 2X LED GE	350	1/2	1/2	-	-	-	-	1/2	1/2	1/2	1/2	1/2	1/2	1/2	1/2
	500	-	-	1/2	1/2	-	-	1/2	1/2	1/2	1/2	1/2	1/2	1/2	1/2
Médard 70 stretched semi-recessed warm dim 1X LED GE	350	1	1	-	-	-	-	1	1	1	1	1	1	-	-
	350	1/2	1/2	-	-	-	-	1/2	1/2	1/2	1/2	1/2	1/2	-	-
Médard 70 stretched semi-recessed warm dim 2X LED GE	350	1	2	-	-	-	-	1	2	1	2	1	2	1	2
	500	-	-	1	2	-	-	1	2	1	2	1	2	1	2
	350	1/2	1	-	-	-	-	1/2	1	1/2	1	1/2	1	1/2	1
Mini-multiple 2x LED GE	500	-	-	1/2	1	-	-	1/2	1	1/2	1	1/2	1	1/2	1
	350	1/3	1/2	-	-	-	-	1/3	1/2	1/3	1/2	1/3	1/2	1/3	1/2
Mini-multiple 3x LED GE	500	-	-	1/3	1/2	-	-	1/3	1/2	1/3	1/2	1/3	1/2	1/3	1/2
	350	1/4	1/2	-	-	-	-	1/4	1/2	1/4	1/2	1/4	1/2	1/4	1/2
Mini-multiple 4x LED GE	500	-	-	1/4	1/2	-	-	1/4	1/2	1/4	1/2	1/4	1/2	1/4	1/2
	350	1	2	-	-	-	-	1	2	1	2	1	2	1	2
Minude 45 ceiling recessed adjustable LED GE	500	-	-	1	2	-	-	1	2	1	2	1	2	1	2
	350	1	2	-	-	-	-	1	2	1	2	1	2	1	2
M-LED 050 GE	500	-	-	1	2	-	-	1	2	1	2	1	2	1	2
	350	1	2	-	-	-	-	1	2	1	2	1	2	1	2
M-LED 050 WarmDim GE	500	-	-	1	2	-	-	1	2	1	2	1	2	-	-
	350	1	2	-	-	-	-	1	2	1	2	1	2	1	2
M-LED 070 GE	500	-	-	1	2	-	-	1	2	1	2	1	2	1	2
	350	1	2	-	-	-	-	1	2	1	2	1	2	-	-
M-LED 070 WarmDim GE	500	1	1	-	-	-	-	1	1	1	1	1	1	1	1
	500	-	-	1	1	-	-	1	1	1	1	1	1	1	1
M-LED 111 GE	700	-	-	-	-	-	-	1	1	-	-	-	-	1	1
	350	1/2	1/2	-	-	-	-	1/2	1/2	1/2	1/2	1/2	1/2	1/2	1/2
	500	-	-	1/2	1/2	-	-	1/2	1/2	1/2	1/2	1/2	1/2	1/2	1/2
Nomad 111 2x LED GE	700	-	-	-	-	-	-	1/2	1/2	-	-	-	-	1/2	1/2
	350	1/4	1/4	-	-	-	-	1/4	1/4	1/4	1/4	1/4	1/4	1/4	1/4
	500	-	-	1/4	1/4	-	-	1/4	1/4	1/4	1/4	1/4	1/4	1/4	1/4
Nomad 111 4x LED GE	700	-	-	-	-	-	-	1/4	1/4	-	-	-	-	1/4	1/4
	500	-	-	1	1	-	-	1	1	1	1	1	1	1	1
	1050	-	-	-	-	-	-	-	-	-	-	-	-	-	-
Pupil LED GE	350	1	4	-	-	-	-	2	5	1	5	1	5	1	5
	500	-	-	1	4	-	-	2	5	1	4	1	4	1	4
	700	-	-	-	-	1	2	1	5	1	2	1	2	1	4
Pupil WarmDim LED GE	350	1	2	-	-	-	-	1	2	1	2	1	2	-	-
	350	1	4	-	-	-	-	2	5	1	5	1	5	1	5
Qbini fix/adjustable/asy 1x LED GE	500	-	-	1	4	-	-	2	5	1	4	1	4	1	4
	350	1/2	2	-	-	-	-	1	2	1/2	2	1/2	2	1/2	2
Qbini fix/adjustable/asy 2x LED GE	500	-	-	1/2	2	-	-	1	2	1/2	2	1/2	2	1/2	2
	350	1/3	1	-	-	-	-	1/2	1	1/3	1	1/3	1	1/3	1
Qbini fix/adjustable/asy 3x LED GE	500	-	-	1/3	1	-	-	1/2	1	1/3	1	1/3	1	1/3	1
	350	1/4	1	-	-	-	-	1/2	1	1/4	1	1/4	1	1/4	1
Qbini fix/adjustable/asy 4x LED GE	500	-	-	1/4	1	-	-	1/2	1	1/4	1	1/4	1	1/4	1
	350	1	4	-	-	-	-	2	5	1	5	1	5	1	5
Qbini fix/adjustable/asy trimless 1x LED GE	500	-	-	1	4	-	-	2	5	1	4	1	4	1	4
	350	1/2	2	-	-	-	-	1	2	1/2	2	1/2	2	1/2	2
Qbini fix/adjustable/asy trimless 2x LED GE	500	-	-	1/2	2	-	-	1	2	1/2	2	1/2	2	1/2	2
	350	1/3	1	-	-	-	-	1/2	1	1/3	1	1/3	1	1/3	1
Qbini fix/adjustable/asy trimless 3x LED GE	500	-	-	1/3	1	-	-	1/2	1	1/3	1	1/3	1	1/3	1
	350	1/4	1	-	-	-	-	1/2	1	1/4	1	1/4	1	1/4	1
Qbini fix/adjustable/asy trimless 4x LED GE	500	-	-	1/4	1	-	-	1/2	1	1/4	1	1/4	1	1/4	1
	250	-	-	-	-	-	-	-	-	1	2	1	2	-	-
Qbini fix/adjustable/asy trimless WarmDim 1x LED GE	250	-	-	-	-	-	-	-	-	1/2	1	1/2	1	-	-
Qbini fix/adjustable/asy trimless WarmDim 2x LED GE	250	-	-	-	-	-	-	-	-	1/3	1/2	1/3	1/2	-	-
Qbini fix/adjustable/asy trimless WarmDim 3x LED GE	250	-	-	-	-	-	-	-	-	1/4	1/2	1/4	1/2	-	-
Qbini fix/adjustable/asy trimless WarmDim 4x LED GE	250	-	-	-	-	-	-	-	-	1/4	1/2	1/4	1/2	-	-

12408130		11630630		11630730		11630830		12407830		12408330		12404530		12406530		12406830		12404730		12404030	
DALI		DALI hybrid deepdim		DALI hybrid deepdim		DALI hybrid deepdim		DALI/1-10V/PUSH		DALI/1-10V/PUSH		DALI/1-10V/PUSH		DALI/1-10V/PUSH		DALI/1-10V/PUSH		DALI/1-10V/PUSH		DALI/1-10V/PUSH	
103x67x21		153x76.2x30.1		153x76.2x30.1		153x76.2x30.1		124x79x22		124x79x22		124x79x22		124x79x22		124x79x22		161x83x35		129x79x30	
72		84		84		84		84		84		85		85		85		88		90	
1		2		2		2		1		1		1		1		1		1		1	
50		22		22		22		30		30		15		30		30		15		15	
min	max	min	max	min	max	min	max	min	max	min	max	min	max	min	max	min	max	min	max	min	max
1	2	1	2	-	-	-	-	2	5	2	5	1	5	1	3	1	3	1	3	-	-
1	2	-	-	1	2	-	-	1	5	1	5	1	5	1	3	1	3	1	3	-	-
1	2	-	-	-	-	1	2	1	4	1	4	1	3	1	3	1	3	1	3	-	-
1	1	1	1	-	-	-	-	1	3	1	3	1	3	1	1	1	1	-	-	-	-
1	1	1	1	-	-	-	-	1	3	1	3	1	3	1	2	1	2	1	2	-	-
1	1	-	-	1	1	-	-	1	3	1	3	1	2	1	2	1	2	1	2	-	-
1	1	1	1	-	-	-	-	1	3	1	3	1	3	1	1	1	1	-	-	-	-
1	1	1	1	-	-	-	-	1	3	1	3	1	3	1	2	1	2	1	2	-	-
1	1	-	-	1	1	-	-	1	3	1	3	1	2	1	2	1	2	1	2	-	-
1/2	1/2	1/2	1/2	-	-	-	-	1/2	1	1/2	1	1/2	1	1/2	1	1/2	1	1/2	1	-	-
1/2	1/2	-	-	1/2	1/2	-	-	1/2	1	1/2	1	1/2	1	1/2	1	1/2	1	1/2	1	-	-
1	1	1	1	-	-	-	-	1	3	1	3	1	3	1	1	1	1	-	-	-	-
1/2	1/2	1/2	1/2	-	-	-	-	1/2	1	1/2	1	1/2	1	1/2	1/2	1/2	1/2	-	-	-	-
1	2	1	2	-	-	-	-	2	5	2	5	1	5	1	3	1	3	1	3	-	-
1	2	-	-	1	2	-	-	1	5	1	5	1	5	1	3	1	3	1	3	-	-
1/2	1	1/2	1	-	-	-	-	1	2	1	2	1/2	2	1/2	1	1/2	1	1/2	1	-	-
1/2	1	-	-	1/2	1	-	-	1/2	2	1/2	2	1/2	2	1/2	1	1/2	1	1/2	1	-	-
1/3	1/2	1/3	1/2	-	-	-	-	1/2	1	1/2	1	1/3	1	1/3	1	1/3	1	1/3	1	-	-
1/3	1/2	-	-	1/3	1/2	-	-	1/3	1	1/3	1	1/3	1	1/3	1	1/3	1	1/3	1	-	-
1/4	1/2	1/4	1/2	-	-	-	-	1/2	1	1/2	1	1/4	1	1/4	1/2	1/4	1/2	1/4	1/2	-	-
1/4	1/2	-	-	1/4	1/2	-	-	1/4	1	1/4	1	1/4	1	1/4	1/2	1/4	1/2	1/4	1/2	-	-
1	2	1	3	-	-	-	-	2	6	2	6	1	6	1	3	1	3	1	3	-	-
1	2	-	-	1	3	-	-	1	6	1	6	1	5	1	3	1	3	1	3	-	-
1	2	1	2	-	-	-	-	2	5	2	5	1	5	1	3	1	3	1	3	-	-
1	2	-	-	1	2	-	-	1	5	1	5	1	5	1	3	1	3	1	3	-	-
1	2	1	2	-	-	-	-	2	6	2	6	1	6	1	3	1	3	-	-	-	-
1	2	1	2	-	-	-	-	2	5	2	5	1	5	1	3	1	3	1	3	-	-
1	2	-	-	1	2	-	-	1	5	1	5	1	5	1	3	1	3	1	3	-	-
1	2	1	2	-	-	-	-	2	6	2	6	1	6	1	3	1	3	-	-	-	-
1	1	1	1	-	-	-	-	1	3	1	3	1	3	1	2	1	2	1	2	-	-
1	1	-	-	1	1	-	-	1	3	1	3	1	2	1	2	1	2	1	2	-	-
1	1	-	-	-	-	1	1	1	2	1	2	1	1	1	1	1	1	1	1	-	-
1/2	1/2	1/2	1/2	-	-	-	-	1/2	1	1/2	1	1/2	1	1/2	1	1/2	1	1/2	1	-	-
1/2	1/2	-	-	1/2	1/2	-	-	1/2	1	1/2	1	1/2	1	1/2	1	1/2	1	1/2	1	-	-
1/2	1/2	-	-	-	-	1/2	1/2	1/2	1	1/2	1	1/2	1/2	1/2	1/2	1/2	1/2	1/2	1/2	-	-
1/4	1/4	1/4	1/4	-	-	-	-	1/4	1/2	1/4	1/2	1/4	1/2	1/4	1/2	1/4	1/2	1/4	1/2	-	-
1/4	1/4	-	-	1/4	1/4	-	-	1/4	1/2	1/4	1/2	1/4	1/2	1/4	1/2	1/4	1/2	1/4	1/2	-	-
1	1	-	-	1	1	-	-	1	3	1	3	1	2	1	1	1	1	1	1	-	-
-	-	-	-	-	-	-	-	-	-	-	-	-	-	1	1	1	1	1	1	1	1
1	5	1	5	-	-	-	-	3	11	3	11	1	11	1	7	1	7	1	7	-	-
1	4	-	-	1	5	-	-	1	11	1	11	1	10	1	7	1	7	1	7	-	-
1	4	-	-	-	-	1	5	1	8	1	8	1	6	1	7	1	7	1	6	-	-
1	2	1	2	-	-	-	-	2	6	2	6	1	6	1	3	1	3	-	-	-	-
1	5	1	5	-	-	-	-	3	11	3	11	1	11	1	7	1	7	1	7	-	-
1	4	-	-	1	5	-	-	1	11	1	11	1	10	1	7	1	7	1	7	-	-
1/2	2	1/2	2	-	-	-	-	1	5	1	5	1/2	5	1/2	3	1/2	3	1/2	3	-	-
1/2	2	-	-	1/2	2	-	-	1/2	5	1/2	5	1/2	5	1/2	3	1/2	3	1/2	3	-	-
1/3	1	1/3	1	-	-	-	-	1	3	1	3	1/3	3	1/3	2	1/3	2	1/3	2	-	-
1/3	1	-	-	1/3	1	-	-	1/3	3	1/3	3	1/3	3	1/3	2	1/3	2	1/3	2	-	-
1/4	1	1/4	1	-	-	-	-	1/2	2	1/2	2	1/4	2	1/4	1	1/4	1	1/4	1	-	-
1/4	1	-	-	1/4	1	-	-	1/4	2	1/4	2	1/4	2	1/4	1	1/4	1	1/4	1	-	-
1	5	1	5	-	-	-	-	3	11	3	11	1	11	1	7	1	7	1	7	-	-
1	4	-	-	1	5	-	-	1	11	1	11	1	10	1	7	1	7	1	7	-	-
1/2	2	1/2	2	-	-	-	-	1	5	1	5	1/2	5	1/2	3	1/2	3	1/2	3	-	-
1/2	2	-	-	1/2	2	-	-	1/2	5	1/2	5	1/2	5	1/2	3	1/2	3	1/2	3	-	-
1/3	1	1/3	1	-	-	-	-	1	3	1	3	1/3	3	1/3	2	1/3	2	1/3	2	-	-
1/3	1	-	-	1/3	1	-	-	1/3	3	1/3	3	1/3	3	1/3	2	1/3	2	1/3	2	-	-
1/4	1	1/4	1	-	-	-	-	1/2	2	1/2	2	1/4	2	1/4	1	1/4	1	1/4	1	-	-
1/4	1	-	-	1/4	1	-	-	1/4	2	1/4	2	1/4	2	1/4	1	1/4	1	1/4	1	-	-
1	2	-	-	-	-	-	-	2	6	2	6	1	6	-	-	-	-	-	-	-	-
1/2	1	-	-	-	-	-	-	1	3	1	3	1/2	3	-	-	-	-	-	-	-	-
1/3	1/2	-	-	-	-	-	-	1/2	2	1/2	2	1/3	2	-	-	-	-	-	-	-	-
1/4	1/2	-	-	-	-	-	-	1/2	1	1/2	1	1/4	1	-	-	-	-	-	-	-	-

Driver matrix - Dali dimmable

(number of products allowed per driver)

DALI	11630030		11630130		11630230		12405630		12407630		12407930		12403230		
	DALI hybrid deepdim		DALI hybrid deepdim		DALI hybrid deepdim		DALI		DALI		DALI		DALI		
Dimensions (LxWxH)	160x41.5x30.5		160x41.5x30.5		160x41.5x30.5		146.5x44x30		110.4x52x22		110.4x52x22		103x67x21		
min. cutout hole	54		54		54		54		55		55		72		
*Number of LED output channels	1		1		1		1		1		1		1		
Max drivers on MCB 16A type B	106		106		106		50		50		50		50		
FIXTURE	mA	min	max	min	max	min	max	min	max	min	max	min	max	min	max
Qbini fix/adjustable/asy WarmDim 1x LED GE	250	-	-	-	-	-	-	-	-	1	2	1	2	-	-
Qbini fix/adjustable/asy WarmDim 2x LED GE	250	-	-	-	-	-	-	-	-	1/2	1	1/2	1	-	-
Qbini fix/adjustable/asy WarmDim 3x LED GE	250	-	-	-	-	-	-	-	-	1/3	1/2	1/3	1/2	-	-
Qbini fix/adjustable/asy WarmDim 4x LED GE	250	-	-	-	-	-	-	-	-	1/4	1/2	1/4	1/2	-	-
Qbini general 2X LED GE	350	1	3	-	-	-	-	1	4	1	3	1	3	1	3
	500	-	-	1	3	-	-	1	4	1	3	1	3	1	3
Qbini general 4X LED GE	350	1/2	1	-	-	-	-	1/2	2	1/2	1	1/2	1	1/2	1
	500	-	-	1/2	1	-	-	1/2	2	1/2	1	1/2	1	1/2	1
Rektor Recessed LED GE	350	1	1	-	-	-	-	1	1	1	1	1	1	1	1
	500	-	-	1	1	-	-	1	1	1	1	1	1	1	1
Rektor Recessed WarmDim LED GE	350	1	1	-	-	-	-	1	1	1	1	1	1	-	-
Scotty 270 adjustable LED GE	350	1	1	-	-	-	-	1	1	1	1	1	1	1	1
Scotty 270 LED GE	350	1	1	-	-	-	-	1	1	1	1	1	1	1	1
	500	-	-	1	1	-	-	1	1	1	1	1	1	1	1
Shellby 176 trimless LED GE	350	1	2	-	-	-	-	1	3	1	2	1	2	1	2
	500	-	-	1	2	-	-	1	2	1	2	1	2	1	2
Shellby 176 trimless WarmDim LED GE	350	1	1	-	-	-	-	1	1	1	1	1	1	-	-
	350	1	2	-	-	-	-	1	3	1	2	1	2	1	2
Shellby 184 LED GE	500	-	-	1	2	-	-	1	2	1	2	1	2	1	2
	350	1	1	-	-	-	-	1	1	1	1	1	1	-	-
Shellby 184 WarmDim LED GE	350	1	2	-	-	-	-	1	2	1	2	1	2	1	2
	500	-	-	1	2	-	-	1	2	1	2	1	2	1	2
Slide IP54 LED GE	350	1	13	-	-	-	-	4	17	1	16	1	16	2	16
	500	-	-	1	13	-	-	4	18	1	13	1	13	2	16
Smart Cake / Kup / Lotis / (asy) 48 (IP54) LED GE	250	-	-	-	-	-	-	-	-	1	2	1	2	-	-
Smart Cake / Kup / Lotis / (asy) 48 WarmDim (IP55) LED GE	350	1	4	-	-	-	-	2	5	1	5	1	5	1	5
Smart Cake / Kup / Lotis / + (asy) 48 (IP54) LED GE	500	-	-	1	4	-	-	2	5	1	4	1	4	1	4
Smart Cake / Kup / Lotis 82 (adjustable) WarmDim LED GE (IP54)	350	1	2	-	-	-	-	1	2	1	2	1	2	-	-
Smart Cake / Kup / Lotis 82 (IP54) LED GE	350	1	2	-	-	-	-	1	2	1	2	1	2	1	2
	500	-	-	1	2	-	-	1	2	1	2	1	2	1	2
Smart Cake / Kup / Lotis 82 (IP54) LED GE	700	-	-	-	-	-	-	1	1	1	1	1	1	1	1
	350	1	2	-	-	-	-	1	2	1	2	1	2	1	2
Smart Cake / Kup / Lotis 82 adjustable LED GE	500	-	-	1	2	-	-	1	2	1	2	1	2	1	2
	700	-	-	-	-	-	-	1	1	1	1	1	1	1	1
Smart Cake / Kup / Lotis 115 adjustable LED GE	350	1	2	-	-	-	-	1	2	1	2	1	2	1	2
	500	-	-	1	2	-	-	1	2	1	2	1	2	1	2
Smart Cake / Kup / Lotis 115 adjustable WarmDim LED GE	700	-	-	-	-	-	-	1	1	1	1	1	1	1	1
	350	1	1	-	-	-	-	1	1	1	1	1	1	-	-
Smart Cake / Kup / Lotis 115 adjustable LED GE	350	1	1	-	-	-	-	1	1	1	1	1	1	1	1
	500	-	-	1	1	-	-	1	1	1	1	1	1	1	1
Smart Cake / Kup / Lotis 115 (diffuse) (IP54) LED GE	700	-	-	-	-	-	-	1	1	-	-	-	-	-	-
	500	-	-	1	1	-	-	1	1	1	1	1	1	1	1
Smart Cake / Kup / Lotis 115 (diffuse) (IP54) LED GE	700	-	-	-	-	-	-	1	1	-	-	-	-	-	-
	900	-	-	-	-	-	-	1	1	-	-	-	-	-	-
Smart Cake / Kup / Lotis 160 (diffuse) (IP54) LED GE	1050	-	-	-	-	-	-	-	-	-	-	-	-	-	-
	1200	-	-	-	-	-	-	-	-	-	-	-	-	-	-
Stove LED GE	1400	-	-	-	-	-	-	-	-	-	-	-	-	-	-
	350	1	1	-	-	-	-	1	1	1	1	1	1	1	1
Stove LED GE	500	-	-	1	1	-	-	1	1	1	1	1	1	1	1
	350	1	2	-	-	-	-	1	2	1	2	1	2	1	2
Thimble 70 trimless (adjustable) LED GE	500	-	-	1	2	-	-	1	2	1	2	1	2	1	2
	350	1	2	-	-	-	-	1	2	1	2	1	2	1	2
Thimble 74 (adjustable) LED GE	500	-	-	1	2	-	-	1	2	1	2	1	2	1	2
	350	1	2	-	-	-	-	1	2	1	2	1	2	1	2
Wink 82 LED GE	500	-	-	1	2	-	-	1	2	1	2	1	2	1	2
	350	1	2	-	-	-	-	1	2	1	2	1	2	1	2
Wink 115 LED GE	500	-	-	1	2	-	-	1	2	1	2	1	2	1	2
	700	-	-	1	1	-	-	1	1	1	1	1	1	1	1

12408130		11630630		11630730		11630830		12407830		12408330		12404530		12406530		12406830		12404730		12404030	
DALI		DALI hybrid deepdim		DALI hybrid deepdim		DALI hybrid deepdim		DALI/1-10V/PUSH		DALI/1-10V/PUSH		DALI/1-10V/PUSH		DALI/1-10V/PUSH		DALI/1-10V/PUSH		DALI/1-10V/PUSH		DALI/1-10V/PUSH	
103x67x21		153x76.2x30.1		153x76.2x30.1		153x76.2x30.1		124x79x22		124x79x22		124x79x22		124x79x22		124x79x22		161x83x35		129x79x30	
72		84		84		84		84		84		85		85		85		88		90	
1		2		2		2		1		1		1		1		1		1		1	
50		22		22		22		30		30		15		30		30		15		15	
min	max	min	max	min	max	min	max	min	max	min	max	min	max	min	max	min	max	min	max	min	max
1	2	-	-	-	-	-	-	2	6	2	6	1	6	-	-	-	-	-	-	-	-
1/2	1	-	-	-	-	-	-	1	3	1	3	1/2	3	-	-	-	-	-	-	-	-
1/3	1/2	-	-	-	-	-	-	1/2	2	1/2	2	1/3	2	-	-	-	-	-	-	-	-
1/4	1/2	-	-	-	-	-	-	1/2	1	1/2	1	1/4	1	-	-	-	-	-	-	-	-
1	3	1	4	-	-	-	-	2	9	2	9	1	9	1	5	1	5	1	5	-	-
1	3	-	-	1	4	-	-	1	9	1	9	1	8	1	5	1	5	1	5	-	-
1/2	1	1/2	2	-	-	-	-	1	4	1	4	1/2	4	1/2	2	1/2	2	1/2	2	-	-
1/2	1	-	-	1/2	2	-	-	1/2	4	1/2	4	1/2	4	1/2	2	1/2	2	1/2	2	-	-
1	1	1	1	-	-	-	-	1	3	1	3	1	3	1	2	1	2	1	2	-	-
1	1	-	-	1	1	-	-	1	3	1	3	1	2	1	2	1	2	1	2	-	-
1	1	1	1	-	-	-	-	1	3	1	3	1	3	1	1	1	1	1	-	-	-
1	1	1	1	-	-	-	-	1	3	1	3	1	3	1	2	1	2	1	2	-	-
1	1	-	-	1	1	-	-	1	3	1	3	1	2	1	1	1	1	1	-	-	-
1	2	1	3	-	-	-	-	2	6	2	6	1	6	1	4	1	4	1	3	-	-
1	2	-	-	1	2	-	-	1	6	1	6	1	5	1	3	1	3	1	3	-	-
1	1	1	1	-	-	-	-	1	3	1	3	1	3	1	1	1	1	-	-	-	-
1	2	1	3	-	-	-	-	2	6	2	6	1	6	1	4	1	4	1	3	-	-
1	2	-	-	1	2	-	-	1	6	1	6	1	5	1	3	1	3	1	3	-	-
1	1	1	1	-	-	-	-	1	3	1	3	1	3	1	1	1	1	-	-	-	-
1	2	1	2	-	-	-	-	2	5	2	5	1	5	1	3	1	3	1	3	-	-
1	2	-	-	1	2	-	-	1	5	1	5	1	5	1	3	1	3	1	3	-	-
2	16	1	18	-	-	-	-	7	37	7	37	1	37	1	23	1	23	1	23	-	-
2	16	-	-	1	18	-	-	2	37	2	37	1	33	1	23	1	23	1	23	-	-
1	2	-	-	-	-	-	-	2	6	2	6	1	6	-	-	-	-	-	-	-	-
1	5	1	5	-	-	-	-	3	11	3	11	1	11	1	7	1	7	1	7	-	-
1	4	-	-	1	5	-	-	1	11	1	11	1	10	1	7	1	7	1	7	-	-
1	2	1	2	-	-	-	-	2	6	2	6	1	6	1	3	1	3	-	-	-	-
1	2	1	2	-	-	-	-	2	5	2	5	1	5	1	3	1	3	1	3	-	-
1	2	-	-	1	2	-	-	1	5	1	5	1	5	1	3	1	3	1	3	-	-
1	2	-	-	-	-	-	-	1	4	1	4	1	3	1	3	1	3	1	3	-	-
1	2	1	2	-	-	-	-	2	5	2	5	1	5	1	3	1	3	1	3	-	-
1	2	-	-	1	2	-	-	1	5	1	5	1	5	1	3	1	3	1	3	-	-
1	2	1	2	-	-	-	-	2	5	2	5	1	5	1	3	1	3	1	3	-	-
1	2	-	-	1	2	-	-	1	5	1	5	1	5	1	3	1	3	1	3	-	-
1	2	-	-	-	-	-	-	1	4	1	4	1	3	1	3	1	3	1	3	-	-
1	1	1	1	-	-	-	-	1	3	1	3	1	3	1	1	1	1	1	-	-	-
1	1	-	-	1	1	-	-	1	3	1	3	1	2	1	2	1	2	1	2	-	-
1	1	-	-	-	-	-	-	1	3	1	3	1	2	1	1	1	1	1	1	-	-
1	1	-	-	-	-	-	-	1	3	1	3	1	2	1	1	1	1	1	1	-	-
-	-	-	-	-	-	-	-	-	-	-	-	-	-	1	1	1	1	1	1	-	-
-	-	-	-	-	-	-	-	-	-	-	-	-	-	1	1	1	1	1	1	1	1
-	-	-	-	-	-	-	-	-	-	-	-	-	-	-	-	-	-	-	-	1	1
-	-	-	-	-	-	-	-	-	-	-	-	-	-	-	-	-	-	-	-	1	1
1	1	1	1	-	-	-	-	1	3	1	3	1	3	1	2	1	2	1	2	-	-
1	1	-	-	1	1	-	-	1	3	1	3	1	2	1	2	1	2	1	2	-	-
1	2	1	3	-	-	-	-	2	6	2	6	1	6	1	3	1	3	1	3	-	-
1	2	-	-	1	3	-	-	1	6	1	6	1	5	1	3	1	3	1	3	-	-
1	2	1	3	-	-	-	-	2	6	2	6	1	6	1	3	1	3	1	3	-	-
1	2	-	-	1	3	-	-	1	6	1	6	1	5	1	3	1	3	1	3	-	-
1	2	1	2	-	-	-	-	2	5	2	5	1	5	1	3	1	3	1	3	-	-
1	2	-	-	1	2	-	-	1	5	1	5	1	5	1	3	1	3	1	3	-	-
1	1	1	1	-	-	-	-	1	3	1	3	1	3	1	2	1	2	1	2	-	-
1	1	-	-	1	1	-	-	1	3	1	3	1	3	1	2	1	2	1	2	-	-
1	1	-	-	-	-	-	-	1	3	1	3	1	2	1	1	1	1	1	1	-	-
1	1	-	-	1	1	-	-	1	3	1	3	1	2	1	1	1	1	1	1	-	-
1	1	-	-	-	-	-	-	1	1	1	1	2	1	1	1	1	1	1	1	-	-
1	1	-	-	-	-	-	-	1	1	1	1	2	1	1	1	1	1	1	1	-	-

Driver matrix - push dimmable

(number of products allowed per driver)

PUSH	12407730		12408030		12400330		12405430		12408230		12407830			
	1-10V/PUSH		1-10V/PUSH		MAINS/PUSH		1-10V/PUSH		1-10V/PUSH		DALI/1-10V/PUSH			
	Dimensions (LxWxH)		110,4x52x22		110,4x52x22		166x46x34		103x67x21		103x67x21		124x79x22	
	min. cutout hole		55		55		56		72		72		84	
	*Number of LED output channels		1		1		1		1		1		1	
Max drivers on MCB 16A type B		50		50		50		50		50		30		
FIXTURE	mA	min	max	min	max	min	max	min	max	min	max	min	max	
Chapeau 206 LED GE	350	1	1	1	1	1	1	1	1	1	1	1	3	
	500	1	1	1	1	1	1	1	1	1	1	1	3	
Dent large LED GE	350	-	-	-	-	-	-	1	1	1	1	1	2	
Dent medium LED GE	350	-	-	-	-	-	-	1	1	1	1	1	2	
Dent small LED GE	350	1	2	1	2	1	2	1	2	1	2	1	4	
Duell recessed 1x LED GE	350	1	2	1	2	1	2	1	2	1	2	2	5	
	500	1	2	1	2	1	2	1	2	1	2	1	5	
Duell recessed 2x LED GE	350	1/2	1	1/2	1	1/2	1	1/2	1	1/2	1	1	2	
	500	1/2	1	1/2	1	1/2	1	1/2	1	1/2	1	1/2	2	
Hipy 110 IP67 LED GE	350	1	2	1	2	1	2	1	2	1	2	2	5	
	500	1	2	1	2	1	2	1	2	1	2	1	5	
Hipy 70 IP67 LED GE	350	2	5	2	5	1	4	2	5	2	5	3	11	
	500	1	2	1	2	1	2	1	2	1	2	2	6	
Hollow 115 Trimless LED GE	350	1	2	1	2	1	2	1	2	1	2	2	6	
	500	1	2	1	2	1	2	1	2	1	2	1	6	
Hollow 125 LED GE	350	1	2	1	2	1	2	1	2	1	2	2	6	
	500	1	2	1	2	1	2	1	2	1	2	1	6	
Julien IP54 LED GE	350	2	3	2	3	1	3	1	4	1	4	2	8	
	500	1	1	1	1	1	1	1	1	1	1	1	3	
K120 Adjustable LED GE	500	1	1	1	1	1	1	1	1	1	1	1	3	
	700	-	-	-	-	1	1	1	1	1	1	1	2	
K72 IP54 LED GE	350	1	2	1	2	1	2	1	2	1	2	2	5	
	500	1	2	1	2	1	2	1	2	1	2	1	5	
K77 adjustable LED GE	350	1	2	1	2	1	2	1	2	1	2	2	5	
	500	1	2	1	2	1	2	1	2	1	2	1	5	
Kurk IP40 LED GE	350	1	2	1	2	1	2	1	2	1	2	1	5	
	500	1	1	1	1	1	2	1	2	1	2	1	5	
	700	1	1	1	1	1	2	1	2	1	2	1	4	
Kurk Surface IP40 GE	350	1	2	1	2	1	2	1	2	1	2	1	5	
	500	1	1	1	1	1	2	1	2	1	2	1	5	
	700	1	1	1	1	1	2	1	2	1	2	1	4	
Lotis 82 (concrete) LED GE	350	1	2	1	2	1	2	1	2	1	2	2	5	
	500	1	2	1	2	1	2	1	2	1	2	1	5	
Lotis 86 IP55 LED GE	350	1	2	1	2	1	2	1	2	1	2	2	5	
	500	1	2	1	2	1	2	1	2	1	2	1	5	
Lotis 97 (concrete) adjustable LED GE	350	1	2	1	2	1	2	1	2	1	2	2	5	
	500	1	2	1	2	1	2	1	2	1	2	1	5	
Lotis Square (IP55) LED GE	350	1	2	1	2	1	2	1	2	1	2	2	5	
	500	1	2	1	2	1	2	1	2	1	2	1	5	
Marbul recessed 1x LED GE	350	1	2	1	2	1	2	1	2	1	2	2	5	
	500	1	2	1	2	1	2	1	2	1	2	1	5	
Marbul recessed 2x LED GE	350	1/2	1	1/2	1	1/2	1	1/2	1	1/2	1	1	2	
Marbul recessed WarmDim 1x LED GE	350	1/2	1	1/2	1	1/2	1	1/2	1	1/2	1	1/2	2	
Marbul recessed WarmDim 2x LED GE	350													
Marbul suspension (adjustable) LED GE	350	1	2	1	2	1	2	1	2	1	2	2	5	
	500	1	2	1	2	1	2	1	2	1	2	1	5	
Marbul suspension (adjustable) WarmDim LED GE	350	1	1	1	1	-	-	-	-	1	1	1	3	
	500	1	1	1	1	1	1	1	1	1	1	1	3	
Marcel 1x LED GE	500	1	1	1	1	1	1	1	1	1	1	1	3	
	700	-	-	-	-	1	1	1	1	1	1	1	2	
Marcel 2x LED GE	350	1/2	1/2	1/2	1/2	1/2	1/2	1/2	1/2	1/2	1/2	1/2	1	
	500	1/2	1/2	1/2	1/2	1/2	1/2	1/2	1/2	1/2	1/2	1/2	1	
	700	-	-	-	-	1/2	1/2	1/2	1/2	1/2	1/2	1/2	1	
Marcel 3x LED GE	350	1/3	1/3	1/3	1/3	1/3	1/3	1/3	1/3	1/3	1/3	1/3	1	
	500	1/3	1/3	1/3	1/3	1/3	1/3	1/3	1/3	1/3	1/3	1/3	1	
	700	-	-	-	-	1/3	1/3	1/3	1/3	1/3	1/3	1/3	1/2	
Médard 42 recessed LED GE	350	2	5	2	5	1	4	2	5	2	5	3	11	
	500	1	4	1	4	1	4	1	5	1	5	1	11	
Médard 42 recessed WarmDim LED GE	350	1	2	1	2	-	-	-	-	1	2	2	6	
	500	1	2	1	2	1	2	1	2	1	2	2	6	
Médard 42 semi-recessed LED GE	350	1	2	1	2	1	2	1	2	1	2	1	6	
	500	1	2	1	2	1	2	1	2	1	2	1	6	
	700	1	1	1	1	1	2	1	2	1	2	1	4	
Médard 42 semi-recessed WarmDim LED GE	350	1	2	1	2	-	-	-	-	1	2	2	6	

12408330		12404530		12406530		12406630		12406730		12406830		12404730		12405730		12404030	
DALI/1-10V/PUSH		DALI/1-10V/PUSH		DALI/1-10V/PUSH		1-10V/PUSH		1-10V/PUSH		DALI/1-10V/PUSH		DALI/1-10V/PUSH		MAINS/PUSH		DALI/1-10V/PUSH	
124x79x22		124x79x22		124x79x22		124x79x22		124x79x22		124x79x22		161x83x35		163x83x35		129x79x30	
84		85		85		85		85		85		88		88		90	
1		1		1		1		1		1		1		1		1	
30		15		30		15		15		30		15		30		15	
min	max	min	max	min	max	min	max	min	max	min	max	min	max	min	max	min	max
1	3	1	3	1	2	1	2	1	2	1	2	1	2	-	-	-	-
1	3	1	2	1	2	1	2	1	2	1	2	1	2	-	-	-	-
1	2	1	2	1	1	1	1	1	1	1	1	1	1	-	-	-	-
1	2	1	2	1	1	1	1	1	1	1	1	1	1	-	-	-	-
1	4	1	4	1	3	1	3	1	3	1	3	1	3	-	-	-	-
2	5	1	5	1	3	1	3	1	3	1	3	1	3	-	-	-	-
1	5	1	5	1	3	1	3	1	3	1	3	1	3	-	-	-	-
1	2	1/2	2	1/2	1	1/2	1	1/2	1	1/2	1	1/2	1	-	-	-	-
1/2	2	1/2	2	1/2	1	1/2	1	1/2	1	1/2	1	1/2	1	-	-	-	-
2	5	1	5	1	3	1	3	1	3	1	3	1	3	-	-	-	-
1	5	1	5	1	3	1	3	1	3	1	3	1	3	-	-	-	-
3	11	1	11	1	7	1	7	1	7	1	7	1	7	-	-	-	-
2	6	1	6	1	4	1	4	1	4	1	4	1	4	-	-	-	-
1	6	1	5	1	3	1	3	1	3	1	3	1	3	-	-	-	-
2	6	1	6	1	4	1	4	1	4	1	4	1	4	-	-	-	-
1	6	1	5	1	3	1	3	1	3	1	3	1	3	-	-	-	-
2	8	1	8	1	5	1	5	1	5	1	5	1	5	-	-	-	-
1	3	1	3	1	2	1	2	1	2	1	2	1	2	-	-	-	-
1	3	1	2	1	1	1	1	1	1	1	1	1	1	-	-	-	-
1	2	1	1	1	1	1	1	1	1	1	1	1	1	-	-	-	-
2	5	1	5	1	3	1	3	1	3	1	3	1	3	-	-	-	-
1	5	1	5	1	3	1	3	1	3	1	3	1	3	-	-	-	-
2	5	1	5	1	3	1	3	1	3	1	3	1	3	-	-	-	-
1	5	1	5	1	3	1	3	1	3	1	3	1	3	-	-	-	-
1	5	1	5	1	3	1	3	1	3	1	3	1	3	-	-	-	-
1	5	1	5	1	3	1	3	1	3	1	3	1	3	-	-	-	-
1	4	1	3	1	3	1	3	1	3	1	3	1	3	-	-	-	-
1	5	1	5	1	3	1	3	1	3	1	3	1	3	-	-	-	-
1	5	1	4	1	3	1	3	1	3	1	3	1	3	-	-	-	-
1	4	1	3	1	3	1	3	1	3	1	3	1	3	-	-	-	-
1	5	1	5	1	3	1	3	1	3	1	3	1	3	-	-	-	-
1	5	1	4	1	3	1	3	1	3	1	3	1	3	-	-	-	-
1	4	1	3	1	3	1	3	1	3	1	3	1	3	-	-	-	-
2	5	1	5	1	3	1	3	1	3	1	3	1	3	-	-	-	-
1	5	1	5	1	3	1	3	1	3	1	3	1	3	-	-	-	-
2	5	1	5	1	3	1	3	1	3	1	3	1	3	-	-	-	-
1	5	1	5	1	3	1	3	1	3	1	3	1	3	-	-	-	-
2	5	1	5	1	3	1	3	1	3	1	3	1	3	-	-	-	-
1	5	1	5	1	3	1	3	1	3	1	3	1	3	-	-	-	-
1	5	1	5	1	3	1	3	1	3	1	3	1	3	-	-	-	-
1	2	1/2	2	1/2	1	1/2	1	1/2	1	1/2	1	1/2	1	-	-	-	-
1/2	2	1/2	2	1/2	1	1/2	1	1/2	1	1/2	1	1/2	1	-	-	-	-
2	5	1	5	1	3	1	3	1	3	1	3	1	3	-	-	-	-
1	5	1	5	1	3	1	3	1	3	1	3	1	3	-	-	-	-
1	3	1	3	1	1	1	1	1	1	1	1	1	1	-	-	-	-
1	3	1	3	1	2	1	2	1	2	1	2	1	2	-	-	-	-
1	3	1	2	1	1	1	1	1	1	1	1	1	1	-	-	-	-
1	2	1	1	1	1	1	1	1	1	1	1	1	1	-	-	-	-
1/2	1	1/2	1	1/2	1	1/2	1	1/2	1	1/2	1	1/2	1	-	-	-	-
1/2	1	1/2	1/2	1/2	1/2	1/2	1/2	1/2	1/2	1/2	1/2	1/2	1/2	-	-	-	-
1/3	1	1/3	1	1/3	1/2	1/3	1/2	1/3	1/2	1/3	1/2	1/3	1/2	-	-	-	-
1/3	1	1/3	1/2	1/3	1/3	1/3	1/3	1/3	1/3	1/3	1/3	1/3	1/3	-	-	-	-
1/3	1/2	1/3	1/3	1/3	1/3	1/3	1/3	1/3	1/3	1/3	1/3	1/3	1/3	-	-	-	-
3	11	1	11	1	7	1	7	1	7	1	7	1	7	-	-	-	-
1	11	1	10	1	7	1	7	1	7	1	7	1	7	-	-	-	-
2	6	1	6	1	3	1	3	1	3	1	3	1	3	-	-	-	-
2	6	1	6	1	3	1	3	1	3	1	3	1	3	-	-	-	-
1	6	1	5	1	3	1	3	1	3	1	3	1	3	-	-	-	-
1	4	1	3	1	3	1	3	1	3	1	3	1	3	-	-	-	-
2	6	1	6	1	3	1	3	1	3	1	3	1	3	-	-	-	-

Driver matrix - push dimmable

(number of products allowed per driver)

PUSH			12407730		12408030		12400330		12405430		12408230		12407830	
	Dimensions (LxWxH)		1-10V/PUSH		1-10V/PUSH		MAINS/PUSH		1-10V/PUSH		1-10V/PUSH		DALI/1-10V/PUSH	
	min. cutout hole		110,4x52x22		110,4x52x22		166x46x34		103x67x21		103x67x21		124x79x22	
	*Number of LED output channels		55		55		56		72		72		84	
	Max drivers on MCB 16A type B		1		1		1		1		1		1	
		50		50		50		50		50		30		
FIXTURE	mA	min	max	min	max	min	max	min	max	min	max	min	max	
Médard 70 recessed LED GE	350	1	2	1	2	1	2	1	2	1	2	1	2	
	500	1	2	1	2	1	2	1	2	1	2	1	2	
	700	1	1	1	1	1	1	2	1	2	1	2	1	
Médard 70 recessed WarmDim LED GE	350	1	1	1	1	-	-	-	-	1	1	1	1	
	350	1	1	1	1	1	1	1	1	1	1	1	1	
Médard 70 semi-recessed LED GE	350	1	1	1	1	1	1	1	1	1	1	1	1	
	500	1	1	1	1	1	1	1	1	1	1	1	1	
Médard 70 semi-recessed WarmDim LED GE	350	1	1	1	1	-	-	-	-	1	1	1	1	
	350	1	1	1	1	1	1	1	1	1	1	1	1	
Médard 70 stretched semi-recessed 1X LED GE	350	1	1	1	1	1	1	1	1	1	1	1	1	
	500	1	1	1	1	1	1	1	1	1	1	1	1	
Médard 70 stretched semi-recessed 2X LED GE	350	1/2	1/2	1/2	1/2	1/2	1/2	1/2	1/2	1/2	1/2	1/2	1/2	
	500	1/2	1/2	1/2	1/2	1/2	1/2	1/2	1/2	1/2	1/2	1/2	1/2	
Médard 70 stretched semi-recessed warm dim 1X LED GE	350	1	1	1	1	-	-	-	-	1	1	1	1	
Médard 70 stretched semi-recessed warm dim 2X LED GE	350	1/2	1/2	1/2	1/2	-	-	-	-	1/2	1/2	1/2	1/2	
	350	1	2	1	2	1	2	1	2	1	2	1	2	
Mini-multiple 1x LED GE	350	1/2	1	1/2	1	1/2	1	1/2	1	1/2	1	1/2	1	
	500	1/2	1	1/2	1	1/2	1	1/2	1	1/2	1	1/2	1	
Mini-multiple 2x LED GE	350	1/3	1/2	1/3	1/2	1/3	1/2	1/3	1/2	1/3	1/2	1/3	1/2	
	500	1/3	1/2	1/3	1/2	1/3	1/2	1/3	1/2	1/3	1/2	1/3	1/2	
Mini-multiple 3x LED GE	350	1/4	1/2	1/4	1/2	1/4	1/2	1/4	1/2	1/4	1/2	1/4	1/2	
	500	1/4	1/2	1/4	1/2	1/4	1/2	1/4	1/2	1/4	1/2	1/4	1/2	
Mini-multiple 4x LED GE	350	1	2	1	2	1	2	1	2	1	2	1	2	
	500	1	2	1	2	1	2	1	2	1	2	1	2	
Minude 45 ceiling recessed adjustable LED GE	350	1	2	1	2	1	2	1	2	1	2	1	2	
	500	1	2	1	2	1	2	1	2	1	2	1	2	
M-LED 050 GE	350	1	2	1	2	1	2	1	2	1	2	1	2	
	500	1	2	1	2	1	2	1	2	1	2	1	2	
M-LED 050 WarmDim GE	350	1	2	1	2	-	-	-	-	1	2	2	2	
	350	1	2	1	2	1	2	1	2	1	2	2	2	
M-LED 070 GE	350	1	2	1	2	1	2	1	2	1	2	1	2	
	500	1	2	1	2	1	2	1	2	1	2	1	2	
M-LED 070 WarmDim GE	350	1	2	1	2	-	-	-	-	1	2	2	2	
	350	1	1	1	1	1	1	1	1	1	1	1	1	
M-LED 111 GE	500	1	1	1	1	1	1	1	1	1	1	1	1	
	700	-	-	-	-	1	1	1	1	1	1	1	1	
	350	1/2	1/2	1/2	1/2	1/2	1/2	1/2	1/2	1/2	1/2	1/2	1/2	
Nomad 111 2x LED GE	500	1/2	1/2	1/2	1/2	1/2	1/2	1/2	1/2	1/2	1/2	1/2	1/2	
	700	-	-	-	-	1/2	1/2	1/2	1/2	1/2	1/2	1/2	1/2	
	350	1/4	1/4	1/4	1/4	1/4	1/4	1/4	1/4	1/4	1/4	1/4	1/4	
Nomad 111 4x LED GE	500	1/4	1/4	1/4	1/4	1/4	1/4	1/4	1/4	1/4	1/4	1/4	1/4	
	700	-	-	-	-	1/4	1/4	1/4	1/4	1/4	1/4	1/4	1/4	
	350	1	1	1	1	1	1	1	1	1	1	1	1	
Nomad 2xLED AR 111	1050	-	-	-	-	-	-	-	-	-	-	-	-	
Nomad 4xLED AR 111	350	2	5	2	5	1	4	2	5	2	5	3	11	
Pupil LED GE	500	1	4	1	4	1	4	1	5	1	5	1	11	
	700	1	2	1	2	1	4	1	4	1	4	1	8	
	350	1	2	1	2	-	-	-	-	1	2	2	6	
Pupil WarmDim LED GE	350	2	5	2	5	1	4	2	5	2	5	3	11	
	500	1	4	1	4	1	4	1	5	1	5	1	11	
Obini fix/adjustable/asy 1x LED GE	350	1	2	1	2	1/2	2	1	2	1	2	1	5	
	500	1/2	2	1/2	2	1/2	2	1/2	2	1/2	2	1/2	5	
Obini fix/adjustable/asy 2x LED GE	350	1/2	1	1/2	1	1/3	1	1/2	1	1/2	1	1	3	
	500	1/3	1	1/3	1	1/3	1	1/3	1	1/3	1	1/3	3	
Obini fix/adjustable/asy 3x LED GE	350	1/2	1	1/2	1	1/4	1	1/2	1	1/2	1	1/2	2	
	500	1/4	1	1/4	1	1/4	1	1/4	1	1/4	1	1/4	2	
Obini fix/adjustable/asy trimless 1x LED GE	350	2	5	2	5	1	4	2	5	2	5	3	11	
	500	1	4	1	4	1	4	1	5	1	5	1	11	
Obini fix/adjustable/asy trimless 2x LED GE	350	1	2	1	2	1/2	2	1	2	1	2	1	5	
	500	1/2	2	1/2	2	1/2	2	1/2	2	1/2	2	1/2	5	
Obini fix/adjustable/asy trimless 3x LED GE	350	1/2	1	1/2	1	1/3	1	1/2	1	1/2	1	1	3	
	500	1/3	1	1/3	1	1/3	1	1/3	1	1/3	1	1/3	3	
Obini fix/adjustable/asy trimless 4x LED GE	350	1/2	1	1/2	1	1/4	1	1/2	1	1/2	1	1/2	2	
	500	1/4	1	1/4	1	1/4	1	1/4	1	1/4	1	1/4	2	
Obini fix/adjustable/asy trimless WarmDim 1x LED GE	250	2	3	2	3	-	-	-	-	1	3	2	6	
	250	1	1	1	1	-	-	-	-	1/2	1	1	3	
Obini fix/adjustable/asy trimless WarmDim 3x LED GE	250	1/2	1	1/2	1	-	-	-	-	1/3	1	1/2	2	
	250	1/2	1/2	1/2	1/2	-	-	-	-	1/4	1/2	1/2	1	

12408330		12404530		12406530		12406630		12406730		12406830		12404730		12405730		12404030	
DALI/1-10V/PUSH		DALI/1-10V/PUSH		DALI/1-10V/PUSH		1-10V/PUSH		1-10V/PUSH		DALI/1-10V/PUSH		DALI/1-10V/PUSH		MAINS/PUSH		DALI/1-10V/PUSH	
124x79x22		124x79x22		124x79x22		124x79x22		124x79x22		124x79x22		161x83x35		163x83x35		129x79x30	
84		85		85		85		85		85		88		88		90	
1		1		1		1		1		1		1		1		1	
30		15		30		15		15		30		15		30		15	
min	max	min	max	min	max	min	max	min	max	min	max	min	max	min	max	min	max
2	5	1	5	1	3	1	3	1	3	1	3	1	3	-	-	-	-
1	5	1	5	1	3	1	3	1	3	1	3	1	3	-	-	-	-
1	4	1	3	1	3	1	3	1	3	1	3	1	3	-	-	-	-
1	3	1	3	1	1	1	1	1	1	1	1	1	1	-	-	-	-
1	3	1	3	1	2	1	2	1	2	1	2	1	2	-	-	-	-
1	3	1	2	1	2	1	2	1	2	1	2	1	2	-	-	-	-
1	3	1	3	1	1	1	1	1	1	1	1	1	1	-	-	-	-
1	3	1	3	1	2	1	2	1	2	1	2	1	2	-	-	-	-
1	3	1	2	1	2	1	2	1	2	1	2	1	2	-	-	-	-
1/2	1	1/2	1	1/2	1	1/2	1	1/2	1	1/2	1	1/2	1	1/2	1	-	-
1/2	1	1/2	1	1/2	1	1/2	1	1/2	1	1/2	1	1/2	1	1/2	1	-	-
1	3	1	3	1	1	1	1	1	1	1	1	1	1	-	-	-	-
1/2	1	1/2	1	1/2	1/2	1/2	1/2	1/2	1/2	1/2	1/2	1/2	1/2	-	-	-	-
2	5	1	5	1	3	1	3	1	3	1	3	1	3	-	-	-	-
1	5	1	5	1	3	1	3	1	3	1	3	1	3	-	-	-	-
1	2	1/2	2	1/2	1	1/2	1	1/2	1	1/2	1	1/2	1	-	-	-	-
1/2	2	1/2	2	1/2	1	1/2	1	1/2	1	1/2	1	1/2	1	1/2	1	-	-
1/2	1	1/3	1	1/3	1	1/3	1	1/3	1	1/3	1	1/3	1	1/3	1	-	-
1/3	1	1/3	1	1/3	1	1/3	1	1/3	1	1/3	1	1/3	1	1/3	1	-	-
1/2	1	1/4	1	1/4	1/2	1/4	1/2	1/4	1/2	1/4	1/2	1/4	1/2	1/4	1/2	-	-
1/4	1	1/4	1	1/4	1/2	1/4	1/2	1/4	1/2	1/4	1/2	1/4	1/2	1/4	1/2	-	-
2	6	1	6	1	3	1	3	1	3	1	3	1	3	-	-	-	-
1	6	1	5	1	3	1	3	1	3	1	3	1	3	-	-	-	-
2	5	1	5	1	3	1	3	1	3	1	3	1	3	-	-	-	-
1	5	1	5	1	3	1	3	1	3	1	3	1	3	-	-	-	-
2	6	1	6	1	3	1	3	1	3	1	3	1	3	-	-	-	-
2	5	1	5	1	3	1	3	1	3	1	3	1	3	-	-	-	-
1	5	1	5	1	3	1	3	1	3	1	3	1	3	-	-	-	-
2	6	1	6	1	3	1	3	1	3	1	3	1	3	-	-	-	-
1	3	1	3	1	2	1	2	1	2	1	2	1	2	-	-	-	-
1	3	1	2	1	2	1	2	1	2	1	2	1	2	-	-	-	-
1	2	1	1	1	1	1	1	1	1	1	1	1	1	-	-	-	-
1/2	1	1/2	1	1/2	1	1/2	1	1/2	1	1/2	1	1/2	1	1/2	1	-	-
1/2	1	1/2	1	1/2	1	1/2	1	1/2	1	1/2	1	1/2	1	1/2	1	-	-
1/2	1	1/2	1/2	1/2	1/2	1/2	1/2	1/2	1/2	1/2	1/2	1/2	1/2	1/2	1/2	-	-
1/4	1/2	1/4	1/2	1/4	1/2	1/4	1/2	1/4	1/2	1/4	1/2	1/4	1/2	1/4	1/2	-	-
1/4	1/2	1/4	1/2	1/4	1/2	1/4	1/2	1/4	1/2	1/4	1/2	1/4	1/2	1/4	1/2	-	-
1/4	1/2	1/4	1/4	1/4	1/4	1/4	1/4	1/4	1/4	1/4	1/4	1/4	1/4	1/4	1/4	-	-
1	3	1	2	1	1	1	1	1	1	1	1	1	1	1	1	-	-
-	-	-	-	1	1	1	1	1	1	1	1	1	1	1	1	1	1
3	11	1	11	1	7	1	7	1	7	1	7	1	7	-	-	-	-
1	11	1	10	1	7	1	7	1	7	1	7	1	7	-	-	-	-
1	8	1	6	1	7	1	7	1	7	1	7	1	7	1	6	-	-
2	6	1	6	1	3	1	3	1	3	1	3	1	3	-	-	-	-
3	11	1	11	1	7	1	7	1	7	1	7	1	7	-	-	-	-
1	11	1	10	1	7	1	7	1	7	1	7	1	7	-	-	-	-
1	5	1/2	5	1/2	3	1/2	3	1/2	3	1/2	3	1/2	3	-	-	-	-
1/2	5	1/2	5	1/2	3	1/2	3	1/2	3	1/2	3	1/2	3	-	-	-	-
1	3	1/3	3	1/3	2	1/3	2	1/3	2	1/3	2	1/3	2	-	-	-	-
1/3	3	1/3	3	1/3	2	1/3	2	1/3	2	1/3	2	1/3	2	-	-	-	-
1/2	2	1/4	2	1/4	1	1/4	1	1/4	1	1/4	1	1/4	1	-	-	-	-
1/4	2	1/4	2	1/4	1	1/4	1	1/4	1	1/4	1	1/4	1	-	-	-	-
3	11	1	11	1	7	1	7	1	7	1	7	1	7	-	-	-	-
1	11	1	10	1	7	1	7	1	7	1	7	1	7	-	-	-	-
1	5	1/2	5	1/2	3	1/2	3	1/2	3	1/2	3	1/2	3	-	-	-	-
1/2	5	1/2	5	1/2	3	1/2	3	1/2	3	1/2	3	1/2	3	-	-	-	-
1	3	1/3	3	1/3	2	1/3	2	1/3	2	1/3	2	1/3	2	-	-	-	-
1/3	3	1/3	3	1/3	2	1/3	2	1/3	2	1/3	2	1/3	2	-	-	-	-
1/2	2	1/4	2	1/4	1	1/4	1	1/4	1	1/4	1	1/4	1	-	-	-	-
1/4	2	1/4	2	1/4	1	1/4	1	1/4	1	1/4	1	1/4	1	-	-	-	-
2	6	1	6	-	-	-	-	-	-	-	-	-	-	-	-	-	-
1	3	1/2	3	-	-	-	-	-	-	-	-	-	-	-	-	-	-
1/2	2	1/3	2	-	-	-	-	-	-	-	-	-	-	-	-	-	-
1/2	1	1/4	1	-	-	-	-	-	-	-	-	-	-	-	-	-	-

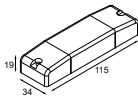

Driver matrix - push dimmable

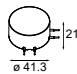

(number of products allowed per driver)

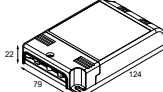






PUSH	12407730		12408030		12400330		12405430		12408230		12407830			
	1-10V/PUSH		1-10V/PUSH		MAINS/PUSH		1-10V/PUSH		1-10V/PUSH		DALI/1-10V/PUSH			
	Dimensions (LxWxH)		110,4x52x22		110,4x52x22		166x46x34		103x67x21		103x67x21		124x79x22	
	min. cutout hole		55		55		56		72		72		84	
	*Number of LED output channels		1		1		1		1		1		1	
Max drivers on MCB 16A type B		50		50		50		50		50		30		
FIXTURE	mA	min	max	min	max	min	max	min	max	min	max	min	max	
Qbini fix/adjustable/asy WarmDim 1x LED GE	250	2	3	2	3	-	-	-	-	1	3	2	6	
Qbini fix/adjustable/asy WarmDim 2x LED GE	250	1	1	1	1	-	-	-	-	1/2	1	1	3	
Qbini fix/adjustable/asy WarmDim 3x LED GE	250	1/2	1	1/2	1	-	-	-	-	1/3	1	1/2	2	
Qbini fix/adjustable/asy WarmDim 4x LED GE	250	1/2	1/2	1/2	1/2	-	-	-	-	1/4	1/2	1/2	1	
Qbini general 2X LED GE	350	2	4	2	4	1	3	1	4	1	4	2	9	
	500	1	3	1	3	1	3	1	4	1	4	1	9	
Qbini general 4X LED GE	350	1	2	1	2	1/2	1	1/2	2	1/2	2	1	4	
	500	1/2	1	1/2	1	1/2	1	1/2	2	1/2	2	1/2	4	
Rektor Recessed LED GE	350	1	1	1	1	1	1	1	1	1	1	1	3	
	500	1	1	1	1	1	1	1	1	1	1	1	3	
Rektor Recessed WarmDim LED GE	350	1	1	1	1	-	-	-	-	1	1	1	3	
Scotty 270 adjustable LED GE	350	1	1	1	1	1	1	1	1	1	1	1	3	
Scotty 270 LED GE	350	1	1	1	1	1	1	1	1	1	1	1	3	
500	1	1	1	1	1	1	1	1	1	1	1	1	3	
	350	1	2	1	2	1	2	1	2	1	2	2	6	
Shelby 176 trimless LED GE	500	1	2	1	2	1	2	1	2	1	2	1	6	
Shelby 176 trimless WarmDim LED GE	350	1	1	1	1	-	-	-	-	1	1	1	3	
Shelby 184 LED GE	350	1	2	1	2	1	2	1	2	1	2	2	6	
	500	1	2	1	2	1	2	1	2	1	2	1	6	
Shelby 184 WarmDim LED GE	350	1	1	1	1	-	-	-	-	1	1	1	3	
Slide IP54 LED GE	350	1	2	1	2	1	2	1	2	1	2	2	5	
	500	1	2	1	2	1	2	1	2	1	2	1	5	
Smart Cake / Kup / Lotis / (asy) 48 (IP54) LED GE	350	5	16	5	16	1	15	4	17	4	17	7	37	
	500	2	13	2	13	1	15	1	16	1	16	2	37	
Smart Cake / Kup / Lotis / (asy) 48 WarmDim (IP55) LED GE	250	2	3	2	3	-	-	-	-	1	3	2	6	
Smart Cake / Kup / Lotis / + (asy) 48 (IP54) LED GE	350	2	5	2	5	1	4	2	5	2	5	3	11	
	500	1	4	1	4	1	4	1	5	1	5	1	11	
Smart Cake / Kup / Lotis 82 (adjustable) WarmDim LED GE (IP54)	350	1	2	1	2	-	-	-	-	1	2	2	6	
	500	1	2	1	2	1	2	1	2	1	2	2	5	
Smart Cake / Kup / Lotis 82 (IP54) LED GE	500	1	2	1	2	1	2	1	2	1	2	1	5	
	700	1	1	1	1	1	2	1	2	1	2	1	4	
Smart Cake / Kup / Lotis 82 adjustable LED GE	350	1	2	1	2	1	2	1	2	1	2	2	5	
	500	1	2	1	2	1	2	1	2	1	2	1	5	
Smart Cake / Kup / Lotis 115 adjustable LED GE	350	1	2	1	2	1	2	1	2	1	2	2	5	
	500	1	2	1	2	1	2	1	2	1	2	1	5	
	700	1	1	1	1	1	2	1	2	1	2	1	4	
Smart Cake / Kup / Lotis 115 adjustable WarmDim LED GE	350	1	1	1	1	-	-	-	-	1	1	1	3	
	500	1	1	1	1	1	1	1	1	1	1	1	3	
Smart Cake / Kup / Lotis 115 (diffuse) (IP54) LED GE	500	1	1	1	1	1	1	1	1	1	1	1	3	
	700	-	-	-	-	1	1	1	1	1	1	1	2	
	900	-	-	-	-	-	-	-	-	-	-	-	-	
Smart Cake / Kup / Lotis 160 (diffuse) (IP54) LED GE	1050	-	-	-	-	-	-	-	-	-	-	-	-	
	1200	-	-	-	-	-	-	-	-	-	-	-	-	
	1400	-	-	-	-	-	-	-	-	-	-	-	-	
	350	1	1	1	1	1	1	1	1	1	1	1	3	
	500	1	1	1	1	1	1	1	1	1	1	1	3	
Stove LED GE	350	1	2	1	2	1	2	1	2	1	2	2	6	
	500	1	2	1	2	1	2	1	2	1	2	1	6	
Thimble 70 trimless (adjustable) LED GE	350	1	2	1	2	1	2	1	2	1	2	2	6	
	500	1	2	1	2	1	2	1	2	1	2	1	6	
Thimble 74 (adjustable) LED GE	350	1	2	1	2	1	2	1	2	1	2	2	6	
	500	1	2	1	2	1	2	1	2	1	2	1	6	
Wink 82 LED GE	350	1	2	1	2	1	2	1	2	1	2	2	5	
	500	1	2	1	2	1	2	1	2	1	2	1	5	
Wink 115 LED GE	350	1	1	1	1	1	1	1	1	1	1	1	3	
	500	1	1	1	1	1	1	1	1	1	1	1	3	
	700	-	-	-	-	1	1	1	1	1	1	1	2	

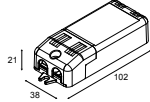



12408330		12404530		12406530		12406630		12406730		12406830		12404730		12405730		12404030	
DALI/1-10V/PUSH		DALI/1-10V/PUSH		DALI/1-10V/PUSH		1-10V/PUSH		1-10V/PUSH		DALI/1-10V/PUSH		DALI/1-10V/PUSH		MAINS/PUSH		DALI/1-10V/PUSH	
124x79x22		124x79x22		124x79x22		124x79x22		124x79x22		124x79x22		161x83x35		163x83x35		129x79x30	
84		85		85		85		85		85		88		88		90	
1		1		1		1		1		1		1		1		1	
30		15		30		15		15		30		15		30		15	
min	max	min	max	min	max	min	max	min	max	min	max	min	max	min	max	min	max
2	6	1	6	-	-	-	-	-	-	-	-	-	-	-	-	-	-
1	3	1/2	3	-	-	-	-	-	-	-	-	-	-	-	-	-	-
1/2	2	1/3	2	-	-	-	-	-	-	-	-	-	-	-	-	-	-
1/2	1	1/4	1	-	-	-	-	-	-	-	-	-	-	-	-	-	-
2	9	1	9	1	5	1	5	1	5	1	5	1	5	-	-	-	-
1	9	1	8	1	5	1	5	1	5	1	5	1	5	-	-	-	-
1	4	1/2	4	1/2	2	1/2	2	1/2	2	1/2	2	1/2	2	-	-	-	-
1/2	4	1/2	4	1/2	2	1/2	2	1/2	2	1/2	2	1/2	2	-	-	-	-
1	3	1	3	1	2	1	2	1	2	1	2	1	2	-	-	-	-
1	3	1	2	1	2	1	2	1	2	1	2	1	2	-	-	-	-
1	3	1	3	1	1	1	1	1	1	1	1	1	1	-	-	-	-
1	3	1	3	1	2	1	2	1	2	1	2	1	2	-	-	-	-
1	3	1	3	1	2	1	2	1	2	1	2	1	2	-	-	-	-
1	3	1	2	1	1	1	1	1	1	1	1	1	1	-	-	-	-
2	6	1	6	1	4	1	4	1	4	1	4	1	3	-	-	-	-
1	6	1	5	1	3	1	3	1	3	1	3	1	3	-	-	-	-
1	3	1	3	1	1	1	1	1	1	1	1	1	1	-	-	-	-
2	6	1	6	1	4	1	4	1	4	1	4	1	3	-	-	-	-
1	6	1	5	1	3	1	3	1	3	1	3	1	3	-	-	-	-
1	3	1	3	1	1	1	1	1	1	1	1	1	1	-	-	-	-
2	5	1	5	1	3	1	3	1	3	1	3	1	3	-	-	-	-
1	5	1	5	1	3	1	3	1	3	1	3	1	3	-	-	-	-
7	37	1	37	1	23	1	23	1	23	1	23	1	23	-	-	-	-
2	37	1	33	1	23	1	23	1	23	1	23	1	23	-	-	-	-
2	6	1	6	-	-	-	-	-	-	-	-	-	-	-	-	-	-
3	11	1	11	1	7	1	7	1	7	1	7	1	7	-	-	-	-
1	11	1	10	1	7	1	7	1	7	1	7	1	7	-	-	-	-
2	6	1	6	1	3	1	3	1	3	1	3	1	3	-	-	-	-
2	5	1	5	1	3	1	3	1	3	1	3	1	3	-	-	-	-
1	5	1	5	1	3	1	3	1	3	1	3	1	3	-	-	-	-
1	4	1	3	1	3	1	3	1	3	1	3	1	3	-	-	-	-
2	5	1	5	1	3	1	3	1	3	1	3	1	3	-	-	-	-
1	5	1	5	1	3	1	3	1	3	1	3	1	3	-	-	-	-
2	5	1	5	1	3	1	3	1	3	1	3	1	3	-	-	-	-
1	5	1	5	1	3	1	3	1	3	1	3	1	3	-	-	-	-
1	4	1	3	1	3	1	3	1	3	1	3	1	3	-	-	-	-
1	3	1	3	1	1	1	1	1	1	1	1	1	1	-	-	-	-
1	3	1	3	1	2	1	2	1	2	1	2	1	2	-	-	-	-
1	3	1	2	1	2	1	2	1	2	1	2	1	2	-	-	-	-
1	2	1	1	1	1	1	1	1	1	1	1	1	1	-	-	-	-
1	3	1	2	1	1	1	1	1	1	1	1	1	1	-	-	-	-
1	2	1	1	1	1	1	1	1	1	1	1	1	1	-	-	-	-
-	-	-	-	1	1	1	1	1	1	1	1	1	1	-	-	-	-
-	-	-	-	1	1	1	1	1	1	1	1	1	1	1	1	1	1
-	-	-	-	-	-	-	-	-	-	-	-	-	-	1	1	1	1
-	-	-	-	-	-	-	-	-	-	-	-	-	-	-	-	1	1
1	3	1	3	1	2	1	2	1	2	1	2	1	2	-	-	-	-
1	3	1	2	1	2	1	2	1	2	1	2	1	2	-	-	-	-
2	6	1	6	1	3	1	3	1	3	1	3	1	3	-	-	-	-
1	6	1	5	1	3	1	3	1	3	1	3	1	3	-	-	-	-
2	6	1	6	1	3	1	3	1	3	1	3	1	3	-	-	-	-
1	6	1	5	1	3	1	3	1	3	1	3	1	3	-	-	-	-
2	5	1	5	1	3	1	3	1	3	1	3	1	3	-	-	-	-
1	5	1	5	1	3	1	3	1	3	1	3	1	3	-	-	-	-
1	3	1	3	1	2	1	2	1	2	1	2	1	2	-	-	-	-
1	3	1	3	1	2	1	2	1	2	1	2	1	2	-	-	-	-
1	3	1	2	1	2	1	2	1	2	1	2	1	2	-	-	-	-
1	2	1	1	1	1	1	1	1	1	1	1	1	1	-	-	-	-

Driver specs. - constant current

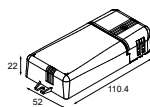
			
Reference	12403730	12400730	
Dimensions (LxWxH)	115x34x19	115x34x19	
Input	220-240V 50/60Hz	220-240V 50/60Hz	
Ambient temperature	-25°C to +45°C	-25°C to +50°C	
Power factor (max)	0.54	0.54	
Dimming	-	-	
Max drivers on MCB 16A type B*	27	27	
Output	350mA / 15W 1-43V DC	500mA / 12W 1-24V DC	

		
Reference	12408830	
Dimensions (LxWxH)	ø42x20	
Input	220-240V 50/60Hz	
Ambient temperature	-20°C to +60°C	
Power factor (max)	>0.92	
Dimming	-	
Max drivers on MCB 16A type B*	75	
Output	350mA / 14W 21-40V DC	

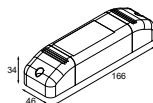
						
Reference	12403430					
Dimensions (LxWxH)	124x79x22					
Input	220-240V 50/60Hz					
Ambient temperature	-25°C to +45°C					
Power factor (max)	0.95					
Dimming	-					
Max drivers on MCB 16A type B*	15					
Output	350mA / 25W 1-74V DC	500mA / 35W 1-72V DC	700mA / 50W 1-71V DC	900mA / 50W 1-55V DC	1050mA / 50W 1-48V DC	
DIP-switch setting (check on driver)						

				  
Reference	12407230	12404830	12404930	
Dimensions (LxWxH)	102x38x21	102x38x21	102x38x21	
Input	220-240V 50/60Hz	220-240V 50/60Hz	220-240V 50/60Hz	
Ambient temperature	-25°C to +45°C	-25°C to +45°C	-25°C to +45°C	
Power factor (max)	0.96	0.96	0.96	
Dimming	TRAILING EDGE/LEADING EDGE (AM)	TRAILING EDGE/LEADING EDGE (AM)	TRAILING EDGE/LEADING EDGE (AM)	
Max drivers on MCB 16A type B*	50	50	50	
Output	250mA / 3-7W 14-28V DC	350mA / 4-10W 12-28V DC	500mA / 5-10W 10-20V DC	

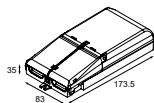
* FOR OTHER TYPES OF MCB, SEE TABLE PAGE 561



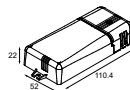
Reference	12404230	12404330	12408530
Dimensions (LxWxH)	111x52x22	111x52x22	111x52x22
Input	220-240V 50/60Hz	220-240V 50/60Hz	220-240V 50/60Hz
Ambient temperature	-25°C to +50°C	-25°C to +45°C	-25°C to +45°C
Power factor (max)	0.95	0.95	0.95
Dimming	TRAILING EDGE/LEADING EDGE (AM)	TRAILING EDGE/LEADING EDGE (AM)	TRAILING EDGE/LEADING EDGE (AM)
Max drivers on MCB 16A type B*	50	50	50
Output	350mA / 8-18W 25-51V DC	500mA / 8-20W 16-40V DC	700mA / 8-20W 16-28V DC



Reference	12400330		
Dimensions (LxWxH)	166x46x34		
Input	220-240V 50/60Hz		
Ambient temperature	-25°C to +45°C		
Power factor (max)	0.97		
Dimming	TRAILING EDGE/LEADING EDGE/PUSH DIM (PWM)		
Max drivers on MCB 16A type B*	50		
Output	350mA / 17W 1-47V DC	500mA / 24W 1-47V DC	700mA / 32W 1-46V DC
DIP-switch setting (check on driver)			

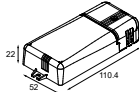



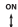





















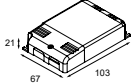



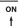



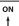



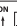











Reference	12405730		
Dimensions (LxWxH)	163x83x35		
Input	220-240V 50/60Hz		
Ambient temperature	-25°C to +50°C		
Power factor (max)	0.88		
Dimming	MAINS/PUSH (PWM)		
Max drivers on MCB 16A type B*	30		
Output	1050mA / 1-455W 2-43V DC	1200mA / 1-50W 2-42V DC	1400mA / 1-50W 2-36V DC
DIP-switch setting (check on driver)			

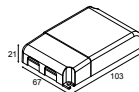


























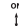








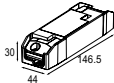






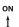















Reference	12407730				
Dimensions (LxWxH)	111x52x22				
Input	220-240V 50/60Hz				
Ambient temperature	-25°C to +50°C				
Power factor (max)	0.95				
Dimming	0/1-10V/PUSH (AM+PWM)				
Max drivers on MCB 16A type B*	50				
Output	250mA / 13W 20-53V DC	350mA / 18W 15-50V DC	500mA / 20W 5-40V DC	700mA / 20W 3-29V DC	900mA / 20W 3-23V DC
DIP-switch setting (check on driver)					

Driver specs. - constant current

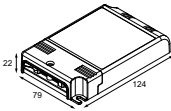


































	   				
Reference	12408030				
Dimensions (LxWxH)	111x52x22				
Input	220-240V 50/60Hz				
Ambient temperature	-25°C to +50°C				
Power factor (max)	0.95				
Dimming	0/1-10V/PUSH (AM)				
Max drivers on MCB 16A type B*	50				
Output	250mA / 13W 20-53V DC	350mA / 18W 15-50V DC	500mA / 20W 5-40V DC	700mA / 20W 3-29V DC	900mA / 20W 3-23V DC
DIP-switch setting (check on driver)	   	   	   	   	   

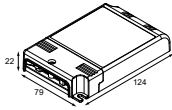


































	   				
Reference	12408230				
Dimensions (LxWxH)	103x67x21				
Input	220-240V 50/60Hz				
Ambient temperature	-25°C to +45°C				
Power factor (max)	0.95				
Dimming	0/1-10V/PUSH (push dim: optional sync cable 12400100) (AM)				
Max drivers on MCB 16A type B*	15				
Output	250mA / 13W 15-53V DC	350mA / 18W 10-53V DC	500mA / 25W 2-50V DC	700mA / 32W 2-46V DC	900mA / 20W 2-22V DC
DIP-switch setting (check on driver)	   	   	   	   	   

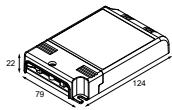



































	   				
Reference	12405430				
Dimensions (LxWxH)	103x67x21				
Input	220-240V 50/60Hz				
Ambient temperature	-25°C to +45°C				
Power factor (max)	0.95				
Dimming	1-10V/PUSH (PWM)				
Max drivers on MCB 16A type B*	50				
Output	250mA / 13W 15-53V DC	350mA / 18W 10-53V DC	500mA / 25W 2-50V DC	700mA / 32W 2-46V DC	900mA / 20W 2-22V DC
DIP-switch setting (check on driver)	     	     	     	     	     

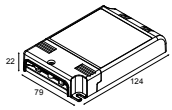




























	  				
Reference	12407130				
Dimensions (LxWxH)	146.5x44x30				
Input	220-240V 50/60Hz				
Ambient temperature	-25°C to +40°C				
Power factor (max)	0.95				
Dimming	1-10V (AM)				
Max drivers on MCB 16A type B*	50				
Output	350mA / 1-18W 10-54V DC	500mA / 1-27W 10-54V DC	700mA / 1-36W 10-51V DC	900mA / 1-36W 10-40V DC	1050mA / 1-36W 10-35V DC
DIP-switch setting (check on driver)	   	   	   	   	   

* FOR OTHER TYPES OF MCB, SEE TABLE PAGE 561

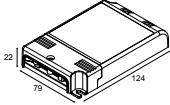









	    				
Reference	12406630				
Dimensions (LxWxH)	124x79x22				
Input	220-240V 50/60Hz				
Ambient temperature	-25°C to +50°C				
Power factor (max)	0.95				
Dimming	1-10V/PUSH (AM)				
Max drivers on MCB 16A type B*	15				
Output	350mA / 25W 2-74V DC	500mA / 35W 2-72V DC	700mA / 50W 2-72V DC	900mA / 60W 2-66V DC	1050mA / 60W 2-57V DC
DIP-switch setting (check on driver)	     	     	     	     	     

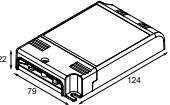









	    				
Reference	12406730				
Dimensions (LxWxH)	124x79x22				
Input	220-240V 50/60Hz				
Ambient temperature	-25°C to +50°C				
Power factor (max)	0.95				
Dimming	1-10V/PUSH (AM+PWM)				
Max drivers on MCB 16A type B*	15				
Output	350mA / 25W 2-74V DC	500mA / 35W 2-72V DC	700mA / 50W 2-72V DC	900mA / 60W 2-66V DC	1050mA / 60W 2-57V DC
DIP-switch setting (check on driver)	     	     	     	     	     

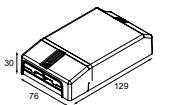









	     				
Reference	12406830				
Dimensions (LxWxH)	124x79x22				
Input	220-240V 50/60Hz				
Ambient temperature	-25°C to +50°C				
Power factor (max)	0.95				
Dimming	1-10V/DALI/PUSH (AM+PWM)				
Max drivers on MCB 16A type B*	30				
Output	350mA / 25W 2-74V DC	500mA / 35W 2-72V DC	700mA / 50W 2-72V DC	900mA / 60W 2-66V DC	1050mA / 60W 2-57V DC
DIP-switch setting (check on driver)	     	     	     	     	     

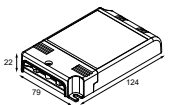









	     				
Reference	12407830				
Dimensions (LxWxH)	124x79x22				
Input	220-240V 50/60Hz				
Ambient temperature	-25°C to +50°C				
Power factor (max)	0.95				
Dimming	0/1-10V/PUSH/DALI (AM+PWM)				
Max drivers on MCB 16A type B*	30				
Output	250mA / 28W 20-112V DC	350mA / 39W 20-112V DC	500mA / 56W 2-112V DC	700mA / 60W 2-86V DC	
DIP-switch setting (check on driver)	     	     	     	    	

Driver specs. - constant current

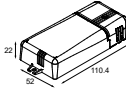






	     			
Reference	12404530			
Dimensions (LxWxH)	124x79x22			
Input	220-240V 50/60Hz			
Ambient temperature	-25°C to +50°C			
Power factor (max)	0.95			
Dimming	DALI/1-10V/PUSH DIM (push dim: optional sync cable 12400100) (PWM)			
Max drivers on MCB 16A type B*	15			
Output	250mA / 30W 1-112V DC	350mA / 40W 1-112V DC	500mA / 50W 1-100V DC	700mA / 50W 1-70V DC
DIP-switch setting (check on driver)				

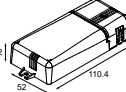






	    				
Reference	12406530				
Dimensions (LxWxH)	124x79x22				
Input	220-240V 50/60Hz				
Ambient temperature	-25°C to +50°C				
Power factor (max)	0.95				
Dimming	DALI/1-10V/PUSH (AM)				
Max drivers on MCB 16A type B*	30				
Output	350mA / 25W 2-74V DC	500mA / 35W 2-72V DC	700mA / 50W 2-72V DC	900mA / 60W 2-66V DC	1050mA / 60W 2-57V DC
DIP-switch setting (check on driver)					

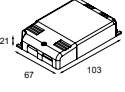






	     			
Reference	12404030			
Dimensions (LxWxH)	129x76x30			
Input	220-240V 50/60Hz			
Ambient temperature	-25°C to +50°C			
Power factor (max)	0.95			
Dimming	DALI/1-10V/PUSH DIM (push dim: optional sync cable 12400100) (PWM)			
Max drivers on MCB 16A type B*	15			
Output	1050mA / 45W 1-44V DC	1200mA / 52W 1-44V DC	1400mA / 55W 1-39V DC	1600mA / 55W 1-35V DC
DIP-switch setting (check on driver)				

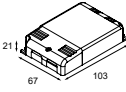






	     			
Reference	12408330			
Dimensions (LxWxH)	124x79x22			
Input	220-240V 50/60Hz			
Ambient temperature	-25°C to +50°C			
Power factor (max)	0.95			
Dimming	0/1-10V/DALI2/PUSH (push dim: optional sync cable 12400100) (AM)			
Max drivers on MCB 16A type B*	15			
Output	250mA / 28W 20-112V DC	350mA / 39W 20-112V DC	500mA / 56W 2-112V DC	700mA / 60W 2-86V DC
DIP-switch setting (check on driver)				

* FOR OTHER TYPES OF MCB, SEE TABLE PAGE 561

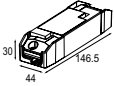







	  			
Reference	12407630			
Dimensions (LxWxH)	111x52x22			
Input	220-240V 50/60Hz			
Ambient temperature	-25°C to +45°C			
Power factor (max)	0.92			
Dimming	DALI (AM+PWM)			
Max drivers on MCB 16A type B*	50			
Output	250mA / 20W 15-49V DC	350mA / 17W 2-49V DC	500mA / 20W 2-40V DC	700mA / 20W 2-28V DC
DIP-switch setting (check on driver)				

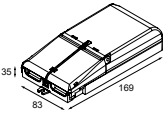









	  			
Reference	12407930			
Dimensions (LxWxH)	111x52x22			
Input	220-240V 50/60Hz			
Ambient temperature	-25°C to +45°C			
Power factor (max)	0.92			
Dimming	DALI2 (AM)			
Max drivers on MCB 16A type B*	50			
Output	250mA / 20W 15-49V DC	350mA / 17W 2-49V DC	500mA / 20W 2-40V DC	700mA / 20W 2-28V DC
DIP-switch setting (check on driver)				

	  			
Reference	12403230			
Dimensions (LxWxH)	103x67x21			
Input	220-240V 50/60Hz			
Ambient temperature	-25°C to +50°C			
Power factor (max)	0.98			
Dimming	DALI (PWM)			
Max drivers on MCB 16A type B*	50			
Output	250mA / 12W 10-48V DC	350mA / 17W 5-48V DC	500mA / 24W 5-48V DC	700mA / 32W 3-46V DC
DIP-switch setting (check on driver)				

	  			
Reference	12408130			
Dimensions (LxWxH)	103x67x21			
Input	220-240V 50/60Hz			
Ambient temperature	-25°C to +50°C			
Power factor (max)	0.95			
Dimming	DALI2 (AM)			
Max drivers on MCB 16A type B*	50			
Output	250mA / 12W 10-48V DC	350mA / 17W 5-48V DC	500mA / 24W 5-48V DC	700mA / 32W 3-46V DC
DIP-switch setting (check on driver)				

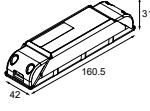


Driver specs. - constant current

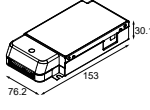


	  				
Reference	12405630				
Dimensions (LxWxH)	146.5x44x30				
Input	220-240V 50/60Hz				
Ambient temperature	-25°C to +45°C				
Power factor (max)	0.9				
Dimming	DALI2 (AM)				
Max drivers on MCB 16A type B*	50				
Output	350mA / 1-18.5W 10-54V DC	500mA / 1-27W 10-54V DC	700mA / 1-38W 10-54V DC	900mA / 1-38W 10-43V DC	1050mA / 1-38W 10-36V DC
DIP-switch setting (check on driver)					

	    				
Reference	12404730				
Dimensions (LxWxH)	169x83x35				
Input	220-240V 50/60Hz				
Ambient temperature	-25°C to +45°C				
Power factor (max)	0.98				
Dimming	DALI/1-10V/PUSH (PWM) (push dim: optional sync cable 12400100)				
Max drivers on MCB 16A type B*	30				
Output	350mA / 25W 1-71V DC	500mA / 35W 1-70V DC	700mA / 50W 1-70V DC	900mA / 50W 1-55V DC	1050mA / 50W 1-48V DC
DIP-switch setting (check on driver)					

* FOR OTHER TYPES OF MCB, SEE TABLE PAGE 561

Driver specs. - constant current | deep dim

	  					
	20W					
Reference	11630030	11630130	11630230	11630330	11630430	11630530
Dimensions (LxWxH)	160.5x42x31					
Input	198-264V 50/60Hz					
Ambient temperature	-20°C to +50°C					
Power factor (max)	>0.95					
Dim	DALI2 (AM+PWM)	DALI2 (AM+PWM)	DALI2 (AM+PWM)	O/1-10V (AM+PWM)	O/1-10V (AM+PWM)	O/1-10V (AM+PWM)
Max drivers on MCB 16A type B*	106	106	106	106	106	106
Output voltage / Power range	350mA/20W 2-40V DC	500mA/20W 2-40V DC	700mA/20W 2-40V DC	350mA/20W 2-40V DC	500mA/20W 2-40V DC	700mA/20W 2-40V DC

	  					
	50W					
Reference	11630630	11630730	11630830	11630930	11631030	11631130
Dimensions (LxWxH)	153x76.2x30.1					
Input	120-255V 50/60Hz					
Ambient temperature	-20°C to +50°C					
Power factor (max)	>0.9					
Dim	DALI2 (AM+PWM)	DALI2 (AM+PWM)	DALI2 (AM+PWM)	O/1-10V (AM+PWM)	O/1-10V (AM+PWM)	O/1-10V (AM+PWM)
Max drivers on MCB 16A type B*	22	22	22	22	22	22
Output voltage / Power range	350mA/50W 1.5-55V DC	500mA/50W 1.5-55V DC	700mA/50W 1.5-55V DC	350mA/50W 1.5-55V DC	500mA/50W 1.5-55V DC	700mA/50W 1.5-55V DC

01 — CEILING

02 — TRACK

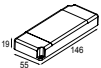

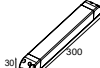
03 — WALL

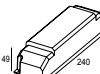
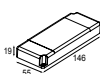
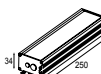
04 — EXTERIOR

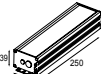
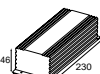
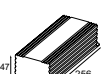
05 — PROFILES


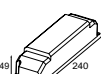
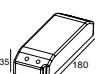
06 — GOODIES

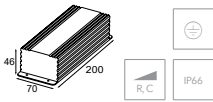
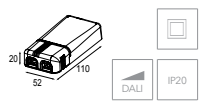
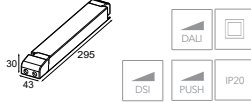

Driver specs. - constant voltage 24V


	 10 55 146 IP20	 30 43 241 IP66	 30 40 300 IP20
Reference	12405830	12401830	12405930
Dimensions (LxWxH)	146x55x19	241x43x30	300x40x30
Input	220-240V 50/60Hz	220-240V 50/60Hz	220-240V 50/60Hz
Ambient temperature	-25°C to +50°C	-30°C to +60°C	-25°C to +45°C
Power factor (max)	0.55	0.97	0.95
Dim	NOT DIMMABLE	NOT DIMMABLE	NOT DIMMABLE
Max drivers on MCB 16A type B*	27	6	11
Output voltage / Power range	24V / 0-20W	24V / 0-100W	24V / 0-120W

	 49 60 240 IP20	 19 55 146 1-10V IP20	 34 50 250 1-10V IP67
Reference	12405030	12402030	12402130
Dimensions (LxWxH)	240x60x49	146x55x19	250x50x34
Input	220-240V 50/60Hz	220-240V 50/60Hz	220-240V 50/60Hz
Ambient temperature	-40°C to +45°C	-25°C to +50°C	-25°C to +55°C
Power factor (max)	0.97	0.95	0.9
Dim	NOT DIMMABLE	1-10V	1-10V
Max drivers on MCB 16A type B*	8	27	10
Output voltage / Power range	24V / 0-150W	24V / 0-25W	24V / 28-80W

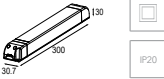
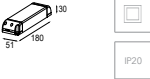
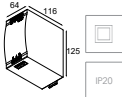
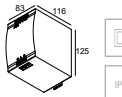
	 31 60 250 1-10V IP67	 41 70 230 1-10V IP66	 47 78 256 1-10V IP66
Reference	12402230	12406930	12407030
Dimensions (LxWxH)	250x60x39	230x70x46	256x78x47
Input	220-240V 50/60Hz	220-240V 50/60Hz	220-240V 50/60Hz
Ambient temperature	-25°C to +55°C	-40°C to +50°C	-40°C to +50°C
Power factor (max)	0.9	0.98	0.99
Dim	1-10V	1-10V	1-10V
Max drivers on MCB 16A type B*	10	13	9
Output voltage / Power range	24V / 60-120W	24V / 0-100W	24V / 0-150W

	 34 46 166 PUSH IP20	 49 60 240 1-10V PUSH IP20	 35 60 180 R.C. IP20
Reference	12406030	12406130	12406230
Dimensions (LxWxH)	166x46x34	240x60x49	180x60x35
Input	220-240V 50/60Hz	220-240V 50/60Hz	220-240V 50/60Hz
Ambient temperature	-25°C to +50°C	-25°C to +50°C	-40°C to +50°C
Power factor (max)	0.6	0.98	0.92
Dim	PUSHDIM	1-10V / PUSHDIM	TRAILING EDGE
Max drivers on MCB 16A type B*	27	8	54
Output voltage / Power range	24V / 0-22W	24V / 0-120W	24V / 0-45W

			
Reference	12406330	12403930	12405230
Dimensions (LxWxH)	200x70x46	110x52x20	295x43x30
Input	220-240V 50/60Hz	220-240V 50/60Hz	220-240V 50/60Hz
Ambient temperature	-40°C to +40°C	-25°C to +45°C	-25°C to +45°C
Power factor (max)	0.95	0.92	0.93
Dim	TRAILING EDGE	DALI	PUSHDIM / DALI / DSI
Max drivers on MCB 16A type B*	30	50	9
Output voltage / Power range	24V / 0-80W	24V / 0-16W	24V / 0-100W
DIP-switch setting (check on driver)			

	
Reference	12406430
Dimensions (LxWxH)	325x43x30
Input	220-240V 50/60Hz
Ambient temperature	-25°C to +50°C
Power factor (max)	0.94
Dim	PUSHDIM / DALI / DSI
Max drivers on MCB 16A type B*	6
Output voltage / Power range	24V / 0-150W

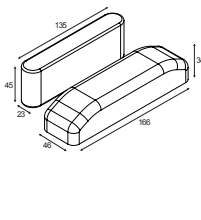
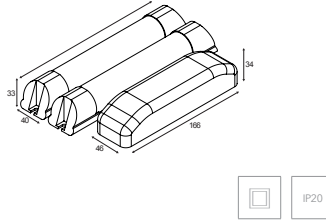


Driver specs. - constant voltage 48V

				
Reference	12408630	12408730	12407530	12408430
Dimensions (LxWxH)	300x40x30	180x52x30	125x63.5x123.6	125x83x126
Input	220-240V 50/60Hz	220-240V 50/60Hz	90-264V 50/60Hz	90-264V 50/60Hz
Ambient temperature	-15°C to +45°C	-15°C to +45°C	-40°C to +70°C	-40°C to +70°C
Power factor (max)	0.95	0.95	0.70	0.70
Dim	NOT DIMMABLE	NOT DIMMABLE	NOT DIMMABLE	NOT DIMMABLE
Max drivers on MCB 16A type B*	15	15	8	8
Output voltage / Power range	48V / 0-120W	48V / 0-75W	48V / 0-120W (DIN RAIL)	48V / 0-240W (DIN RAIL)

CONVERSION TABLE FOR MAX. QUANTITIES OF DRIVERS ON OTHER TYPES OF MINIATURE CIRCUIT BREAKER

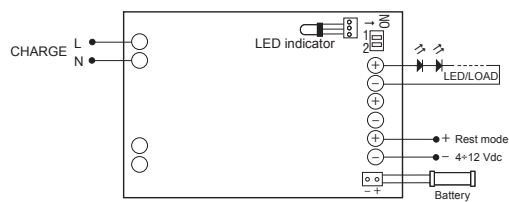
MCB type	MAX. CURRENT	RELATIVE NUMBER OF DRIVERS
B	25A	156%
B	20A	125%
B	16A	100%
B	10A	63%
C	25A	260%
C	20A	208%
C	16A	170%
C	10A	104%

Back-up unit (1 hour - 3 hours)

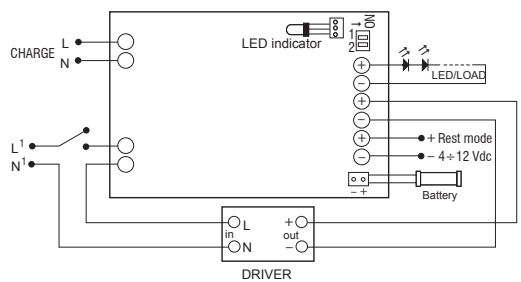
		
Reference	12400010	12400110
Dimensions (LxWxH)	unit 166x46x34 / battery pack 135x45x23	unit 166x46x34 / 2x battery pack 212x40x33
Input	220-240V 50/60Hz	220-240V 50/60Hz
Ambient temperature	0°C to 50°C	0°C to 50°C
Emergency operating time	1 hour	3 hours
Charge time	24 hours	24 hours
Output	100-400mA 9-58V	100-400mA 9-58V
DIP-switch setting		

Wiring diagrams

Non-maintained (emergency only)



Maintained with external electronic driver



Remarks

- Respect polarity for installation of battery and LED luminaire.
- Keep batteries away from heat source.
- Do not connect any external battery charger!
- In order to check the correct functionality, we recommend a charging time of about 30 hours.
- It is advisable to effect every 3 months at least one discharge and charge cycle in order to assure the maximum efficiency.
- Replace the batteries every 4 years or after 500 charge/discharge cycles.
- Please check wire diagrams before installing.

	Typical drive current	Emergency light output compared to light output at typical current
Chapeau 206 LED GE	350mA	50%
Dent large LED GE	350mA	30%
Dent medium LED GE	350mA	30%
Dent small LED GE	350mA	75%
Duell recessed 1x LED GE	500mA	72%
Duell recessed 2x LED GE	500mA	72% *
Hipy 110 IP67 LED GE	500mA	72%
Hipy 70 IP67 LED GE	350mA	100%
Hollow 115 trimless LED GE	500mA	72%
Hollow 125 LED GE	500mA	72%
Julien IP54 LED GE	500mA	100%
K120 adjustable LED GE	500mA	36%
K72 IP54 LED GE	500mA	72%
K77 adjustable LED GE	500mA	72%
Kurk IP40 LED GE	700mA	47%
Kurk surface IP40 GE	700mA	47%
Lotis 82 (concrete) LED GE	500mA	72%
Lotis 86 IP55 LED GE	500mA	72%
Lotis 97 (concrete) adjustable LED GE	500mA	72%
Lotis square (IP55) LED GE	500mA	72%
Marbul recessed 1x LED GE	500mA	72%
Marbul recessed warm dim 1x LED GE	350mA	51%
Marbul recessed 2x LED GE	500mA	72%
Marbul recessed warm dim 2x LED GE	350mA	51%
Marbul suspension (adjustable) LED GE	500mA	72%
Marbul suspension (adjustable) warm dim LED GE	350mA	51%
Marcel 1x LED GE	500mA	36%
Marcel 2x LED GE	500mA	36%
Marcel 3x LED GE	500mA	36%
Médard 42 recessed LED GE	500mA	75%
Médard 42 recessed warm dim LED GE	350mA	100%
Médard 42 semi-recessed LED GE	700mA	47%
Médard 42 semi-recessed warm dim LED GE	350mA	100%
Médard 70 recessed LED GE	500mA	72%
Médard 70 recessed warm dim LED GE	350mA	51%
Médard 70 semi-recessed LED GE	500mA	38%
Médard 70 semi-recessed warm dim LED GE	350mA	51%
Médard 70 stretched semi-recessed 1x LED GE	500mA	38%
Médard 70 stretched semi-recessed warm dim 1x LED GE	350mA	51%
Médard 70 stretched semi-recessed 2x LED GE	500mA	38%
Médard 70 stretched semi-recessed warm dim 2x LED GE	350mA	51%
Mini-multiple 1x LED GE	500mA	72%
Mini-multiple 2x LED GE	500mA	72% *
Mini-multiple 3x LED GE	500mA	72% *
Mini-multiple 4x LED GE	500mA	72% *

	Typical drive current	Emergency light output compared to light output at typical current
Minude 45 ceiling recessed adjustable LED GE	500mA	72%
M-LED 50 GE	500mA	72%
M-LED 50 warm dim GE	350mA	100%
M-LED 70 GE	500mA	72%
M-LED 70 warm dim GE	350mA	100%
M-LED 111 GE	500mA	38%
Nomad 111 2x LED GE	500mA	38% *
Nomad 111 4x LED GE	500mA	38% *
Nomad 2xLED AR 111	500mA	33%
Nomad 4xLED AR 111	1000mA	17%
Pupil LED GE	700mA	54%
Pupil warm dim LED GE	350mA	100%
Qbini fix/adjustable/asy 1x LED GE	500mA	70%
Qbini fix/adjustable/asy 2x LED GE	500mA	70%
Qbini fix/adjustable/asy 3x LED GE	500mA	50%
Qbini fix/adjustable/asy 4x LED GE	500mA	35%
Qbini fix/adjustable/asy trimless 1x LED GE	500mA	70%
Qbini fix/adjustable/asy trimless 2x LED GE	500mA	70%
Qbini fix/adjustable/asy trimless 3x LED GE	500mA	50%
Qbini fix/adjustable/asy trimless 4x LED GE	500mA	35%
Qbini general 2X LED GE	500mA	100%
Qbini general 4X LED GE	500mA	55%
Rektor recessed LED GE	500mA	35%
Rektor recessed warm dim LED GE	350mA	51%
Scotty 270 adjustable LED GE	350mA	43%
Scotty 270 LED GE	500mA	29%
Slide IP54 LED GE	500mA	72%
Smart Cake / Kup / Lotis / (asy) 48 (IP54) LED GE	500mA	75% **
Smart Cake / Kup / Lotis /+ (asy) 48 (IP54) LED GE	500mA	70%
Smart Cake / Kup / Lotis 82 (IP54) LED GE	500mA	72%
Smart Cake / Kup / Lotis 82 adjustable LED GE	500mA	72%
Smart Cake / Kup / Lotis 82 (IP54) (adjustable) warm dim LED GE	350mA	100%
Smart Cake / Kup / Lotis 115 (diffuse) (IP54) LED GE	500mA	35%
Smart Cake / Kup / Lotis 115 adjustable LED GE	500mA	72%
Smart Cake / Kup / Lotis 115 adjustable warm dim LED GE	350mA	51%
Smart Cake/ Kup / Lotis 160 (diffuse) (IP54) LED GE	900mA	25%
Stove LED GE	350mA	50%
Thimble 70 trimless (adjustable) LED GE	500mA	70%
Thimble 74 (adjustable) LED GE	500mA	70%
Wink 82 LED GE	500mA	72%
Wink 115 LED GE	500mA	35%

UNIT DOES NOT FIT THROUGH CUTOUT HOLE OF FIXTURE

* WHEN USING ONLY ONE LAMP UNIT PER EMERGENCY UNIT

** MINIMUM 4 LUMINAIRES IN SERIES