

Driver matrix - non dimmable

(number of products allowed per driver)

NON-DIM		12400730		12403730		12408830		12403430	
Dimensions (LxWxH) min. cutout hole Number of LED output channels Max drivers on MCB 16A type B	mA	non dim		non dim		non dim		non dim	
		115x34x19		115x34x19		42x20		124x79x22	
		40		40		43		84	
		1		1		1		1	
		27		27		75		15	
FIXTURE		min	max	min	max	min	max	min	max
Chapeau 206 LED GE	350	-	-	1	1	-	-	1	2
	500	-	-	-	-	-	-	1	2
Dent large LED GE	350	-	-	-	-	-	-	1	1
Dent medium LED GE	350	-	-	-	-	-	-	1	1
Dent small LED GE	350	-	-	1	1	1	1	1	3
Duell recessed 1x LED GE	350	-	-	1	2	-	-	1	3
	500	1	1	-	-	-	-	1	3
Duell recessed 2x LED GE	350	-	-	1/2	1	-	-	1/2	1
	500	1/2	1/2	-	-	-	-	1/2	1
Hippy 110 IP67 LED GE	350	-	-	1	2	-	-	1	3
	500	1	1	-	-	-	-	1	3
	700	-	-	-	-	-	-	1	3
Hippy 70 IP67 LED GE	350	-	-	1	4	-	-	1	7
	500	-	-	1	2	-	-	1	4
Hollow 115 trimless LED GE	500	1	1	-	-	-	-	1	3
	350	-	-	1	2	-	-	1	4
Hollow 125 LED GE	500	1	1	-	-	-	-	1	3
	350	-	-	1	3	-	-	1	5
Julien IP54 LED GE	350	-	-	1	1	-	-	1	2
	500	-	-	-	-	-	-	1	1
K120 adjustable LED GE	500	-	-	-	-	-	-	1	1
	700	-	-	-	-	-	-	1	1
	350	-	-	1	2	-	-	1	3
K72 IP54 LED GE	500	1	1	-	-	-	-	1	3
	350	-	-	1	2	-	-	1	3
K77 adjustable LED GE	500	1	1	-	-	-	-	1	3
	350	-	-	1	2	-	-	1	3
	700	-	-	-	-	-	-	1	3
Kurk IP40 LED GE	500	1	1	-	-	-	-	1	3
	700	-	-	-	-	-	-	1	3
	350	-	-	1	2	-	-	1	3
Kurk surface IP40 GE	500	1	1	-	-	-	-	1	3
	700	-	-	-	-	-	-	1	3
Lotis 82 (concrete) LED GE	350	-	-	1	2	-	-	1	3
	500	1	1	-	-	-	-	1	3
Lotis 86 IP55 LED GE	350	-	-	1	2	-	-	1	3
	500	1	1	-	-	-	-	1	3
Lotis 97 (concrete) adjustable LED GE	500	1	1	-	-	-	-	1	3
	350	-	-	1	2	-	-	1	3
Lotis square (IP55) LED GE	500	1	1	-	-	-	-	1	3
	350	-	-	1	2	-	-	1	3
	700	-	-	-	-	-	-	1	3
Marbul recessed 1x LED GE	500	1	1	-	-	-	-	1	3
	350	-	-	1/2	1	-	-	1/2	1
Marbul recessed 2x LED GE	500	1/2	1/2	-	-	-	-	1/2	1
	350	-	-	1	1	-	-	1	1
Marbul recessed warm dim 1x LED GE	350	-	-	1/2	1/2	-	-	1/2	1/2
	500	-	-	1	2	-	-	1	3
Marbul suspension (adjustable) LED GE	500	1	1	-	-	-	-	1	3
	350	-	-	1	1	-	-	1	1
Marbul suspension (adjustable) warm dim LED GE	350	-	-	1	1	-	-	1	1
	500	-	-	1	1	-	-	1	1
	700	-	-	1	1	-	-	1	2
Marcel 1x LED GE	500	-	-	-	-	-	-	1	1
	700	-	-	-	-	-	-	1	1
	350	-	-	1/2	1/2	-	-	1/2	1
Marcel 2x LED GE	500	-	-	-	-	-	-	1/2	1/2
	700	-	-	-	-	-	-	1/2	1/2
	350	-	-	1/3	1/3	-	-	1/3	1/2
Marcel 3x LED GE	500	-	-	-	-	-	-	1/3	1/3
	700	-	-	-	-	-	-	1/3	1/3
	350	-	-	1	4	-	-	1	7
Médard 42 recessed LED GE	500	1	2	-	-	-	-	1	7
	350	-	-	1	2	-	-	1	3
Médard 42 recessed warm dim LED GE	350	-	-	1	2	-	-	1	4
	500	1	1	-	-	-	-	1	3
Médard 42 semi-recessed LED GE	700	-	-	-	-	-	-	1	3
	350	-	-	1	2	-	-	1	3
Médard 42 semi-recessed warm dim LED GE	350	-	-	1	2	-	-	1	3
	500	-	-	1	2	-	-	1	3
	700	-	-	-	-	-	-	1	3
Médard 70 recessed LED GE	500	1	1	-	-	-	-	1	3
	700	-	-	-	-	-	-	1	3
	350	-	-	1	1	-	-	1	1

Driver matrix - non dimmable

(number of products allowed per driver)

NON-DIM		12400730		12403730		12408830		12403430	
		non dim		non dim		non dim		non dim	
Dimensions (LxWxH)		115x34x19		115x34x19		42x20		124x79x22	
min. cutout hole		40		40		43		84	
Number of LED output channels		1		1		1		1	
Max drivers on MCB 16A type B		27		27		75		15	
FIXTURE	mA	min	max	min	max	min	max	min	max
Médard 70 semi-recessed LED GE	350	-	-	1	1	-	-	1	2
	500	-	-	-	-	-	-	1	2
Médard 70 semi-recessed warm dim LED GE	350	-	-	1	1	-	-	1	1
	350	-	-	1	1	-	-	1	2
Médard 70 stretched semi-recessed 1x LED GE	350	-	-	-	-	-	-	1	2
	500	-	-	-	-	-	-	1	2
Médard 70 stretched semi-recessed 2x LED GE	350	-	-	1/2	1/2	-	-	1/2	1
	500	-	-	-	-	-	-	1/2	1
Médard 70 stretched semi-recessed warm dim 1x LED GE	350	-	-	1	1	-	-	1	1
Médard 70 stretched semi-recessed warm dim 2x LED GE	350	-	-	1/2	1/2	-	-	1/2	1/2
Mini-multiple 1x LED GE	350	-	-	1	2	-	-	1	3
	500	1	1	-	-	-	-	1	3
Mini-multiple 2x LED GE	350	-	-	1/2	1	-	-	1/2	1
	500	1/2	1/2	-	-	-	-	1/2	1
Mini-multiple 3x LED GE	350	-	-	1/3	1/2	-	-	1/3	1
	500	1/3	1/3	-	-	-	-	1/3	1
Mini-multiple 4x LED GE	350	-	-	1/4	1/2	-	-	1/4	1/2
	500	1/4	1/4	-	-	-	-	1/4	1/2
Minute 45 ceiling recessed adjustable LED GE	350	-	-	1	2	-	-	1	4
	500	1	1	-	-	-	-	1	3
Minute 45 suspension LED GE	350	-	-	1	2	2	2	1	4
	500	1	1	-	-	-	-	1	3
M-LED 50 GE	350	-	-	1	2	-	-	1	3
	500	1	1	-	-	-	-	1	3
M-LED 50 warm dim GE	350	-	-	1	2	-	-	1	3
	350	-	-	1	2	-	-	1	3
M-LED 70 GE	350	1	1	-	-	-	-	1	3
	500	-	-	1	2	-	-	1	3
M-LED 70 warm dim GE	350	-	-	1	1	-	-	1	2
	500	-	-	-	-	-	-	1	2
M-LED 111 GE	350	-	-	1/2	1/2	-	-	1/2	1
	500	-	-	-	-	-	-	1/2	1
Nomad 111 2x LED GE	350	-	-	-	-	-	-	1/2	1/2
	500	-	-	1/4	1/4	-	-	1/4	1/2
Nomad 111 4x LED GE	350	-	-	-	-	-	-	1/4	1/2
	500	-	-	-	-	-	-	1/4	1/2
Nomad 2xLED AR 111	350	-	-	-	-	-	-	1	1
	500	-	-	-	-	-	-	1	1
Nomad 4xLED AR 111	350	-	-	1	2	2	2	1	3
	500	-	-	1	4	-	-	1	7
Placebo up/down LED GE	350	1	2	-	-	-	-	1	7
	700	-	-	-	-	-	-	1	7
Pupil LED GE	350	-	-	1	2	-	-	1	3
	500	1	2	-	-	-	-	1	7
Pupil warm dim LED GE	350	-	-	1	4	-	-	1	7
	500	1	2	-	-	-	-	1	7
Qbini fix/adjustable/asy 1x LED GE	350	-	-	1/2	2	-	-	1/2	3
	500	1/2	1	-	-	-	-	1/2	3
Qbini fix/adjustable/asy 2x LED GE	350	-	-	1/3	1	-	-	1/3	2
	500	1/3	1/2	-	-	-	-	1/3	2
Qbini fix/adjustable/asy 3x LED GE	350	-	-	1/4	1	-	-	1/4	1
	500	1/4	1/2	-	-	-	-	1/4	1
Qbini fix/adjustable/asy trimless 1x LED GE	350	-	-	1	4	-	-	1	7
	500	1	2	-	-	-	-	1	7
Qbini fix/adjustable/asy trimless 2x LED GE	350	-	-	1/2	2	-	-	1/2	3
	500	1/2	1	-	-	-	-	1/2	3
Qbini fix/adjustable/asy trimless 3x LED GE	350	-	-	1/3	1	-	-	1/3	2
	500	1/3	1/2	-	-	-	-	1/3	2
Qbini fix/adjustable/asy trimless 4x LED GE	350	-	-	1/4	1	-	-	1/4	1
	500	1/4	1/2	-	-	-	-	1/4	1
Qbini fix/adjustable/asy trimless warm dim 1x LED GE	250	-	-	-	-	-	-	-	-
Qbini fix/adjustable/asy trimless warm dim 2x LED GE	250	-	-	-	-	-	-	-	-
Qbini fix/adjustable/asy trimless warm dim 3x LED GE	250	-	-	-	-	-	-	-	-
Qbini fix/adjustable/asy trimless warm dim 4x LED GE	250	-	-	-	-	-	-	-	-
Qbini fix/adjustable/asy warm dim 1x LED GE	250	-	-	-	-	-	-	-	-
Qbini fix/adjustable/asy warm dim 2x LED GE	250	-	-	-	-	-	-	-	-
Qbini fix/adjustable/asy warm dim 3x LED GE	250	-	-	-	-	-	-	-	-
Qbini fix/adjustable/asy warm dim 4x LED GE	250	-	-	-	-	-	-	-	-

Driver matrix - non dimmable

(number of products allowed per driver)

NON-DIM		12400730		12403730		12408830		12403430	
		non dim		non dim		non dim		non dim	
Dimensions (LxWxH)		115x34x19		115x34x19		42x20		124x79x22	
min. cutout hole		40		40		43		84	
Number of LED output channels		1		1		1		1	
Max drivers on MCB 16A type B		27		27		75		15	
FIXTURE	mA	min	max	min	max	min	max	min	max
Obini general 2X LED GE	350	-	-	1	3	-	-	1	5
	500	1	1	-	-	-	-	1	5
Obini general 4X LED GE	350	-	-	1/2	1	-	-	1/2	2
	500	1/2	1/2	-	-	-	-	1/2	2
Rektor recessed LED GE	350	-	-	1	1	-	-	1	2
	500	-	-	-	-	-	-	1	2
Rektor recessed warm dim LED GE	350	-	-	1	1	-	-	1	1
Scotty 270 adjustable LED GE	350	-	-	1	1	-	-	1	2
Scotty 270 LED GE	350	-	-	1	1	-	-	1	2
	500	-	-	-	-	-	-	1	1
Shelby 176 trimless LED GE	350	-	-	1	2	-	-	1	4
	500	1	1	-	-	-	-	1	3
Shelby 176 trimless warm dim LED GE	700	-	-	-	-	-	-	1	3
	350	-	-	1	1	-	-	1	1
Shelby 184 LED GE	350	-	-	1	2	-	-	1	4
	500	1	1	-	-	-	-	1	3
Shelby 184 warm dim LED GE	700	-	-	-	-	-	-	1	3
	350	-	-	1	1	-	-	1	1
Slide IP54 LED GE	350	-	-	1	2	-	-	1	3
	500	1	1	-	-	-	-	1	3
Smart Cake / Kup / Lotis / (asy) 48 (IP54) LED GE	350	-	-	1	14	-	-	1	23
	500	1	8	-	-	-	-	1	23
Smart Cake / Kup / Lotis / (asy) 48 warm dim (IP55) LED GE	250	-	-	-	-	-	-	-	-
Smart Cake / Kup / Lotis /+ (asy) 48 (IP54) LED GE	350	-	-	1	4	-	-	1	7
	500	1	2	-	-	-	-	1	7
Smart Cake / Kup / Lotis 82 (adjustable) warm dim LED GE (IP54)	350	-	-	1	2	-	-	1	3
	350	-	-	1	2	-	-	1	3
Smart Cake / Kup / Lotis 82 (IP54) LED GE	500	1	1	-	-	-	-	1	3
	700	-	-	-	-	-	-	1	3
	350	-	-	1	2	-	-	1	3
Smart Cake / Kup / Lotis 82 adjustable LED GE	500	1	1	-	-	-	-	1	3
	350	-	-	1	2	-	-	1	3
Smart Cake / Kup / Lotis 115 adjustable LED GE	500	1	1	-	-	-	-	1	3
	700	-	-	-	-	-	-	1	3
Smart Cake / Kup / Lotis 115 adjustable warm dim LED GE	350	-	-	1	1	-	-	1	1
Smart Cake / Kup / Lotis 115 (diffuse) (IP54) LED GE	350	-	-	1	1	-	-	1	2
	500	-	-	-	-	-	-	1	2
Smart Cake / Kup / Lotis 160 (diffuse) (IP54) LED GE	700	-	-	-	-	-	-	1	1
	900	-	-	-	-	-	-	1	1
	1050	-	-	-	-	-	-	1	1
	1200	-	-	-	-	-	-	-	-
	1400	-	-	-	-	-	-	-	-
	350	-	-	1	1	-	-	1	2
	500	-	-	-	-	-	-	1	2
Thimble 70 trimless (adjustable) LED GE	350	-	-	1	2	-	-	1	4
	500	1	1	-	-	-	-	1	3
Thimble 74 (adjustable) LED GE	350	-	-	1	2	-	-	1	4
	500	1	1	-	-	-	-	1	3
Wink 82 LED GE	350	-	-	1	2	-	-	1	3
	500	1	1	-	-	-	-	1	3
Wink 115 LED GE	350	-	-	1	1	-	-	1	2
	500	-	-	-	-	-	-	1	2
700	-	-	-	-	-	-	1	1	

Driver matrix - mains dimmable

(number of products allowed per driver)

TRAILING/LEADING EDGE (MAINS DIMMING)			12404830		12404930		12407230		12404230		12404330		12408530		12400330		12405730	
Dimensions (LxWxH)			MAINS		MAINS		MAINS		MAINS		MAINS		MAINS		MAINS/PUSH		MAINS/PUSH	
min. cutout hole			102x38x21		102x38x21		102x38x21		111x52x22		111x52x22		111x52x22		166x46x34		163x83x35	
Number of LED output channels			42		42		42		54		54		54		56		88	
Max drivers on MCB 16A type B			1		1		1		1		1		1		1		1	
			50		50		50		50		50		50		50		30	
FIXTURE	mA	min	max	min	max	min	max	min	max	min	max	min	max	min	max	min	max	
Obini general 2X LED GE	350	1	2	-	-	-	-	3	4	-	-	-	-	1	3	-	-	
	500	-	-	1	1	-	-	-	-	2	3	-	-	1	3	-	-	
Obini general 4X LED GE	350	1/2	1	-	-	-	-	1	2	-	-	-	-	1/2	1	-	-	
	500	-	-	1/2	1/2	-	-	-	-	1	1	-	-	1/2	1	-	-	
Rektor recessed LED GE	350	-	-	-	-	-	-	1	1	-	-	-	-	1	1	-	-	
	500	-	-	-	-	-	-	-	-	1	1	-	-	1	1	-	-	
Rektor recessed warm dim LED GE	350	-	-	-	-	-	-	1	1	-	-	-	-	-	-	-	-	
Scotty 270 adjustable LED GE	350	-	-	-	-	-	-	1	1	-	-	-	-	1	1	-	-	
Scotty 270 LED GE	350	-	-	-	-	-	-	1	1	-	-	-	-	1	1	-	-	
	500	-	-	-	-	-	-	-	-	1	1	-	-	1	1	-	-	
Shellby 176 trimless LED GE	350	1	1	-	-	-	-	2	2	-	-	-	-	1	2	-	-	
	500	-	-	1	1	-	-	-	-	1	2	-	-	1	2	-	-	
Shellby 176 trimless warm dim LED GE	350	-	-	-	-	-	-	1	1	-	-	-	-	1	1	2	-	
	500	-	-	-	-	-	-	-	-	1	1	1	1	1	2	-	-	
Shellby 184 LED GE	350	1	1	-	-	-	-	2	2	-	-	-	-	1	2	-	-	
	500	-	-	1	1	-	-	-	-	1	2	-	-	1	2	-	-	
Shellby 184 warm dim LED GE	350	-	-	-	-	-	-	1	1	-	-	-	-	-	-	-	-	
	500	-	-	-	-	-	-	-	-	1	2	-	-	1	2	-	-	
Slide IP54 LED GE	350	1	1	-	-	-	-	2	2	-	-	-	-	1	2	-	-	
	500	-	-	1	1	-	-	-	-	1	2	-	-	1	2	-	-	
Smart Cake / Kup / Lotis / (asy) 48 (IP54) LED GE	350	4	9	-	-	-	-	9	17	-	-	-	-	1	15	-	-	
	500	-	-	4	6	-	-	-	-	6	13	-	-	1	15	-	-	
Smart Cake / Kup / Lotis / (asy) 48 warm dim (IP55) LED GE	250	-	-	-	-	1	1	-	-	-	-	-	-	-	-	-	-	
Smart Cake / Kup / Lotis / + (asy) 48 (IP54) LED GE	350	2	2	-	-	-	-	3	5	-	-	-	-	1	4	-	-	
	500	-	-	2	2	-	-	-	-	2	4	-	-	1	4	-	-	
Smart Cake / Kup / Lotis 82 (adjustable) warm dim LED GE (IP54)	350	1	1	-	-	-	-	2	2	-	-	-	-	-	-	-	-	
Smart Cake / Kup / Lotis 82 (IP54) LED GE	350	1	1	-	-	-	-	2	2	-	-	-	-	1	2	-	-	
	500	-	-	1	1	-	-	-	-	1	2	-	-	1	2	-	-	
Smart Cake / Kup / Lotis 82 adjustable LED GE	350	1	1	-	-	-	-	2	2	-	-	-	-	1	2	-	-	
	500	-	-	1	1	-	-	-	-	1	2	-	-	1	2	-	-	
Smart Cake / Kup / Lotis 115 adjustable LED GE	350	1	1	-	-	-	-	2	2	-	-	-	-	1	2	-	-	
	500	-	-	1	1	-	-	-	-	1	2	-	-	1	2	-	-	
Smart Cake / Kup / Lotis 115 adjustable warm dim LED GE	350	-	-	-	-	-	-	1	1	-	-	-	-	-	-	-	-	
	500	-	-	-	-	-	-	1	1	-	-	-	-	-	-	-	-	
Smart Cake / Kup / Lotis 115 (diffuse) (IP54) LED GE	350	-	-	-	-	-	-	1	1	-	-	-	-	1	1	-	-	
	500	-	-	-	-	-	-	-	-	1	1	-	-	1	1	-	-	
Smart Cake / Kup / Lotis 160 (diffuse) (IP54) LED GE	700	-	-	-	-	-	-	-	-	-	-	-	-	1	1	-	-	
	500	-	-	-	-	-	-	-	-	1	1	-	-	1	1	-	-	
Stove LED GE	350	-	-	-	-	-	-	1	1	-	-	-	-	1	1	-	-	
	500	-	-	-	-	-	-	-	-	1	1	-	-	1	1	-	-	
Thimble 70 trimless (adjustable) LED GE	350	1	1	-	-	-	-	2	2	-	-	-	-	1	2	-	-	
	500	-	-	1	1	-	-	-	-	1	2	-	-	1	2	-	-	
Thimble 74 (adjustable) LED GE	350	1	1	-	-	-	-	2	2	-	-	-	-	1	2	-	-	
	500	-	-	1	1	-	-	-	-	1	2	-	-	1	2	-	-	
Wink 82 LED GE	350	1	1	-	-	-	-	2	2	-	-	-	-	1	2	-	-	
	500	-	-	1	1	-	-	-	-	1	2	-	-	1	2	-	-	
Wink 115 LED GE	350	-	-	-	-	-	-	1	1	-	-	-	-	1	1	-	-	
	500	-	-	-	-	-	-	-	-	1	1	-	-	1	1	-	-	

Driver matrix - 1-10V dimmable (1)

(number of products allowed per driver)

1-10V MIN. CUTOUT HOLE Ø40/54/55/72 MM		12409130		11630330		11630430		11630530	
Dimensions (LxWxH)		1-10V		1-10V hybrid deepdim		1-10V hybrid deepdim		1-10V hybrid deepdim	
		135x30x20		160x41.5x30.5		160x41.5x30.5		160x41.5x30.5	
min. cutout hole		40		54		54		54	
*Number of LED output channels		1		1		1		1	
Max drivers on MCB 16A type B		100		106		106		106	
FIXTURE	mA	min	max	min	max	min	max	min	max
Chapeau 206 LED GE	350	-	-	1	1	-	-	-	-
Chapeau 206 LED GE	500	-	-	-	-	1	1	-	-
Dent large LED GE	350	-	-	-	-	-	-	-	-
Dent medium LED GE	350	-	-	-	-	-	-	-	-
Dent small LED GE	350	1	1	1	1	-	-	-	-
Duell recessed 1x LED GE	350	1	1	1	2	-	-	-	-
Duell recessed 1x LED GE	500	1	1	-	-	1	2	-	-
Duell recessed 2x LED GE	350	1/2	1/2	1/2	1	-	-	-	-
Duell recessed 2x LED GE	500	1/2	1/2	-	-	1/2	1	-	-
Hipy 110 IP67 LED GE	350	1	1	1	2	-	-	-	-
Hipy 110 IP67 LED GE	500	1	1	-	-	1	2	-	-
Hipy 70 IP67 LED GE	350	2	2	1	4	-	-	1	1
Hollow 115 trimless LED GE	350	1	1	1	2	-	-	-	-
Hollow 115 trimless LED GE	500	1	1	-	-	1	2	-	-
Hollow 125 LED GE	350	1	1	1	2	-	-	-	-
Hollow 125 LED GE	500	1	1	-	-	1	2	-	-
Julien IP54 LED GE	350	1	1	1	3	-	-	-	-
Julien IP54 LED GE	350	-	-	1	1	-	-	-	-
K120 adjustable LED GE	500	-	-	-	-	1	1	-	-
K120 adjustable LED GE	700	-	-	-	-	-	-	-	-
K72 IP54 LED GE	350	1	1	1	2	-	-	-	-
K72 IP54 LED GE	500	1	1	-	-	1	2	-	-
K77 adjustable LED GE	350	1	1	1	2	-	-	-	-
K77 adjustable LED GE	500	1	1	-	-	1	2	-	-
Kurk IP40 LED GE	350	1	1	1	1	-	-	-	-
Kurk IP40 LED GE	500	1	1	-	-	1	1	-	-
Kurk IP40 LED GE	700	-	-	-	-	-	-	1	1
Kurk surface IP40 GE	350	1	1	1	1	-	-	-	-
Kurk surface IP40 GE	500	1	1	-	-	1	1	-	-
Kurk surface IP40 GE	700	-	-	-	-	-	-	1	1
Lotis 82 (concrete) LED GE	350	1	1	1	2	-	-	-	-
Lotis 82 (concrete) LED GE	500	1	1	-	-	1	2	-	-
Lotis 86 IP55 LED GE	350	1	1	1	2	-	-	-	-
Lotis 86 IP55 LED GE	500	1	1	-	-	1	2	-	-
Lotis 97 (concrete) adjustable LED GE	350	1	1	1	2	-	-	-	-
Lotis 97 (concrete) adjustable LED GE	500	1	1	-	-	1	2	-	-
Lotis square (IP55) LED GE	350	1	1	1	2	-	-	-	-
Lotis square (IP55) LED GE	500	1	1	-	-	1	2	-	-
Marbul recessed 1x LED GE	350	1	1	1	2	-	-	-	-
Marbul recessed 1x LED GE	500	1	1	-	-	1	2	-	-
Marbul recessed 2x LED GE	350	1/2	1/2	1/2	1	-	-	-	-
Marbul recessed 2x LED GE	500	1/2	1/2	-	-	1/2	1	-	-
Marbul recessed warm dim 1x LED GE	350	-	-	1	1	-	-	-	-
Marbul recessed warm dim 1x LED GE	350	-	-	1/2	1/2	-	-	-	-
Marbul suspension (adjustable) LED GE	350	1	1	1	2	-	-	-	-
Marbul suspension (adjustable) LED GE	500	1	1	-	-	1	2	-	-
Marbul suspension (adjustable) warm dim LED GE	350	-	-	1	1	-	-	-	-
Marbul suspension (adjustable) warm dim LED GE	350	-	-	1	1	-	-	-	-
Marcel 1x LED GE	350	-	-	1	1	-	-	-	-
Marcel 1x LED GE	500	-	-	-	-	1	1	-	-
Marcel 1x LED GE	700	-	-	-	-	-	-	-	-
Marcel 2x LED GE	350	-	-	1/2	1/2	-	-	-	-
Marcel 2x LED GE	500	-	-	-	-	1/2	1/2	-	-
Marcel 2x LED GE	700	-	-	-	-	-	-	-	-
Marcel 3x LED GE	350	-	-	1/3	1/3	-	-	-	-
Marcel 3x LED GE	500	-	-	-	-	1/3	1/3	-	-
Marcel 3x LED GE	700	-	-	-	-	-	-	-	-
Médard 42 recessed LED GE	350	2	2	1	4	-	-	-	-
Médard 42 recessed LED GE	500	2	2	-	-	1	4	-	-
Médard 42 recessed warm dim LED GE	350	-	-	1	2	-	-	-	-
Médard 42 recessed warm dim LED GE	350	1	1	1	2	-	-	-	-
Médard 42 semi-recessed LED GE	500	1	1	-	-	1	2	-	-
Médard 42 semi-recessed LED GE	700	-	-	-	-	-	-	1	1
Médard 42 semi-recessed warm dim LED GE	350	-	-	1	2	-	-	-	-
Médard 42 semi-recessed warm dim LED GE	350	1	1	1	2	-	-	-	-
Médard 70 recessed LED GE	500	1	1	-	-	1	2	-	-
Médard 70 recessed LED GE	700	-	-	-	-	-	-	1	1
Médard 70 recessed warm dim LED GE	350	-	-	1	1	-	-	-	-

12407130		12407730		12408030		12405430		12408230	
1-10V		1-10V/PUSH		1-10V/PUSH		1-10V/PUSH		1-10V/PUSH	
146,5x44x30		110,4x52x22		110,4x52x22		103x67x21		103x67x21	
54		55		55		72		72	
1		1		1		1		1	
50		50		50		50		50	
min	max	min	max	min	max	min	max	min	max
1	1	1	1	1	1	1	1	1	1
1	1	1	1	1	1	1	1	1	1
1	1	-	-	-	-	1	1	1	1
1	1	-	-	-	-	1	1	1	1
1	2	1	2	1	2	1	2	1	2
1	2	1	2	1	2	1	2	1	2
1	2	1	2	1	2	1	2	1	2
1/2	1	1/2	1	1/2	1	1/2	1	1/2	1
1/2	1	1/2	1	1/2	1	1/2	1	1/2	1
1	2	1	2	1	2	1	2	1	2
1	2	1	2	1	2	1	2	1	2
1	2	1	2	1	2	1	2	1	2
1	2	1	2	1	2	1	2	1	2
2	5	2	5	2	5	2	5	2	5
1	3	1	2	1	2	1	2	1	2
1	2	1	2	1	2	1	2	1	2
1	3	1	2	1	2	1	2	1	2
1	2	1	2	1	2	1	2	1	2
1	4	2	3	2	3	1	4	1	4
1	1	1	1	1	1	1	1	1	1
1	1	1	1	1	1	1	1	1	1
1	1	-	-	-	-	1	1	1	1
1	2	1	2	1	2	1	2	1	2
1	2	1	2	1	2	1	2	1	2
1	2	1	2	1	2	1	2	1	2
1	2	1	2	1	2	1	2	1	2
1	2	1	2	1	2	1	2	1	2
1	2	1	2	1	2	1	2	1	2
1	2	1	2	1	2	1	2	1	2
1	2	1	2	1	2	1	2	1	2
1	2	1	2	1	2	1	2	1	2
1	2	1	2	1	2	1	2	1	2
1	2	1	2	1	2	1	2	1	2
1	2	1	2	1	2	1	2	1	2
1	2	1	2	1	2	1	2	1	2
1	2	1	2	1	2	1	2	1	2
1	2	1	2	1	2	1	2	1	2
1	2	1	2	1	2	1	2	1	2
1	2	1	2	1	2	1	2	1	2
1	2	1	2	1	2	1	2	1	2
1	2	1	2	1	2	1	2	1	2
1	2	1	2	1	2	1	2	1	2
1/2	1	1/2	1	1/2	1	1/2	1	1/2	1
1/2	1	1/2	1	1/2	1	1/2	1	1/2	1
1	1	1	1	1	1	-	-	1	1
1/2	1/2	1/2	1/2	1/2	1/2	-	-	1/2	1/2
1	2	1	2	1	2	1	2	1	2
1	2	1	2	1	2	1	2	1	2
1	1	1	1	1	1	-	-	1	1
1	1	1	1	1	1	-	-	1	1
1	1	1	1	1	1	1	1	1	1
1	1	1	1	1	1	1	1	1	1
1	1	1	1	1	1	1	1	1	1
1	1	1	1	1	1	1	1	1	1
1/2	1/2	1/2	1/2	1/2	1/2	1/2	1/2	1/2	1/2
1/2	1/2	-	-	-	-	1/2	1/2	1/2	1/2
1/3	1/3	1/3	1/3	1/3	1/3	1/3	1/3	1/3	1/3
1/3	1/3	1/3	1/3	1/3	1/3	1/3	1/3	1/3	1/3
1/3	1/3	-	-	-	-	1/3	1/3	1/3	1/3
2	5	2	5	2	5	2	5	2	5
2	5	1	4	1	4	1	5	1	5
1	2	1	2	1	2	-	-	1	2
1	3	1	2	1	2	1	2	1	2
1	2	1	2	1	2	1	2	1	2
1	2	1	1	1	1	1	2	1	2
1	2	1	2	1	2	-	-	1	2
1	2	1	2	1	2	1	2	1	2
1	2	1	2	1	2	1	2	1	2
1	2	1	2	1	2	1	2	1	2
1	2	1	2	1	2	1	2	1	2
1	1	1	1	1	1	-	-	1	1
1	1	1	1	1	1	-	-	1	1

Driver matrix - 1-10V dimmable (1)

(number of products allowed per driver)

1-10V MIN. CUTOUT HOLE Ø40/54/55/72 MM		12409130		11630330		11630430		11630530	
Dimensions (LxWxH)	1-10V	1-10V		1-10V		1-10V		1-10V	
	135x30x20	160x41.5x30.5		160x41.5x30.5		160x41.5x30.5		160x41.5x30.5	
min. cutout hole	40	54		54		54		54	
*Number of LED output channels	1	1		1		1		1	
Max drivers on MCB 16A type B	100	106		106		106		106	
FIXTURE	mA	min	max	min	max	min	max	min	max
Médard 70 semi-recessed LED GE	350	-	-	1	1	-	-	-	-
	500	-	-	-	-	1	1	-	-
Médard 70 semi-recessed warm dim LED GE	350	-	-	1	1	-	-	-	-
	350	-	-	1	1	-	-	-	-
Médard 70 stretched semi-recessed 1X LED GE	350	-	-	-	-	1	1	-	-
	500	-	-	-	-	1	1	-	-
Médard 70 stretched semi-recessed 2X LED GE	350	-	-	1/2	1/2	-	-	-	-
	500	-	-	-	-	1/2	1/2	-	-
Médard 70 stretched semi-recessed warm dim 1X LED GE	350	-	-	1	1	-	-	-	-
	350	-	-	1/2	1/2	-	-	-	-
Médard 70 stretched semi-recessed warm dim 2X LED GE	350	1	1	1	2	-	-	-	-
	500	1	1	-	-	1	2	-	-
Mini-multiple 1x LED GE	350	1/2	1/2	1/2	1	-	-	-	-
	500	1/2	1/2	-	-	1/2	1	-	-
Mini-multiple 2x LED GE	350	1/3	1/3	1/3	1/2	-	-	-	-
	500	1/3	1/3	-	-	1/3	1/2	-	-
Mini-multiple 3x LED GE	350	1/4	1/4	1/4	1/2	-	-	-	-
	500	1/4	1/4	-	-	1/4	1/2	-	-
Mini-multiple 4x LED GE	350	1	1	1	2	-	-	-	-
	500	1	1	-	-	1	2	-	-
Minude 45 ceiling recessed adjustable LED GE	350	1	1	-	-	1	2	-	-
	500	1	1	-	-	1	2	-	-
Minude 45 suspension LED GE	350	1	1	1	2	-	-	-	-
	500	1	1	-	-	1	2	-	-
M-LED 50 GE	350	1	1	1	2	-	-	-	-
	500	1	1	-	-	1	2	-	-
M-LED 50 warm dim GE	350	-	-	1	2	-	-	-	-
	350	1	1	1	2	-	-	-	-
M-LED 70 GE	350	1	1	1	2	-	-	-	-
	500	1	1	-	-	1	2	-	-
M-LED 70 warm dim GE	350	-	-	1	2	-	-	-	-
	350	-	-	1	1	-	-	-	-
M-LED 111 GE	350	-	-	-	-	1	1	-	-
	500	-	-	-	-	-	-	-	-
Nomad 111 2x LED GE	350	-	-	1/2	1/2	-	-	-	-
	500	-	-	-	-	1/2	1/2	-	-
Nomad 111 4x LED GE	350	-	-	1/4	1/4	-	-	-	-
	500	-	-	-	-	1/4	1/4	-	-
Nomad 2xLED AR 111	350	-	-	-	-	1	1	-	-
	500	-	-	-	-	-	-	-	-
Nomad 4xLED AR 111	350	-	-	-	-	-	-	-	-
	1050	-	-	-	-	-	-	-	-
Placebo up/down LED GE	350	1	1	1	2	-	-	-	-
	350	2	2	1	4	-	-	-	-
Pupil LED GE	350	2	2	-	-	1	4	-	-
	700	1	1	-	-	-	-	1	2
Pupil warm dim LED GE	350	-	-	1	2	-	-	-	-
	350	2	2	1	4	-	-	-	-
Qbini fix/adjustable/asy 1x LED GE	350	2	2	-	-	1	4	-	-
	500	2	2	-	-	-	-	1	2
Qbini fix/adjustable/asy 2x LED GE	350	1	1	1/2	2	-	-	-	-
	500	1	1	-	-	1/2	2	-	-
Qbini fix/adjustable/asy 3x LED GE	350	1/2	1/2	1/3	1	-	-	-	-
	500	1/2	1/2	-	-	1/3	1	-	-
Qbini fix/adjustable/asy 4x LED GE	350	1/2	1/2	1/4	1	-	-	-	-
	500	1/2	1/2	-	-	1/4	1	-	-
Qbini fix/adjustable/asy trimless 1x LED GE	350	2	2	1	4	-	-	-	-
	500	2	2	-	-	1	4	-	-
Qbini fix/adjustable/asy trimless 2x LED GE	350	1	1	1/2	2	-	-	-	-
	500	1	1	-	-	1/2	2	-	-
Qbini fix/adjustable/asy trimless 3x LED GE	350	1/2	1/2	1/3	1	-	-	-	-
	500	1/2	1/2	-	-	1/3	1	-	-
Qbini fix/adjustable/asy trimless 4x LED GE	350	1/2	1/2	1/4	1	-	-	-	-
	500	1/2	1/2	-	-	1/4	1	-	-
Qbini fix/adjustable/asy trimless warm dim 1x LED GE	250	-	-	-	-	-	-	-	-
Qbini fix/adjustable/asy trimless warm dim 2x LED GE	250	-	-	-	-	-	-	-	-
Qbini fix/adjustable/asy trimless warm dim 3x LED GE	250	-	-	-	-	-	-	-	-
Qbini fix/adjustable/asy trimless warm dim 4x LED GE	250	-	-	-	-	-	-	-	-
Qbini fix/adjustable/asy warm dim 1x LED GE	250	-	-	-	-	-	-	-	-
Qbini fix/adjustable/asy warm dim 2x LED GE	250	-	-	-	-	-	-	-	-
Qbini fix/adjustable/asy warm dim 3x LED GE	250	-	-	-	-	-	-	-	-
Qbini fix/adjustable/asy warm dim 4x LED GE	250	-	-	-	-	-	-	-	-

12407130		12407730		12408030		12405430		12408230	
1-10V		1-10V/PUSH		1-10V/PUSH		1-10V/PUSH		1-10V/PUSH	
146,5x44x30		110,4x52x22		110,4x52x22		103x67x21		103x67x21	
54		55		55		72		72	
1		1		1		1		1	
50		50		50		50		50	
min	max	min	max	min	max	min	max	min	max
1	1	1	1	1	1	1	1	1	1
1	1	1	1	1	1	1	1	1	1
1	1	1	1	1	1	-	-	1	1
1	1	1	1	1	1	1	1	1	1
1	1	1	1	1	1	1	1	1	1
1/2	1/2	1/2	1/2	1/2	1/2	1/2	1/2	1/2	1/2
1	1	1	1	1	1	-	-	1	1
1/2	1/2	1/2	1/2	1/2	1/2	-	-	1/2	1/2
1	2	1	2	1	2	1	2	1	2
1	2	1	2	1	2	1	2	1	2
1/2	1	1/2	1	1/2	1	1/2	1	1/2	1
1/2	1	1/2	1	1/2	1	1/2	1	1/2	1
1/3	1/2	1/3	1/2	1/3	1/2	1/3	1/2	1/3	1/2
1/3	1/2	1/3	1/2	1/3	1/2	1/3	1/2	1/3	1/2
1/4	1/2	1/4	1/2	1/4	1/2	1/4	1/2	1/4	1/2
1/4	1/2	1/4	1/2	1/4	1/2	1/4	1/2	1/4	1/2
1	3	1	2	1	2	1	2	1	2
1	2	1	2	1	2	1	2	1	2
1	3	1	2	1	2	1	2	1	2
1	2	1	2	1	2	1	2	1	2
1	2	1	2	1	2	1	2	1	2
1	2	1	2	1	2	1	2	1	2
1	2	1	2	1	2	1	2	1	2
1	2	1	2	1	2	1	2	1	2
1	2	1	2	1	2	1	2	1	2
1	1	1	1	1	1	1	1	1	1
1	1	-	-	-	-	1	1	1	1
1/2	1/2	1/2	1/2	1/2	1/2	1/2	1/2	1/2	1/2
1/2	1/2	1/2	1/2	1/2	1/2	1/2	1/2	1/2	1/2
1/2	1/2	-	-	-	-	1/2	1/2	1/2	1/2
1/4	1/4	1/4	1/4	1/4	1/4	1/4	1/4	1/4	1/4
1/4	1/4	1/4	1/4	1/4	1/4	1/4	1/4	1/4	1/4
1/4	1/4	-	-	-	-	1/4	1/4	1/4	1/4
1	1	1	1	1	1	1	1	1	1
-	-	-	-	-	-	-	-	-	-
1	2	1	2	1	2	1	2	1	2
2	5	2	5	2	5	2	5	2	5
2	5	1	4	1	4	1	5	1	5
1	5	1	2	1	2	1	4	1	4
1	2	1	2	1	2	-	-	1	2
2	5	2	5	2	5	2	5	2	5
2	5	1	4	1	4	1	5	1	5
1	2	1	2	1	2	1	2	1	2
1	2	1/2	2	1/2	2	1/2	2	1/2	2
1/2	1	1/2	1	1/2	1	1/2	1	1/2	1
1/2	1	1/3	1	1/3	1	1/3	1	1/3	1
1/2	1	1/2	1	1/2	1	1/2	1	1/2	1
1/2	1	1/4	1	1/4	1	1/4	1	1/4	1
2	5	2	5	2	5	2	5	2	5
2	5	1	4	1	4	1	5	1	5
1	2	1	2	1	2	1	2	1	2
1	2	1	2	1/2	2	1/2	2	1/2	2
1/2	1	1/2	1	1/2	1	1/2	1	1/2	1
1/2	1	1/3	1	1/3	1	1/3	1	1/3	1
1/2	1	1/2	1	1/2	1	1/2	1	1/2	1
1/2	1	1/2	1	1/2	1	1/2	1	1/2	1
1/2	1	1/4	1	1/4	1	1/4	1	1/4	1
-	-	2	3	2	3	-	-	1	3
-	-	1	1	1	1	-	-	1/2	1
-	-	1/2	1	1/2	1	-	-	1/3	1
-	-	1/2	1/2	1/2	1/2	-	-	1/4	1/2
-	-	2	3	2	3	-	-	1	3
-	-	1	1	1	1	-	-	1/2	1
-	-	1/2	1	1/2	1	-	-	1/3	1
-	-	1/2	1	1/2	1	-	-	1/3	1
-	-	1/2	1/2	1/2	1/2	-	-	1/4	1/2

Driver matrix - 1-10V dimmable (1)

(number of products allowed per driver)

1-10V MIN. CUTOUT HOLE Ø40/54/55/72 MM		12409130		11630330		11630430		11630530	
Dimensions (LxWxH)		1-10V		1-10V hybrid deepdim		1-10V hybrid deepdim		1-10V hybrid deepdim	
		135x30x20		160x41.5x30.5		160x41.5x30.5		160x41.5x30.5	
min. cutout hole		40		54		54		54	
*Number of LED output channels		1		1		1		1	
Max drivers on MCB 16A type B		100		106		106		106	
FIXTURE	mA	min	max	min	max	min	max	min	max
Obini general 2X LED GE	350	1	1	1	3	-	-	-	-
	500	1	1	-	-	1	3	-	-
Obini general 4X LED GE	350	1/2	1/2	1/2	1	-	-	-	-
	500	1/2	1/2	-	-	1/2	1	-	-
Rektor recessed LED GE	350	-	-	1	1	-	-	-	-
	500	-	-	-	-	1	1	-	-
Rektor recessed warm dim LED GE	350	-	-	1	1	-	-	-	-
Scotty 270 adjustable LED GE	350	-	-	1	1	-	-	-	-
Scotty 270 LED GE	350	-	-	1	1	-	-	-	-
	500	-	-	-	-	1	1	-	-
Shelby 176 trimless LED GE	350	1	1	1	2	-	-	-	-
	500	1	1	-	-	1	2	-	-
	700	-	-	-	-	-	-	1	1
Shelby 176 trimless warm dim LED GE	350	-	-	1	1	-	-	-	-
	500	1	1	1	2	-	-	-	-
Shelby 184 LED GE	500	1	1	-	-	1	2	-	-
	700	-	-	-	-	-	-	1	1
Shelby 184 warm dim LED GE	350	-	-	1	1	-	-	-	-
Slide IP54 LED GE	350	1	1	1	2	-	-	-	-
	500	1	1	-	-	1	2	-	-
Smart Cake / Kup / Lotis / (asy) 48 (IP54) LED GE	350	4	8	1	13	-	-	-	-
	500	4	8	-	-	1	13	-	-
Smart Cake / Kup / Lotis / (asy) 48 warm dim (IP55) LED GE	250	-	-	-	-	-	-	-	-
	350	2	2	1	4	-	2	-	-
Smart Cake / Kup / Lotis /+ (asy) 48 (IP54) LED GE	350	2	2	-	-	1	4	-	-
	500	2	2	-	-	1	4	-	-
Smart Cake / Kup / Lotis 82 (adjustable) warm dim LED GE (IP54)	350	-	-	1	2	-	-	-	-
	350	1	1	1	2	-	-	-	-
Smart Cake / Kup / Lotis 82 (IP54) LED GE	500	1	1	-	-	1	2	-	-
	700	-	-	-	-	-	-	1	1
Smart Cake / Kup / Lotis 82 adjustable LED GE	350	1	1	1	2	-	-	-	-
	500	1	1	-	-	1	2	-	-
Smart Cake / Kup / Lotis 115 adjustable LED GE	350	1	1	1	2	-	-	-	-
	500	1	1	-	-	1	2	-	-
	700	-	-	-	-	-	-	1	1
Smart Cake / Kup / Lotis 115 adjustable warm dim LED GE	350	-	-	1	1	-	-	-	-
	350	-	-	1	1	-	-	-	-
	500	-	-	-	-	1	1	-	-
Smart Cake / Kup / Lotis 115 (diffuse) (IP54) LED GE	500	-	-	-	-	1	1	-	-
	700	-	-	-	-	-	-	-	-
	900	-	-	-	-	-	-	-	-
	1050	-	-	-	-	-	-	-	-
Smart Cake/ Kup / Lotis 160 (diffuse) (IP54) LED GE	1200	-	-	-	-	-	-	-	-
	1400	-	-	-	-	-	-	-	-
	350	-	-	1	1	-	-	-	-
	500	-	-	-	-	1	1	-	-
Stove LED GE	350	1	1	1	2	-	-	-	-
	500	1	1	-	-	1	2	-	-
Thimble 70 trimless (adjustable) LED GE	350	1	1	1	2	-	-	-	-
	500	1	1	-	-	1	2	-	-
Thimble 74 (adjustable) LED GE	350	1	1	-	-	1	2	-	-
	500	1	1	-	-	1	2	-	-
Wink 82 LED GE	350	1	1	1	2	-	-	-	-
	500	1	1	-	-	1	2	-	-
Wink 115 LED GE	350	-	-	1	1	-	-	-	-
	500	-	-	-	-	1	1	-	-
	700	-	-	-	-	-	-	-	-

12407130		12407730		12408030		12405430		12408230	
1-10V		1-10V/PUSH		1-10V/PUSH		1-10V/PUSH		1-10V/PUSH	
146,5x44x30		110,4x52x22		110,4x52x22		103x67x21		103x67x21	
54		55		55		72		72	
1		1		1		1		1	
50		50		50		50		50	
min	max	min	max	min	max	min	max	min	max
1	4	2	4	2	4	1	4	1	4
1	4	1	3	1	3	1	4	1	4
1/2	2	1	2	1	2	1/2	2	1/2	2
1/2	2	1/2	1	1/2	1	1/2	2	1/2	2
1	1	1	1	1	1	1	1	1	1
1	1	1	1	1	1	1	1	1	1
1	1	1	1	1	1	-	-	1	1
1	1	1	1	1	1	1	1	1	1
1	1	1	1	1	1	1	1	1	1
1	1	1	1	1	1	1	1	1	1
1	3	1	2	1	2	1	2	1	2
1	2	1	2	1	2	1	2	1	2
1	2	1	1	1	1	1	2	1	2
1	1	1	1	1	1	-	-	1	1
1	3	1	2	1	2	1	2	1	2
1	2	1	2	1	2	1	2	1	2
1	2	1	1	1	1	1	2	1	2
1	1	1	1	1	1	-	-	1	1
1	2	1	2	1	2	1	2	1	2
1	2	1	1	1	1	1	2	1	2
4	17	5	16	5	16	4	17	4	17
4	18	2	13	2	13	1	16	1	16
-	-	2	3	2	3	-	-	1	3
2	5	2	5	2	5	2	5	2	5
2	5	1	4	1	4	1	5	1	5
1	2	1	2	1	2	-	-	1	2
1	2	1	2	1	2	1	2	1	2
1	2	1	2	1	2	1	2	1	2
1	2	1	1	1	1	1	2	1	2
1	2	1	2	1	2	1	2	1	2
1	2	1	2	1	2	1	2	1	2
1	2	1	2	1	2	1	2	1	2
1	2	1	2	1	2	1	2	1	2
1	2	1	1	1	1	-	-	1	1
1	1	1	1	1	1	1	1	1	1
1	1	1	1	1	1	1	1	1	1
1	1	-	-	-	-	1	1	1	1
1	1	-	-	-	-	-	-	-	-
-	-	-	-	-	-	-	-	-	-
-	-	-	-	-	-	-	-	-	-
-	-	-	-	-	-	-	-	-	-
1	1	1	1	1	1	1	1	1	1
1	1	1	1	1	1	1	1	1	1
1	3	1	2	1	2	1	2	1	2
1	2	1	2	1	2	1	2	1	2
1	3	1	2	1	2	1	2	1	2
1	2	1	2	1	2	1	2	1	2
1	2	1	2	1	2	1	2	1	2
1	2	1	2	1	2	1	2	1	2
1	1	1	1	1	1	1	1	1	1
1	1	1	1	1	1	1	1	1	1
1	1	-	-	-	-	1	1	1	1

Driver matrix - 1-10V dimmable (2)

(number of products allowed per driver)

1-10V MIN. CUTOUT HOLE Ø84/85/88/90 MM		11630930		11631030		11631130		12407830		12408330	
Dimensions (LxWxH)		1-10V hybrid deepdim		1-10V hybrid deepdim		1-10V hybrid deepdim		DALI/1-10V/PUSH		DALI/1-10V/PUSH	
		153x76.2x30.1		153x76.2x30.1		153x76.2x30.1		124x79x22		124x79x22	
min. cutout hole		84		84		84		84		84	
*Number of LED output channels		2		2		2		1		1	
Max drivers on MCB 16A type B		22		22		22		30		30	
FIXTURE	mA	min	max	min	max	min	max	min	max	min	max
Chapeau 206 LED GE	350	1	1	-	-	-	-	1	3	1	3
	500	-	-	1	1	-	-	1	3	1	3
Dent large LED GE	350	1	1	-	-	-	-	1	2	1	2
Dent medium LED GE	350	1	1	-	-	-	-	1	2	1	2
Dent small LED GE	350	1	2	-	-	-	-	1	4	1	4
Duell recessed 1x LED GE	350	1	2	-	-	-	-	2	5	2	5
	500	-	-	1	2	-	-	1	5	1	5
Duell recessed 2x LED GE	350	1/2	1	-	-	-	-	1	2	1	2
	500	-	-	1/2	1	-	-	1/2	2	1/2	2
Hipy 110 IP67 LED GE	350	1	2	-	-	-	-	2	5	2	5
	500	-	-	1	2	-	-	1	5	1	5
Hipy 70 IP67 LED GE	350	1	2	-	-	-	-	1	4	1	4
	700	-	-	-	-	1	2	1	4	1	4
Hollow 115 trimless LED GE	350	1	5	-	-	-	-	3	11	3	11
	500	1	3	-	-	-	-	2	6	2	6
Hollow 125 LED GE	350	1	3	-	-	-	-	2	6	2	6
	500	-	-	1	2	-	-	1	6	1	6
Julien IP54 LED GE	350	1	4	-	-	-	-	2	8	2	8
	500	1	1	-	-	-	-	1	3	1	3
K120 adjustable LED GE	350	1	2	-	-	-	-	1	3	1	3
	500	-	-	1	1	-	-	1	3	1	3
K72 IP54 LED GE	350	1	2	-	-	-	-	1	2	1	2
	500	-	-	1	2	-	-	1	5	1	5
K77 adjustable LED GE	350	1	2	-	-	-	-	2	5	2	5
	500	-	-	1	2	-	-	1	5	1	5
Kurk IP40 LED GE	350	1	2	-	-	-	-	1	5	1	5
	500	-	-	1	2	-	-	1	5	1	5
Kurk surface IP40 GE	350	1	2	-	-	-	-	1	4	1	4
	500	-	-	1	2	-	-	1	5	1	5
Lotis 82 (concrete) LED GE	350	1	2	-	-	-	-	1	4	1	4
	500	-	-	1	2	-	-	1	5	1	5
Lotis 86 IP55 LED GE	350	1	2	-	-	-	-	2	5	2	5
	500	-	-	1	2	-	-	1	5	1	5
Lotis 97 (concrete) adjustable LED GE	350	1	2	-	-	-	-	2	5	2	5
	500	-	-	1	2	-	-	1	5	1	5
Lotis square (IP55) LED GE	350	1	2	-	-	-	-	2	5	2	5
	500	-	-	1	2	-	-	1	5	1	5
Marbul recessed 1x LED GE	350	1	2	-	-	-	-	2	5	2	5
	500	-	-	1	2	-	-	1	5	1	5
Marbul recessed 2x LED GE	350	1/2	1	-	-	-	-	1	2	1	2
	500	-	-	1/2	1	-	-	1/2	2	1/2	2
Marbul recessed warm dim 1x LED GE	350	1	1	-	-	-	-	1	3	1	3
	350	1/2	1/2	-	-	-	-	1/2	1	1/2	1
Marbul suspension (adjustable) LED GE	350	1	2	-	-	-	-	2	5	2	5
	500	-	-	1	2	-	-	1	5	1	5
Marbul suspension (adjustable) warm dim LED GE	350	1	1	-	-	-	-	1	3	1	3
	350	1	1	-	-	-	-	1	3	1	3
Marcel 1x LED GE	350	1	1	-	-	-	-	1	3	1	3
	500	-	-	1	1	-	-	1	3	1	3
	700	-	-	-	-	1	1	1	2	1	2
Marcel 2x LED GE	350	1/2	1/2	-	-	-	-	1/2	1	1/2	1
	500	-	-	1/2	1/2	-	-	1/2	1	1/2	1
	700	-	-	-	-	1/2	1/2	1/2	1	1/2	1
Marcel 3x LED GE	350	1/3	1/3	-	-	-	-	1/3	1	1/3	1
	500	-	-	1/3	1/3	-	-	1/3	1	1/3	1
	700	-	-	-	-	1/3	1/3	1/3	1/2	1/3	1/2
Médard 42 recessed LED GE	350	1	5	-	-	-	-	3	11	3	11
	500	-	-	1	5	-	-	1	11	1	11
Médard 42 recessed warm dim LED GE	350	1	2	-	-	-	-	2	6	2	6
	350	1	3	-	-	-	-	2	6	2	6
Médard 42 semi-recessed LED GE	500	-	-	1	2	-	-	1	6	1	6
	700	-	-	-	-	1	2	1	4	1	4
Médard 42 semi-recessed warm dim LED GE	350	1	2	-	-	-	-	2	6	2	6
	350	1	2	-	-	-	-	2	5	2	5
Médard 70 recessed LED GE	500	-	-	1	2	-	-	1	5	1	5
	700	-	-	-	-	1	2	1	4	1	4
Médard 70 recessed warm dim LED GE	350	1	1	-	-	-	-	1	3	1	3

12404530		12406530		12406630		12406730		12406830		12404730		12404030	
DALI/1-10V/PUSH		DALI/1-10V/PUSH		1-10V/PUSH		1-10V/PUSH		DALI/1-10V/PUSH		DALI/1-10V/PUSH		DALI/1-10V/PUSH	
124x79x22		124x79x22		124x79x22		124x79x22		124x79x22		169x83x35		129x79x30	
85		85		85		85		85		88		90	
1		1		1		1		1		1		1	
15		30		15		15		30		15		15	
min	max	min	max	min	max	min	max	min	max	min	max	min	max
1	3	1	2	1	2	1	2	1	2	1	2	-	-
1	2	1	2	1	2	1	2	1	2	1	2	-	-
1	2	1	1	1	1	1	1	1	1	1	1	-	-
1	2	1	1	1	1	1	1	1	1	1	1	-	-
1	4	1	3	1	3	1	3	1	3	1	3	-	-
1	5	1	3	1	3	1	3	1	3	1	3	-	-
1	5	1	3	1	3	1	3	1	3	1	3	-	-
1/2	2	1/2	1	1/2	1	1/2	1	1/2	1	1/2	1	-	-
1/2	2	1/2	1	1/2	1	1/2	1	1/2	1	1/2	1	-	-
1	5	1	3	1	3	1	3	1	3	1	3	-	-
1	5	1	3	1	3	1	3	1	3	1	3	-	-
1	3	1	3	1	3	1	3	1	3	1	3	-	-
1	11	1	7	1	7	1	7	1	7	1	7	-	-
1	6	1	4	1	4	1	4	1	4	1	3	-	-
1	5	1	3	1	3	1	3	1	3	1	3	-	-
1	6	1	4	1	4	1	4	1	4	1	3	-	-
1	5	1	3	1	3	1	3	1	3	1	3	-	-
1	8	1	5	1	5	1	5	1	5	1	5	-	-
1	3	1	2	1	2	1	2	1	2	1	1	-	-
1	2	1	1	1	1	1	1	1	1	1	1	-	-
1	1	1	1	1	1	1	1	1	1	1	1	-	-
1	5	1	3	1	3	1	3	1	3	1	3	-	-
1	5	1	3	1	3	1	3	1	3	1	3	-	-
1	5	1	3	1	3	1	3	1	3	1	3	-	-
1	5	1	3	1	3	1	3	1	3	1	3	-	-
1	5	1	3	1	3	1	3	1	3	1	3	-	-
1	4	1	3	1	3	1	3	1	3	1	3	-	-
1	3	1	3	1	3	1	3	1	3	1	3	-	-
1	5	1	3	1	3	1	3	1	3	1	3	-	-
1	4	1	3	1	3	1	3	1	3	1	3	-	-
1	3	1	3	1	3	1	3	1	3	1	3	-	-
1	5	1	3	1	3	1	3	1	3	1	3	-	-
1	5	1	3	1	3	1	3	1	3	1	3	-	-
1	5	1	3	1	3	1	3	1	3	1	3	-	-
1	5	1	3	1	3	1	3	1	3	1	3	-	-
1	5	1	3	1	3	1	3	1	3	1	3	-	-
1	5	1	3	1	3	1	3	1	3	1	3	-	-
1	5	1	3	1	3	1	3	1	3	1	3	-	-
1	5	1	3	1	3	1	3	1	3	1	3	-	-
1	5	1	3	1	3	1	3	1	3	1	3	-	-
1	5	1	3	1	3	1	3	1	3	1	3	-	-
1/2	2	1/2	1	1/2	1	1/2	1	1/2	1	1/2	1	-	-
1/2	2	1/2	1	1/2	1	1/2	1	1/2	1	1/2	1	-	-
-	-	1	1	1	1	1	1	1	1	-	-	-	-
-	-	1/2	1/2	1/2	1/2	1/2	1/2	1/2	1/2	-	-	-	-
1	5	1	3	1	3	1	3	1	3	1	3	-	-
1	5	1	3	1	3	1	3	1	3	1	3	-	-
-	-	1	1	1	1	1	1	1	1	-	-	-	-
-	-	1	1	1	1	1	1	1	1	-	-	-	-
1	3	1	2	1	2	1	2	1	2	1	1	-	-
1	2	1	1	1	1	1	1	1	1	1	1	-	-
1	1	1	1	1	1	1	1	1	1	1	1	-	-
1/2	1	1/2	1	1/2	1	1/2	1	1/2	1	1/2	1/2	-	-
1/2	1	1/2	1/2	1/2	1/2	1/2	1/2	1/2	1/2	1/2	1/2	-	-
1/2	1/2	1/2	1/2	1/2	1/2	1/2	1/2	1/2	1/2	1/2	1/2	-	-
1/3	1	1/3	1/2	1/3	1/2	1/3	1/2	1/3	1/2	1/3	1/3	-	-
1/3	1/2	1/3	1/3	1/3	1/3	1/3	1/3	1/3	1/3	1/3	1/3	-	-
1/3	1/3	1/3	1/3	1/3	1/3	1/3	1/3	1/3	1/3	1/3	1/3	-	-
1	11	1	7	1	7	1	7	1	7	1	7	-	-
1	10	1	7	1	7	1	7	1	7	1	7	-	-
-	-	1	3	1	3	1	3	1	3	-	-	-	-
1	6	1	4	1	4	1	4	1	4	1	3	-	-
1	5	1	3	1	3	1	3	1	3	1	3	-	-
1	3	1	3	1	3	1	3	1	3	1	3	-	-
-	-	1	3	1	3	1	3	1	3	-	-	-	-
1	5	1	3	1	3	1	3	1	3	1	3	-	-
1	5	1	3	1	3	1	3	1	3	1	3	-	-
1	3	1	3	1	3	1	3	1	3	1	3	-	-
-	-	1	1	1	1	1	1	1	1	-	-	-	-

Driver matrix - 1-10V dimmable (2)

(number of products allowed per driver)

1-10V MIN. CUTOUT HOLE Ø84/85/88/90 MM		11630930			11631030		11631130		12407830		12408330	
Dimensions (LxWxH)		1-10V hybrid deepdim			1-10V hybrid deepdim		1-10V hybrid deepdim		DALI/1-10V/PUSH		DALI/1-10V/PUSH	
		153x76.2x30.1			153x76.2x30.1		153x76.2x30.1		124x79x22		124x79x22	
min. cutout hole		84			84		84		84		84	
*Number of LED output channels		2			2		2		1		1	
Max drivers on MCB 16A type B		22			22		22		30		30	
FIXTURE	mA	min	max	min	max	min	max	min	max	min	max	
Médard 70 semi-recessed LED GE	350	1	1	-	-	-	-	1	3	1	3	
	500	-	-	1	1	-	-	1	3	1	3	
Médard 70 semi-recessed warm dim LED GE	350	1	1	-	-	-	-	1	3	1	3	
	350	1	1	-	-	-	-	1	3	1	3	
Médard 70 stretched semi-recessed 1X LED GE	350	1	1	-	-	-	-	1	3	1	3	
	500	-	-	1	1	-	-	1	3	1	3	
Médard 70 stretched semi-recessed 2X LED GE	350	1/2	1/2	-	-	-	-	1/2	1	1/2	1	
	500	-	-	1/2	1/2	-	-	1/2	1	1/2	1	
Médard 70 stretched semi-recessed warm dim 1X LED GE	350	1	1	-	-	-	-	1	3	1	3	
	350	1/2	1/2	-	-	-	-	1/2	1	1/2	1	
Médiard 70 stretched semi-recessed warm dim 2X LED GE	350	1	2	-	-	-	-	2	5	2	5	
	500	-	-	1	2	-	-	1	5	1	5	
Mini-multiple 1x LED GE	350	1/2	1	-	-	-	-	1	2	1	2	
	500	-	-	1/2	1	-	-	1/2	2	1/2	2	
Mini-multiple 2x LED GE	350	1/3	1/2	-	-	-	-	1/2	1	1/2	1	
	500	-	-	1/3	1/2	-	-	1/3	1	1/3	1	
Mini-multiple 3x LED GE	350	1/4	1/2	-	-	-	-	1/2	1	1/2	1	
	500	-	-	1/4	1/2	-	-	1/4	1	1/4	1	
Mini-multiple 4x LED GE	350	1	3	-	-	-	-	2	6	2	6	
	500	-	-	1	2	-	-	1	6	1	6	
Minude 45 ceiling recessed adjustable LED GE	350	1	3	-	-	-	-	2	6	2	6	
	500	-	-	1	2	-	-	1	6	1	6	
Minude 45 suspension LED GE	350	1	3	-	-	-	-	2	6	2	6	
	500	-	-	1	2	-	-	1	6	1	6	
M-LED 50 GE	350	1	2	-	-	-	-	2	5	2	5	
	500	-	-	1	2	-	-	1	5	1	5	
M-LED 50 warm dim GE	350	1	2	-	-	-	-	2	6	2	6	
	500	-	-	1	2	-	-	1	5	1	5	
M-LED 70 GE	350	1	2	-	-	-	-	2	5	2	5	
	500	-	-	1	2	-	-	1	5	1	5	
M-LED 70 warm dim GE	350	1	2	-	-	-	-	2	6	2	6	
	500	-	-	1	2	-	-	1	3	1	3	
M-LED 111 GE	500	-	-	1	1	-	-	1	3	1	3	
	700	-	-	-	-	1	1	1	2	1	2	
Nomad 111 2x LED GE	350	1/2	1/2	-	-	-	-	1/2	1	1/2	1	
	500	-	-	1/2	1/2	-	-	1/2	1	1/2	1	
Nomad 111 4x LED GE	350	1/4	1/4	-	-	-	-	1/4	1/2	1/4	1/2	
	500	-	-	1/4	1/4	-	-	1/4	1/2	1/4	1/2	
Nomad 2xLED AR 111	500	-	-	1	1	-	-	1	3	1	3	
	1050	-	-	-	-	-	-	-	-	-	-	
Placebo up/down LED GE	350	1	3	-	-	-	-	2	6	2	6	
	500	1	5	-	-	-	-	3	11	3	11	
Pupil LED GE	500	-	-	1	5	-	-	1	11	1	11	
	700	-	-	-	-	1	5	1	8	1	8	
Pupil warm dim LED GE	350	1	2	-	-	-	-	2	6	2	6	
	500	1	5	-	-	-	-	3	11	3	11	
Obini fix/adjustable/asy 1x LED GE	500	-	-	1	5	-	-	1	11	1	11	
	350	1/2	2	-	-	-	-	1	5	1	5	
Obini fix/adjustable/asy 2x LED GE	500	-	-	1/2	2	-	-	1/2	5	1/2	5	
	350	1/3	1	-	-	-	-	1	3	1	3	
Obini fix/adjustable/asy 3x LED GE	500	-	-	1/3	1	-	-	1/3	3	1/3	3	
	350	1/4	1	-	-	-	-	1/2	2	1/2	2	
Obini fix/adjustable/asy 4x LED GE	500	-	-	1/4	1	-	-	1/4	2	1/4	2	
	350	1	5	-	-	-	-	3	11	3	11	
Obini fix/adjustable/asy trimless 1x LED GE	500	-	-	1	5	-	-	1	11	1	11	
	350	1/2	2	-	-	-	-	1	5	1	5	
Obini fix/adjustable/asy trimless 2x LED GE	500	-	-	1/2	2	-	-	1/2	5	1/2	5	
	350	1/3	1	-	-	-	-	1	3	1	3	
Obini fix/adjustable/asy trimless 3x LED GE	500	-	-	1/3	1	-	-	1/3	3	1/3	3	
	350	1/4	1	-	-	-	-	1/2	2	1/2	2	
Obini fix/adjustable/asy trimless 4x LED GE	500	-	-	1/4	1	-	-	1/4	2	1/4	2	
	250	-	-	-	-	-	-	2	6	2	6	
Obini fix/adjustable/asy trimless warm dim 1x LED GE	250	-	-	-	-	-	-	1	3	1	3	
	250	-	-	-	-	-	-	1/2	2	1/2	2	
Obini fix/adjustable/asy trimless warm dim 2x LED GE	250	-	-	-	-	-	-	1/2	1	1/2	1	
	250	-	-	-	-	-	-	2	6	2	6	
Obini fix/adjustable/asy warm dim 1x LED GE	250	-	-	-	-	-	-	1	3	1	3	
	250	-	-	-	-	-	-	1/2	2	1/2	2	
Obini fix/adjustable/asy warm dim 2x LED GE	250	-	-	-	-	-	-	1/2	1	1/2	1	
	250	-	-	-	-	-	-	1/2	1	1/2	1	

12404530		12406530		12406630		12406730		12406830		12404730		12404030	
DALI/1-10V/PUSH		DALI/1-10V/PUSH		1-10V/PUSH		1-10V/PUSH		DALI/1-10V/PUSH		DALI/1-10V/PUSH		DALI/1-10V/PUSH	
124x79x22		124x79x22		124x79x22		124x79x22		124x79x22		169x83x35		129x79x30	
85		85		85		85		85		88		90	
1		1		1		1		1		1		1	
15		30		15		15		30		15		15	
min	max	min	max	min	max	min	max	min	max	min	max	min	max
1	3	1	2	1	2	1	2	1	2	1	2	-	-
1	2	1	2	1	2	1	2	1	2	1	2	-	-
-	-	1	1	1	1	1	1	1	1	-	-	-	-
1	3	1	2	1	2	1	2	1	2	1	2	-	-
1	2	1	2	1	2	1	2	1	2	1	2	-	-
1/2	1	1/2	1	1/2	1	1/2	1	1/2	1	1/2	1	-	-
1/2	1	1/2	1	1/2	1	1/2	1	1/2	1	1/2	1	-	-
-	-	1	1	1	1	1	1	1	1	-	-	-	-
-	-	1/2	1/2	1/2	1/2	1/2	1/2	1/2	1/2	-	-	-	-
1	5	1	3	1	3	1	3	1	3	1	3	-	-
1	5	1	3	1	3	1	3	1	3	1	3	-	-
1/2	2	1/2	1	1/2	1	1/2	1	1/2	1	1/2	1	-	-
1/2	2	1/2	1	1/2	1	1/2	1	1/2	1	1/2	1	-	-
1/3	1	1/3	1	1/3	1	1/3	1	1/3	1	1/3	1	-	-
1/3	1	1/3	1	1/3	1	1/3	1	1/3	1	1/3	1	-	-
1/4	1	1/4	1/2	1/4	1/2	1/4	1/2	1/4	1/2	1/4	1/2	-	-
1/4	1	1/4	1/2	1/4	1/2	1/4	1/2	1/4	1/2	1/4	1/2	-	-
1	6	1	4	1	4	1	4	1	4	1	3	-	-
1	5	1	3	1	3	1	3	1	3	1	3	-	-
1	6	1	4	1	4	1	4	1	4	1	3	-	-
1	5	1	3	1	3	1	3	1	3	1	3	-	-
1	5	1	3	1	3	1	3	1	3	1	3	-	-
1	5	1	3	1	3	1	3	1	3	1	3	-	-
-	-	1	3	1	3	1	3	1	3	-	-	-	-
1	5	1	3	1	3	1	3	1	3	1	3	-	-
1	5	1	3	1	3	1	3	1	3	1	3	-	-
-	-	1	3	1	3	1	3	1	3	-	-	-	-
1	3	1	2	1	2	1	2	1	2	1	2	-	-
1	2	1	2	1	2	1	2	1	2	1	2	-	-
1	1	1	1	1	1	1	1	1	1	1	1	-	-
1/2	1	1/2	1	1/2	1	1/2	1	1/2	1	1/2	1	-	-
1/2	1	1/2	1	1/2	1	1/2	1	1/2	1	1/2	1	-	-
1/4	1/2	1/4	1/2	1/4	1/2	1/4	1/2	1/4	1/2	1/4	1/2	-	-
1/4	1/2	1/4	1/2	1/4	1/2	1/4	1/2	1/4	1/2	1/4	1/2	-	-
1/4	1/4	1/4	1/4	1/4	1/4	1/4	1/4	1/4	1/4	1/4	1/4	-	-
1	2	1	1	1	1	1	1	1	1	1	1	-	-
-	-	1	1	1	1	1	1	1	1	1	1	1	1
1	6	1	3	1	3	1	3	1	3	1	3	-	-
1	11	1	7	1	7	1	7	1	7	1	7	-	-
1	10	1	7	1	7	1	7	1	7	1	7	-	-
1	6	1	7	1	7	1	7	1	7	1	6	-	-
-	-	1	3	1	3	1	3	1	3	-	-	-	-
1	11	1	7	1	7	1	7	1	7	1	7	-	-
1	10	1	7	1	7	1	7	1	7	1	7	-	-
1/2	5	1/2	3	1/2	3	1/2	3	1/2	3	1/2	3	-	-
1/2	5	1/2	3	1/2	3	1/2	3	1/2	3	1/2	3	-	-
1/3	3	1/3	2	1/3	2	1/3	2	1/3	2	1/3	2	-	-
1/3	3	1/3	2	1/3	2	1/3	2	1/3	2	1/3	2	-	-
1/4	2	1/4	1	1/4	1	1/4	1	1/4	1	1/4	1	-	-
1/4	2	1/4	1	1/4	1	1/4	1	1/4	1	1/4	1	-	-
1	11	1	7	1	7	1	7	1	7	1	7	-	-
1	10	1	7	1	7	1	7	1	7	1	7	-	-
1/2	5	1/2	3	1/2	3	1/2	3	1/2	3	1/2	3	-	-
1/2	5	1/2	3	1/2	3	1/2	3	1/2	3	1/2	3	-	-
1/3	3	1/3	2	1/3	2	1/3	2	1/3	2	1/3	2	-	-
1/3	3	1/3	2	1/3	2	1/3	2	1/3	2	1/3	2	-	-
1/4	2	1/4	1	1/4	1	1/4	1	1/4	1	1/4	1	-	-
1/4	2	1/4	1	1/4	1	1/4	1	1/4	1	1/4	1	-	-
-	-	-	-	-	-	-	-	-	-	-	-	-	-
-	-	-	-	-	-	-	-	-	-	-	-	-	-
-	-	-	-	-	-	-	-	-	-	-	-	-	-
-	-	-	-	-	-	-	-	-	-	-	-	-	-
-	-	-	-	-	-	-	-	-	-	-	-	-	-
-	-	-	-	-	-	-	-	-	-	-	-	-	-
-	-	-	-	-	-	-	-	-	-	-	-	-	-
-	-	-	-	-	-	-	-	-	-	-	-	-	-
-	-	-	-	-	-	-	-	-	-	-	-	-	-
-	-	-	-	-	-	-	-	-	-	-	-	-	-
-	-	-	-	-	-	-	-	-	-	-	-	-	-
-	-	-	-	-	-	-	-	-	-	-	-	-	-
-	-	-	-	-	-	-	-	-	-	-	-	-	-
-	-	-	-	-	-	-	-	-	-	-	-	-	-
-	-	-	-	-	-	-	-	-	-	-	-	-	-
-	-	-	-	-	-	-	-	-	-	-	-	-	-
-	-	-	-	-	-	-	-	-	-	-	-	-	-
-	-	-	-	-	-	-	-	-	-	-	-	-	-

Driver matrix - 1-10V dimmable (2)

(number of products allowed per driver)

1-10V MIN. CUTOUT HOLE Ø84/85/88/90 MM		11630930		11631030		11631130		12407830		12408330	
Dimensions (LxWxH)		1-10V hybrid deepdim		1-10V hybrid deepdim		1-10V hybrid deepdim		DALI/1-10V/PUSH		DALI/1-10V/PUSH	
		153x76.2x30.1		153x76.2x30.1		153x76.2x30.1		124x79x22		124x79x22	
min. cutout hole		84		84		84		84		84	
*Number of LED output channels		2		2		2		1		1	
Max drivers on MCB 16A type B		22		22		22		30		30	
FIXTURE	mA	min	max	min	max	min	max	min	max	min	max
Obini general 2X LED GE	350	1	4	-	-	-	-	2	9	2	9
	500	-	-	1	4	-	-	1	9	1	9
Obini general 4X LED GE	350	1/2	2	-	-	-	-	1	4	1	4
	500	-	-	1/2	2	-	-	1/2	4	1/2	4
Rektor recessed LED GE	350	1	1	-	-	-	-	1	3	1	3
	500	-	-	1	1	-	-	1	3	1	3
Rektor recessed warm dim LED GE	350	1	1	-	-	-	-	1	3	1	3
Scotty 270 adjustable LED GE	350	1	1	-	-	-	-	1	3	1	3
Scotty 270 LED GE	350	1	1	-	-	-	-	1	3	1	3
	500	-	-	1	1	-	-	1	3	1	3
Shelby 176 trimless LED GE	350	1	3	-	-	-	-	2	6	2	6
	500	-	-	1	2	-	-	1	6	1	6
	700	-	-	-	-	1	2	1	4	1	4
Shelby 176 trimless warm dim LED GE	350	1	1	-	-	-	-	1	3	1	3
	500	1	3	-	-	-	-	2	6	2	6
Shelby 184 LED GE	500	-	-	1	2	-	-	1	6	1	6
	700	-	-	-	-	1	2	1	4	1	4
Shelby 184 warm dim LED GE	350	1	1	-	-	-	-	1	3	1	3
Slide IP54 LED GE	350	1	2	-	-	-	-	2	5	2	5
	500	-	-	1	2	-	-	1	5	1	5
Smart Cake / Kup / Lotis / (asy) 48 (IP54) LED GE	350	1	18	-	-	-	-	7	37	7	37
	500	-	-	1	18	-	-	2	37	2	37
Smart Cake / Kup / Lotis / (asy) 48 warm dim (IP55) LED GE	250	-	-	-	-	-	-	2	6	2	6
Smart Cake / Kup / Lotis /+ (asy) 48 (IP54) LED GE	350	1	5	-	-	-	-	3	11	3	11
	500	-	-	1	5	-	-	1	11	1	11
Smart Cake / Kup / Lotis 82 (adjustable) warm dim LED GE (IP54)	350	1	2	-	-	-	-	2	6	2	6
	350	1	2	-	-	-	-	2	5	2	5
Smart Cake / Kup / Lotis 82 (IP54) LED GE	500	-	-	1	2	-	-	1	5	1	5
	700	-	-	-	-	1	2	1	4	1	4
Smart Cake / Kup / Lotis 82 adjustable LED GE	350	1	2	-	-	-	-	2	5	2	5
	500	-	-	1	2	-	-	1	5	1	5
Smart Cake / Kup / Lotis 115 adjustable LED GE	350	1	2	-	-	-	-	2	5	2	5
	500	-	-	1	2	-	-	1	5	1	5
	700	-	-	-	-	1	2	1	4	1	4
Smart Cake / Kup / Lotis 115 adjustable warm dim LED GE	350	1	1	-	-	-	-	1	3	1	3
Smart Cake / Kup / Lotis 115 (diffuse) (IP54) LED GE	350	1	1	-	-	-	-	1	3	1	3
	500	-	-	1	1	-	-	1	3	1	3
	700	-	-	-	-	1	1	1	2	1	2
Smart Cake/ Kup / Lotis 160 (diffuse) (IP54) LED GE	500	-	-	1	1	-	-	1	3	1	3
	700	-	-	-	-	1	1	1	2	1	2
	900	-	-	-	-	-	-	-	-	-	-
	1050	-	-	-	-	-	-	-	-	-	-
	1200	-	-	-	-	-	-	-	-	-	-
Stove LED GE	350	1	1	-	-	-	-	1	3	1	3
	500	-	-	1	1	-	-	1	3	1	3
Thimble 70 trimless (adjustable) LED GE	350	1	3	-	-	-	-	2	6	2	6
	500	-	-	1	2	-	-	1	6	1	6
Thimble 74 (adjustable) LED GE	350	1	3	-	-	-	-	2	6	2	6
	500	-	-	1	2	-	-	1	6	1	6
Wink 82 LED GE	350	1	2	-	-	-	-	2	5	2	5
	500	-	-	1	2	-	-	1	5	1	5
Wink 115 LED GE	350	1	1	-	-	-	-	1	3	1	3
	500	-	-	1	1	-	-	1	3	1	3
	700	-	-	-	-	1	1	1	2	1	2

12404530		12406530		12406630		12406730		12406830		12404730		12404030	
DALI/1-10V/PUSH		DALI/1-10V/PUSH		1-10V/PUSH		1-10V/PUSH		DALI/1-10V/PUSH		DALI/1-10V/PUSH		DALI/1-10V/PUSH	
124x79x22		124x79x22		124x79x22		124x79x22		124x79x22		169x83x35		129x79x30	
85		85		85		85		85		88		90	
1		1		1		1		1		1		1	
15		30		15		15		30		15		15	
min	max	min	max	min	max	min	max	min	max	min	max	min	max
1	9	1	5	1	5	1	5	1	5	1	5	-	-
1	8	1	5	1	5	1	5	1	5	1	5	-	-
1/2	4	1/2	2	1/2	2	1/2	2	1/2	2	1/2	2	-	-
1/2	4	1/2	2	1/2	2	1/2	2	1/2	2	1/2	2	-	-
1	3	1	2	1	2	1	2	1	2	1	2	-	-
1	2	1	2	1	2	1	2	1	2	1	2	-	-
-	-	1	1	1	1	1	1	1	1	-	-	-	-
1	3	1	2	1	2	1	2	1	2	1	2	-	-
1	3	1	2	1	2	1	2	1	2	1	2	-	-
1	2	1	1	1	1	1	1	1	1	1	1	-	-
1	6	1	4	1	4	1	4	1	4	1	3	-	-
1	5	1	3	1	3	1	3	1	3	1	3	-	-
1	3	1	3	1	3	1	3	1	3	1	3	-	-
-	-	1	1	1	1	1	1	1	1	-	-	-	-
1	6	1	4	1	4	1	4	1	4	1	3	-	-
1	5	1	3	1	3	1	3	1	3	1	3	-	-
1	3	1	3	1	3	1	3	1	3	1	3	-	-
-	-	1	1	1	1	1	1	1	1	-	-	-	-
1	5	1	3	1	3	1	3	1	3	1	3	-	-
1	5	1	3	1	3	1	3	1	3	1	3	-	-
1	3	1	3	1	3	1	3	1	3	1	3	-	-
-	-	1	1	1	1	1	1	1	1	-	-	-	-
1	5	1	3	1	3	1	3	1	3	1	3	-	-
1	5	1	3	1	3	1	3	1	3	1	3	-	-
1	37	1	23	1	23	1	23	1	23	1	23	-	-
1	33	1	23	1	23	1	23	1	23	1	23	-	-
-	-	-	-	-	-	-	-	-	-	-	-	-	-
1	11	1	7	1	7	1	7	1	7	1	7	-	-
1	10	1	7	1	7	1	7	1	7	1	7	-	-
-	-	1	3	1	3	1	3	1	3	-	-	-	-
1	5	1	3	1	3	1	3	1	3	1	3	-	-
1	5	1	3	1	3	1	3	1	3	1	3	-	-
1	3	1	3	1	3	1	3	1	3	1	3	-	-
1	5	1	3	1	3	1	3	1	3	1	3	-	-
1	5	1	3	1	3	1	3	1	3	1	3	-	-
1	5	1	3	1	3	1	3	1	3	1	3	-	-
1	5	1	3	1	3	1	3	1	3	1	3	-	-
1	3	1	3	1	3	1	3	1	3	1	3	-	-
1	5	1	3	1	3	1	3	1	3	1	3	-	-
1	5	1	3	1	3	1	3	1	3	1	3	-	-
1	3	1	3	1	3	1	3	1	3	1	3	-	-
1	1	1	1	1	1	1	1	1	1	1	1	-	-
1	2	1	1	1	1	1	1	1	1	1	1	-	-
1	1	1	1	1	1	1	1	1	1	1	1	-	-
-	-	1	1	1	1	1	1	1	1	1	1	-	-
-	-	1	1	1	1	1	1	1	1	1	1	1	1
-	-	-	-	-	-	-	-	-	-	-	-	1	1
-	-	-	-	-	-	-	-	-	-	-	-	1	1
1	3	1	2	1	2	1	2	1	2	1	2	-	-
1	2	1	2	1	2	1	2	1	2	1	2	-	-
1	6	1	4	1	4	1	4	1	4	1	3	-	-
1	5	1	3	1	3	1	3	1	3	1	3	-	-
1	6	1	4	1	4	1	4	1	4	1	3	-	-
1	5	1	3	1	3	1	3	1	3	1	3	-	-
1	5	1	3	1	3	1	3	1	3	1	3	-	-
1	5	1	3	1	3	1	3	1	3	1	3	-	-
1	3	1	2	1	2	1	2	1	2	1	2	-	-
1	2	1	2	1	2	1	2	1	2	1	2	-	-
1	1	1	1	1	1	1	1	1	1	1	1	-	-

Driver matrix - Dali dimmable (1)

(number of products allowed per driver)

DALI MIN. CUTOOUT HOLE Ø40/54/55 MM		12409230		12409330		12409430		12409530	
Dimensions (LxWxH)		DALI		DALI		DALI		DALI	
min. cutout hole		145x31x21		145x31x21		145x31x21		145x31x21	
*Number of LED output channels		40		40		40		40	
Max drivers on MCB 16A type B		1		1		1		1	
		130		130		130		130	
FIXTURE	mA	min	max	min	max	min	max	min	max
Chapeau 206 LED GE	350	-	-	-	-	-	-	-	-
	500	-	-	-	-	-	-	-	-
Dent large LED GE	350	-	-	-	-	-	-	-	-
Dent medium LED GE	350	-	-	-	-	-	-	-	-
Dent small LED GE	350	-	-	1	1	-	-	-	-
Duell recessed 1x LED GE	350	-	-	1	1	-	-	-	-
	500	-	-	-	-	1	1	-	-
Duell recessed 2x LED GE	350	-	-	1/2	1/2	-	-	-	-
	500	-	-	-	-	1/2	1/2	-	-
Hipy 110 IP67 LED GE	350	-	-	1	1	-	-	-	-
	500	-	-	-	-	1	1	-	-
Hipy 70 IP67 LED GE	700	-	-	-	-	-	-	-	-
	350	-	-	1	3	-	-	-	-
Hollow 115 trimless LED GE	350	-	-	1	1	-	-	-	-
	500	-	-	-	-	1	1	-	-
Hollow 125 LED GE	350	-	-	1	1	-	-	-	-
	500	-	-	-	-	1	1	-	-
Julien IP54 LED GE	350	-	-	1	2	-	-	-	-
K120 adjustable LED GE	350	-	-	-	-	-	-	-	-
	500	-	-	-	-	-	-	-	-
K72 IP54 LED GE	700	-	-	-	-	-	-	-	-
	350	-	-	1	1	-	-	-	-
K77 adjustable LED GE	500	-	-	-	-	1	1	-	-
	350	-	-	1	1	-	-	-	-
Kurk IP40 LED GE	500	-	-	-	-	1	1	-	-
	700	-	-	-	-	-	-	-	-
Kurk surface IP40 GE	350	-	-	1	1	-	-	-	-
	500	-	-	-	-	1	1	-	-
Lotis 82 (concrete) LED GE	700	-	-	-	-	-	-	-	-
	350	-	-	1	1	-	-	-	-
Lotis 86 IP55 LED GE	500	-	-	-	-	1	1	-	-
	350	-	-	1	1	-	-	-	-
Lotis 97 (concrete) adjustable LED GE	500	-	-	-	-	1	1	-	-
	350	-	-	1	1	-	-	-	-
Lotis square (IP55) LED GE	500	-	-	-	-	1	1	-	-
	350	-	-	1	1	-	-	-	-
Marbul recessed 1x LED GE	500	-	-	-	-	1	1	-	-
	350	-	-	1/2	1/2	-	-	-	-
Marbul recessed 2x LED GE	500	-	-	-	-	1/2	1/2	-	-
	350	-	-	-	-	-	-	-	-
Marbul recessed warm dim 1x LED GE	350	-	-	-	-	-	-	-	-
	500	-	-	1	1	-	-	-	-
Marbul suspension (adjustable) LED GE	500	-	-	-	-	1	1	-	-
	350	-	-	-	-	-	-	-	-
Marbul suspension (adjustable) warm dim LED GE	350	-	-	-	-	-	-	-	-
	500	-	-	-	-	-	-	-	-
Marcel 1x LED GE	350	-	-	-	-	-	-	-	-
	500	-	-	-	-	-	-	-	-
Marcel 2x LED GE	700	-	-	-	-	-	-	-	-
	350	-	-	-	-	-	-	-	-
Marcel 3x LED GE	500	-	-	-	-	-	-	-	-
	700	-	-	-	-	-	-	-	-
Médard 42 recessed LED GE	350	-	-	1	3	-	-	-	-
	500	-	-	-	-	1	2	-	-
Médard 42 recessed warm dim LED GE	350	-	-	1	1	-	-	-	-
	500	-	-	1	1	-	-	-	-
Médard 42 semi-recessed LED GE	500	-	-	-	-	1	1	-	-
	700	-	-	-	-	-	-	-	-
Médard 42 semi-recessed warm dim LED GE	350	-	-	1	1	-	-	-	-
	500	-	-	1	1	-	-	-	-
Médard 70 recessed LED GE	500	-	-	-	-	1	1	-	-
	700	-	-	-	-	-	-	-	-
Médard 70 recessed warm dim LED GE	350	-	-	-	-	-	-	-	-

11630030		11630130		11630230		12405630		12407630		12407930	
DALI hybrid deepdim		DALI hybrid deepdim		DALI hybrid deepdim		DALI		DALI		DALI	
160x41.5x30.5		160x41.5x30.5		160x41.5x30.5		146,5x44x30		110,4x52x22		110,4x52x22	
54		54		54		54		55		55	
1		1		1		1		1		1	
106		106		106		50		50		50	
min	max	min	max	min	max	min	max	min	max	min	max
1	1	-	-	-	-	1	1	1	1	1	1
-	-	1	1	-	-	1	1	1	1	1	1
-	-	-	-	-	-	1	1	-	-	-	-
-	-	-	-	-	-	1	1	-	-	-	-
1	1	-	-	-	-	1	2	1	2	1	2
1	2	-	-	-	-	1	2	1	2	1	2
-	-	1	2	-	-	1	2	1	2	1	2
1/2	1	-	-	-	-	1/2	1	1/2	1	1/2	1
-	-	1/2	1	-	-	1/2	1	1/2	1	1/2	1
1	2	-	-	-	-	1	2	1	2	1	2
-	-	1	2	-	-	1	2	1	2	1	2
-	-	-	-	1	1	1	2	1	1	1	1
1	4	-	-	-	-	2	5	2	4	2	4
1	2	-	-	-	-	1	3	1	2	1	2
-	-	1	2	-	-	1	2	1	2	1	2
1	2	-	-	-	-	1	3	1	2	1	2
-	-	1	2	-	-	1	2	1	2	1	2
1	3	-	-	-	-	1	4	1	3	1	3
1	1	-	-	-	-	1	1	1	1	1	1
-	-	1	1	-	-	1	1	1	1	1	1
-	-	-	-	-	-	1	1	-	-	-	-
1	2	-	-	-	-	1	2	1	2	1	2
-	-	1	2	-	-	1	2	1	2	1	2
1	2	-	-	-	-	1	2	1	2	1	2
-	-	1	2	-	-	1	2	1	2	1	2
1	1	-	-	-	-	1	2	1	2	1	2
-	-	1	1	-	-	1	2	1	1	1	1
-	-	-	-	1	1	1	2	1	1	1	1
1	1	-	-	-	-	1	2	1	2	1	2
-	-	1	1	-	-	1	2	1	1	1	1
-	-	-	-	1	1	1	2	1	1	1	1
1	2	-	-	-	-	1	2	1	2	1	2
-	-	1	2	-	-	1	2	1	2	1	2
1	2	-	-	-	-	1	2	1	2	1	2
-	-	1	2	-	-	1	2	1	2	1	2
1	2	-	-	-	-	1	2	1	2	1	2
-	-	1	2	-	-	1	2	1	2	1	2
1	1	-	-	-	-	1	2	1	2	1	2
-	-	1	2	-	-	1	2	1	2	1	2
1/2	1	-	-	-	-	1/2	1	1/2	1	1/2	1
-	-	1/2	1	-	-	1/2	1	1/2	1	1/2	1
1	1	-	-	-	-	1	1	1	1	1	1
1/2	1/2	-	-	-	-	1/2	1/2	1/2	1/2	1/2	1/2
1	2	-	-	-	-	1	2	1	2	1	2
-	-	1	2	-	-	1	2	1	2	1	2
1	1	-	-	-	-	1	1	1	1	1	1
1	1	-	-	-	-	1	1	1	1	1	1
1	1	-	-	-	-	1	1	1	1	1	1
-	-	1	1	-	-	1	1	1	1	1	1
-	-	-	-	-	-	1	1	-	-	-	-
1/2	1/2	-	-	-	-	1/2	1/2	1/2	1/2	1/2	1/2
-	-	1/2	1/2	-	-	1/2	1/2	1/2	1/2	1/2	1/2
-	-	-	-	-	-	1/2	1/2	-	-	-	-
1/3	1/3	-	-	-	-	1/3	1/3	1/3	1/3	1/3	1/3
-	-	1/3	1/3	-	-	1/3	1/3	1/3	1/3	1/3	1/3
-	-	-	-	-	-	1/3	1/3	-	-	-	-
1	4	-	-	-	-	2	5	2	5	2	5
-	-	1	4	-	-	2	5	1	4	1	4
1	2	-	-	-	-	1	2	1	2	1	2
1	2	-	-	-	-	1	3	1	2	1	2
-	-	1	2	-	-	1	2	1	2	1	2
-	-	-	-	1	1	1	2	1	1	1	1
1	2	-	-	-	-	1	2	1	2	1	2
1	2	-	-	-	-	1	2	1	2	1	2
-	-	1	2	-	-	1	2	1	2	1	2
1	1	-	-	-	-	1	1	1	1	1	1

Driver matrix - Dali dimmable (1)

(number of products allowed per driver)

DALI MIN. CUTOOUT HOLE Ø40/54/55 MM		12409230		12409330		12409430		12409530	
Dimensions (LxWxH)		DALI		DALI		DALI		DALI	
min. cutout hole		145x31x21		145x31x21		145x31x21		145x31x21	
*Number of LED output channels		40		40		40		40	
Max drivers on MCB 16A type B		1		1		1		1	
		130		130		130		130	
FIXTURE	mA	min	max	min	max	min	max	min	max
Médard 70 semi-recessed LED GE	350	-	-	-	-	-	-	-	-
Médard 70 semi-recessed warm dim LED GE	500	-	-	-	-	-	-	-	-
Médard 70 stretched semi-recessed 1X LED GE	350	-	-	-	-	-	-	-	-
Médard 70 stretched semi-recessed 2X LED GE	500	-	-	-	-	-	-	-	-
Médard 70 stretched semi-recessed warm dim 1X LED GE	350	-	-	-	-	-	-	-	-
Médard 70 stretched semi-recessed warm dim 2X LED GE	350	-	-	-	-	-	-	-	-
Mini-multiple 1x LED GE	350	-	-	1/2	1/2	-	-	-	-
Mini-multiple 2x LED GE	500	-	-	-	-	1/2	1/2	-	-
Mini-multiple 3x LED GE	350	-	-	1/3	1/3	-	-	-	-
Mini-multiple 4x LED GE	500	-	-	-	-	1/3	1/3	-	-
Minude 45 ceiling recessed adjustable LED GE	350	-	-	1/4	1/4	-	-	-	-
Minude 45 suspension LED GE	500	-	-	-	-	1/4	1/4	-	-
M-LED 50 GE	350	-	-	1	1	-	-	-	-
M-LED 50 warm dim GE	500	-	-	-	-	1	1	-	-
M-LED 70 GE	350	-	-	1	1	-	-	-	-
M-LED 70 warm dim GE	500	-	-	-	-	1	1	-	-
M-LED 111 GE	350	-	-	-	-	-	-	-	-
	700	-	-	-	-	-	-	-	-
Nomad 111 2x LED GE	350	-	-	-	-	-	-	-	-
	500	-	-	-	-	-	-	-	-
	700	-	-	-	-	-	-	-	-
Nomad 111 4x LED GE	350	-	-	-	-	-	-	-	-
	500	-	-	-	-	-	-	-	-
	700	-	-	-	-	-	-	-	-
Nomad 2xLED AR 111	500	-	-	-	-	-	-	-	-
Nomad 4xLED AR 111	1050	-	-	-	-	-	-	-	-
Placebo up/down LED GE	350	-	-	1	1	-	-	-	-
Pupil LED GE	350	-	-	1	3	-	-	-	-
	500	-	-	-	-	1	2	-	-
	700	-	-	-	-	-	-	1	1
Pupil warm dim LED GE	350	-	-	1	1	-	-	-	-
Qbini fix/adjustable/asy 1x LED GE	350	-	-	1	3	-	-	-	-
	500	-	-	-	-	1	2	-	-
Qbini fix/adjustable/asy 2x LED GE	350	-	-	1/2	1	-	-	-	-
	500	-	-	-	-	1/2	1	-	-
Qbini fix/adjustable/asy 3x LED GE	350	-	-	1/3	1	-	-	-	-
	500	-	-	-	-	1/3	1/2	-	-
Qbini fix/adjustable/asy 4x LED GE	350	-	-	1/4	1/2	-	-	-	-
	500	-	-	-	-	1/4	1/2	-	-
Qbini fix/adjustable/asy trimless 1x LED GE	350	-	-	1	3	-	-	-	-
	500	-	-	-	-	1	2	-	-
Qbini fix/adjustable/asy trimless 2x LED GE	350	-	-	1/2	1	-	-	-	-
	500	-	-	-	-	1/2	1	-	-
Qbini fix/adjustable/asy trimless 3x LED GE	350	-	-	1/3	1	-	-	-	-
	500	-	-	-	-	1/3	1/2	-	-
Qbini fix/adjustable/asy trimless 4x LED GE	350	-	-	1/4	1/2	-	-	-	-
	500	-	-	-	-	1/4	1/2	-	-
Qbini fix/adjustable/asy trimless warm dim 1x LED GE	250	1	2	-	-	-	-	-	-
Qbini fix/adjustable/asy trimless warm dim 2x LED GE	250	1/2	1	-	-	-	-	-	-
Qbini fix/adjustable/asy trimless warm dim 3x LED GE	250	1/3	1/2	-	-	-	-	-	-
Qbini fix/adjustable/asy trimless warm dim 4x LED GE	250	1/4	1/2	-	-	-	-	-	-
Qbini fix/adjustable/asy warm dim 1x LED GE	250	1	2	-	-	-	-	-	-
Qbini fix/adjustable/asy warm dim 2x LED GE	250	1/2	1	-	-	-	-	-	-
Qbini fix/adjustable/asy warm dim 3x LED GE	250	1/3	1/2	-	-	-	-	-	-
Qbini fix/adjustable/asy warm dim 4x LED GE	250	1/4	1/2	-	-	-	-	-	-

11630030		11630130		11630230		12405630		12407630		12407930	
DALI hybrid deepdim		DALI hybrid deepdim		DALI hybrid deepdim		DALI		DALI		DALI	
160x41.5x30.5		160x41.5x30.5		160x41.5x30.5		146,5x44x30		110,4x52x22		110,4x52x22	
54		54		54		54		55		55	
1		1		1		1		1		1	
106		106		106		50		50		50	
min	max	min	max	min	max	min	max	min	max	min	max
-	1	-	-	-	-	1	1	1	1	1	1
-	-	1	1	-	-	1	1	1	1	1	1
1	1	-	-	-	-	1	1	1	1	1	1
1	1	-	-	-	-	1	1	1	1	1	1
-	-	1	1	-	-	1	1	1	1	1	1
1/2	1/2	-	-	-	-	1/2	1/2	1/2	1/2	1/2	1/2
-	-	1/2	1/2	-	-	1/2	1/2	1/2	1/2	1/2	1/2
1	1	-	-	-	-	1	1	1	1	1	1
1/2	1/2	-	-	-	-	1/2	1/2	1/2	1/2	1/2	1/2
1	2	-	-	-	-	1	2	1	2	1	2
-	-	1	2	-	-	1	2	1	2	1	2
1/2	1	-	-	-	-	1/2	1	1/2	1	1/2	1
-	-	1/2	1	-	-	1/2	1	1/2	1	1/2	1
1/3	1/2	-	-	-	-	1/3	1/2	1/3	1/2	1/3	1/2
-	-	1/3	1/2	-	-	1/3	1/2	1/3	1/2	1/3	1/2
1/4	1/2	-	-	-	-	1/4	1/2	1/4	1/2	1/4	1/2
-	-	1/4	1/2	-	-	1/4	1/2	1/4	1/2	1/4	1/2
1	2	-	-	-	-	1	3	1	2	1	2
-	-	1	2	-	-	1	2	1	2	1	2
1	2	-	-	-	-	1	3	1	2	1	2
-	-	1	2	-	-	1	2	1	2	1	2
1	2	-	-	-	-	1	2	1	2	1	2
-	-	1	2	-	-	1	2	1	2	1	2
1	2	-	-	-	-	1	2	1	2	1	2
1	2	-	-	-	-	1	2	1	2	1	2
-	-	1	2	-	-	1	2	1	2	1	2
1	2	-	-	-	-	1	2	1	2	1	2
1	1	-	-	-	-	1	1	1	1	1	1
-	-	1	1	-	-	1	1	1	1	1	1
-	-	-	-	-	-	1	1	-	-	-	-
1/2	1/2	-	-	-	-	1/2	1/2	1/2	1/2	1/2	1/2
-	-	1/2	1/2	-	-	1/2	1/2	1/2	1/2	1/2	1/2
-	-	-	-	-	-	1/2	1/2	-	-	-	-
1/4	1/4	-	-	-	-	1/4	1/4	1/4	1/4	1/4	1/4
-	-	1/4	1/4	-	-	1/4	1/4	1/4	1/4	1/4	1/4
-	-	-	-	-	-	1/4	1/4	-	-	-	-
-	-	1	1	-	-	1	1	1	1	1	1
-	-	-	-	-	-	1	1	-	-	-	-
1	2	-	-	-	-	1	2	1	2	1	2
1	4	-	-	-	-	2	5	2	5	2	5
-	-	1	4	-	-	2	5	1	4	1	4
-	-	-	-	1	2	1	5	1	2	1	2
1	2	-	-	-	-	1	2	1	2	1	2
1	4	-	-	-	-	2	5	2	5	2	5
-	-	1	4	-	-	2	5	1	4	1	4
1/2	2	-	-	-	-	1	2	1	2	1	2
-	-	1/2	2	-	-	1	2	1/2	2	1/2	2
1/3	1	-	-	-	-	1/2	1	1/2	1	1/2	1
-	-	1/3	1	-	-	1/2	1	1/3	1	1/3	1
1/4	1	-	-	-	-	1/2	1	1/2	1	1/2	1
-	-	1/4	1	-	-	1/2	1	1/4	1	1/4	1
1	4	-	-	-	-	2	5	2	5	2	5
-	-	1	4	-	-	2	5	1	4	1	4
1/2	2	-	-	-	-	1	2	1	2	1	2
-	-	1/2	2	-	-	1	2	1/2	2	1/2	2
1/3	1	-	-	-	-	1/2	1	1/2	1	1/2	1
-	-	1/3	1	-	-	1/2	1	1/3	1	1/3	1
1/4	1	-	-	-	-	1/2	1	1/2	1	1/2	1
-	-	1/4	1	-	-	1/2	1	1/4	1	1/4	1
-	-	-	-	-	-	-	-	1	2	1	2
-	-	-	-	-	-	-	-	1/2	1	1/2	1
-	-	-	-	-	-	-	-	1/3	1/2	1/3	1/2
-	-	-	-	-	-	-	-	1/4	1/2	1/4	1/2
-	-	-	-	-	-	-	-	1	2	1	2
-	-	-	-	-	-	-	-	1/2	1	1/2	1
-	-	-	-	-	-	-	-	1/3	1/2	1/3	1/2
-	-	-	-	-	-	-	-	1/4	1/2	1/4	1/2

Driver matrix - Dali dimmable (1)

(number of products allowed per driver)

DALI MIN. CUTOOUT HOLE Ø40/54/55 MM		12409230		12409330		12409430		12409530	
Dimensions (LxWxH)		DALI		DALI		DALI		DALI	
min. cutout hole		145x31x21		145x31x21		145x31x21		145x31x21	
*Number of LED output channels		40		40		40		40	
Max drivers on MCB 16A type B		1		1		1		1	
		130		130		130		130	
FIXTURE	mA	min	max	min	max	min	max	min	max
Obini general 2X LED GE	350	-	-	1	2	-	-	-	-
	500	-	-	-	-	1	1	-	-
Obini general 4X LED GE	350	-	-	1/2	1	-	-	-	-
	500	-	-	-	-	1/2	1/2	-	-
Rektor recessed LED GE	350	-	-	-	-	-	-	-	-
	500	-	-	-	-	-	-	-	-
Rektor recessed warm dim LED GE	350	-	-	-	-	-	-	-	-
Scotty 270 adjustable LED GE	350	-	-	-	-	-	-	-	-
Scotty 270 LED GE	350	-	-	-	-	-	-	-	-
	500	-	-	-	-	-	-	-	-
Shellby 176 trimless LED GE	350	-	-	1	1	-	-	-	-
	500	-	-	-	-	1	1	-	-
	700	-	-	-	-	-	-	-	-
Shellby 176 trimless warm dim LED GE	350	-	-	-	-	-	-	-	-
	500	-	-	1	1	-	-	-	-
Shellby 184 LED GE	500	-	-	-	-	1	1	-	-
	700	-	-	-	-	-	-	-	-
Shellby 184 warm dim LED GE	350	-	-	-	-	-	-	-	-
Slide IP54 LED GE	350	-	-	1	1	-	-	-	-
	500	-	-	-	-	1	1	-	-
Smart Cake / Kup / Lotis / (asy) 48 (IP54) LED GE	350	-	-	2	10	-	-	-	-
Smart Cake / Kup / Lotis / (asy) 48 warm dim (IP55) LED GE	250	1	2	-	-	-	-	-	-
	350	-	-	1	3	-	-	-	-
Smart Cake / Kup / Lotis / + (asy) 48 (IP54) LED GE	500	-	-	-	-	1	2	-	-
Smart Cake / Kup / Lotis 82 (adjustable) warm dim LED GE (IP54)	350	-	-	1	1	-	-	-	-
	350	-	-	1	1	-	-	-	-
Smart Cake / Kup / Lotis 82 (IP54) LED GE	500	-	-	-	-	1	1	-	-
	700	-	-	-	-	-	-	-	-
	350	-	-	1	1	-	-	-	-
Smart Cake / Kup / Lotis 82 adjustable LED GE	500	-	-	-	-	1	1	-	-
	700	-	-	-	-	-	-	-	-
Smart Cake / Kup / Lotis 115 adjustable LED GE	350	-	-	1	1	-	-	-	-
	500	-	-	-	-	1	1	-	-
Smart Cake / Kup / Lotis 115 adjustable warm dim LED GE	350	-	-	-	-	-	-	-	-
	500	-	-	-	-	-	-	-	-
Smart Cake / Kup / Lotis 115 (diffuse) (IP54) LED GE	500	-	-	-	-	-	-	-	-
	700	-	-	-	-	-	-	-	-
	900	-	-	-	-	-	-	-	-
	1400	-	-	-	-	-	-	-	-
Smart Cake/ Kup / Lotis 160 (diffuse) (IP54) LED GE	350	-	-	-	-	-	-	-	-
	500	-	-	-	-	-	-	-	-
	700	-	-	-	-	-	-	-	-
	900	-	-	-	-	-	-	-	-
	1050	-	-	-	-	-	-	-	-
Stove LED GE	350	-	-	-	-	-	-	-	-
	500	-	-	-	-	-	-	-	-
Thimble 70 trimless (adjustable) LED GE	350	-	-	1	1	-	-	-	-
	500	-	-	-	-	1	1	-	-
Thimble 74 (adjustable) LED GE	350	-	-	1	1	-	-	-	-
	500	-	-	-	-	1	1	-	-
Wink 82 LED GE	350	-	-	1	1	-	-	-	-
	500	-	-	-	-	1	1	-	-
Wink 115 LED GE	350	-	-	-	-	-	-	-	-
	500	-	-	-	-	-	-	-	-
	500	-	-	-	-	-	-	-	-
	700	-	-	-	-	-	-	-	-

11630030		11630130		11630230		12405630		12407630		12407930	
DALI hybrid deepdim		DALI hybrid deepdim		DALI hybrid deepdim		DALI		DALI		DALI	
160x41.5x30.5		160x41.5x30.5		160x41.5x30.5		146,5x44x30		110,4x52x22		110,4x52x22	
54		54		54		54		55		55	
1		1		1		1		1		1	
106		106		106		50		50		50	
min	max	min	max	min	max	min	max	min	max	min	max
1	3	-	-	-	-	1	4	1	3	1	3
-	-	1	3	-	-	1	4	1	3	1	3
1/2	1	-	-	-	-	1/2	2	1/2	1	1/2	1
-	-	1/2	1	-	-	1/2	2	1/2	1	1/2	1
1	1	-	-	-	-	1	1	1	1	1	1
-	-	1	1	-	-	1	1	1	1	1	1
1	1	-	-	-	-	1	1	1	1	1	1
1	1	-	-	-	-	1	1	1	1	1	1
-	-	1	1	-	-	1	1	1	1	1	1
1	2	-	-	-	-	1	3	1	2	1	2
-	-	1	2	-	-	1	2	1	2	1	2
-	-	-	-	1	1	1	2	1	1	1	1
1	1	-	-	-	-	1	1	1	1	1	1
1	2	-	-	-	-	1	3	1	2	1	2
-	-	1	2	-	-	1	2	1	2	1	2
-	-	-	-	1	1	1	2	1	1	1	1
1	1	-	-	-	-	1	1	1	1	1	1
1	2	-	-	-	-	1	2	1	2	1	2
-	-	1	2	-	-	1	2	1	2	1	2
-	-	-	-	1	1	1	2	1	1	1	1
1	1	-	-	-	-	1	1	1	1	1	1
1	2	-	-	-	-	1	2	1	2	1	2
-	-	1	2	-	-	1	2	1	2	1	2
1	13	-	-	-	-	4	17	4	16	4	16
-	-	1	13	-	-	4	18	2	13	2	13
-	-	-	-	-	-	-	-	1	2	1	2
1	4	-	-	-	-	2	5	2	5	2	5
-	-	1	4	-	-	2	5	1	4	1	4
1	2	-	-	-	-	1	2	1	2	1	2
1	2	-	-	-	-	1	2	1	2	1	2
-	-	1	2	-	-	1	2	1	2	1	2
-	-	-	-	1	1	1	2	1	1	1	1
1	2	-	-	-	-	1	2	1	2	1	2
-	-	1	2	-	-	1	2	1	2	1	2
-	-	-	-	1	1	1	2	1	1	1	1
1	2	-	-	-	-	1	2	1	2	1	2
-	-	1	2	-	-	1	2	1	2	1	2
-	-	-	-	1	1	1	2	1	1	1	1
1	1	-	-	-	-	1	1	1	1	1	1
1	1	-	-	-	-	1	1	1	1	1	1
-	-	1	1	-	-	1	1	1	1	1	1
-	-	-	-	-	-	1	1	-	-	-	-
-	-	-	-	-	-	1	1	-	-	-	-
-	-	1	1	-	-	1	1	1	1	1	1
-	-	-	-	-	-	-	-	-	-	-	-
-	-	-	-	-	-	-	-	-	-	-	-
-	-	-	-	-	-	-	-	-	-	-	-
-	-	-	-	-	-	-	-	-	-	-	-
1	1	-	-	-	-	1	1	1	1	1	1
-	-	1	1	-	-	1	1	1	1	1	1
1	2	-	-	-	-	1	3	1	2	1	2
-	-	1	2	-	-	1	2	1	2	1	2
1	2	-	-	-	-	1	3	1	2	1	2
-	-	1	2	-	-	1	2	1	2	1	2
1	2	-	-	-	-	1	2	1	2	1	2
-	-	1	2	-	-	1	2	1	2	1	2
1	1	-	-	-	-	1	1	1	1	1	1
-	-	1	1	-	-	1	1	1	1	1	1
-	-	-	-	-	-	-	-	-	-	-	-
-	-	-	-	-	-	-	-	-	-	-	-
-	-	-	-	-	-	-	-	-	-	-	-
-	-	-	-	-	-	-	-	-	-	-	-
1	1	-	-	-	-	1	1	1	1	1	1
-	-	1	1	-	-	1	1	1	1	1	1
1	2	-	-	-	-	1	3	1	2	1	2
-	-	1	2	-	-	1	2	1	2	1	2
1	2	-	-	-	-	1	3	1	2	1	2
-	-	1	2	-	-	1	2	1	2	1	2
1	2	-	-	-	-	1	2	1	2	1	2
-	-	1	2	-	-	1	2	1	2	1	2
1	1	-	-	-	-	1	1	1	1	1	1
-	-	1	1	-	-	1	1	1	1	1	1
-	-	-	-	-	-	-	-	-	-	-	-
-	-	-	-	-	-	-	-	-	-	-	-

Driver matrix - Dali dimmable (2)

(number of products allowed per driver)

DALI MIN. CUTOOUT HOLE Ø72/84/85/88/90 MM		12403230		12408130		11630630		11630730		11630830	
		DALI		DALI		DALI hybrid deepdim		DALI hybrid deepdim		DALI hybrid deepdim	
Dimensions (LxWxH)		103x67x21		103x67x21		153x76.2x30.1		153x76.2x30.1		153x76.2x30.1	
min. cutout hole		72		72		84		84		84	
*Number of LED output channels		1		1		2		2		2	
Max drivers on MCB 16A type B		50		50		22		22		22	
FIXTURE	mA	min	max	min	max	min	max	min	max	min	max
Chapeau 206 LED GE	350	1	1	1	1	1	1	-	-	-	-
	500	1	1	1	1	-	-	1	1	-	-
Dent large LED GE	350	-	-	-	-	1	1	-	-	-	-
Dent medium LED GE	350	-	-	-	-	1	1	-	-	-	-
Dent small LED GE	350	1	2	1	2	1	2	-	-	-	-
Duell recessed 1x LED GE	350	1	2	1	2	1	2	-	-	-	-
	500	1	2	1	2	-	-	1	2	-	-
Duell recessed 2x LED GE	350	1/2	1	1/2	1	1/2	1	-	-	-	-
	500	1/2	1	1/2	1	-	-	1/2	1	-	-
Hipy 110 IP67 LED GE	350	1	2	1	2	1	2	-	-	-	-
	500	1	2	1	2	-	-	1	2	-	-
Hipy 70 IP67 LED GE	350	1	2	1	2	-	-	-	-	1	2
	700	1	2	1	2	-	-	-	-	1	2
Hollow 115 trimless LED GE	350	1	4	1	4	1	5	-	-	-	-
	350	1	2	1	2	1	3	-	-	-	-
Hollow 125 LED GE	350	1	2	1	2	-	-	-	-	-	-
	500	1	2	1	2	-	-	1	2	-	-
Julien IP54 LED GE	350	1	3	1	3	1	4	-	-	-	-
	350	1	1	1	1	1	1	-	-	-	-
K120 adjustable LED GE	500	1	1	1	1	-	-	1	1	-	-
	700	1	1	1	1	-	-	-	-	1	1
	350	1	2	1	2	1	2	-	-	-	-
K72 IP54 LED GE	350	1	2	1	2	-	-	1	2	-	-
	500	1	2	1	2	-	-	-	-	-	-
K77 adjustable LED GE	350	1	2	1	2	1	2	-	-	-	-
	500	1	2	1	2	-	-	1	2	-	-
Kurk IP40 LED GE	350	1	2	1	2	1	2	-	-	-	-
	500	1	2	1	2	-	-	1	2	-	-
	700	1	2	1	2	-	-	-	-	1	2
Kurk surface IP40 GE	350	1	2	1	2	1	2	-	-	-	-
	500	1	2	1	2	-	-	1	2	-	-
	700	1	2	1	2	-	-	-	-	1	2
Lotis 82 (concrete) LED GE	350	1	2	1	2	1	2	-	-	-	-
	500	1	2	1	2	-	-	1	2	-	-
Lotis 86 IP55 LED GE	350	1	2	1	2	1	2	-	-	-	-
	500	1	2	1	2	-	-	1	2	-	-
Lotis 97 (concrete) adjustable LED GE	350	1	2	1	2	1	2	-	-	-	-
	500	1	2	1	2	-	-	1	2	-	-
Lotis square (IP55) LED GE	350	1	2	1	2	1	2	-	-	-	-
	500	1	2	1	2	-	-	1	2	-	-
Marbul recessed 1x LED GE	350	1	2	1	2	1	2	-	-	-	-
	500	1	2	1	2	-	-	1	2	-	-
Marbul recessed 2x LED GE	350	1/2	1	1/2	1	1/2	1	-	-	-	-
	500	1/2	1	1/2	1	-	-	1/2	1	-	-
Marbul recessed warm dim 1x LED GE	350	-	-	1	1	1	1	-	-	-	-
	350	-	-	1/2	1/2	1/2	1/2	-	-	-	-
Marbul suspension (adjustable) LED GE	350	1	2	1	2	1	2	-	-	-	-
	500	1	2	1	2	-	-	1	2	-	-
Marbul suspension (adjustable) warm dim LED GE	350	-	-	1	1	1	1	-	-	-	-
	350	-	-	1	1	1	1	-	-	-	-
Marcel 1x LED GE	350	1	1	1	1	1	1	-	-	-	-
	500	1	1	1	1	-	-	1	1	-	-
	700	1	1	1	1	-	-	-	-	1	1
Marcel 2x LED GE	350	1/2	1/2	1/2	1/2	1/2	1/2	-	-	-	-
	500	1/2	1/2	1/2	1/2	-	-	1/2	1/2	-	-
	700	1/2	1/2	1/2	1/2	-	-	-	-	1/2	1/2
Marcel 3x LED GE	350	1/3	1/3	1/3	1/3	1/3	1/3	-	-	-	-
	500	1/3	1/3	1/3	1/3	-	-	1/3	1/3	-	-
	700	1/3	1/3	1/3	1/3	-	-	-	-	1/3	1/3
Médard 42 recessed LED GE	350	1	5	1	5	1	5	-	-	-	-
	500	1	4	1	4	-	-	1	5	-	-
Médard 42 recessed warm dim LED GE	350	-	-	1	2	1	2	-	-	-	-
	350	1	2	1	2	1	3	-	-	-	-
Médard 42 semi-recessed LED GE	500	1	2	1	2	-	-	1	2	-	-
	700	1	2	1	2	-	-	-	-	1	2
	350	-	-	1	2	1	2	-	-	-	-
Médard 42 semi-recessed warm dim LED GE	350	1	2	1	2	1	2	-	-	-	-
	500	1	2	1	2	-	-	1	2	-	-
Médard 70 recessed LED GE	500	1	2	1	2	-	-	1	2	-	-
	700	1	2	1	2	-	-	-	-	1	2
	350	-	-	1	1	1	1	-	-	-	-

12407830		12408330		12404530		12406530		12406830		12404730		12404030	
DALI/1-10V/PUSH		DALI/1-10V/PUSH		DALI/1-10V/PUSH		DALI/1-10V/PUSH		DALI/1-10V/PUSH		DALI/1-10V/PUSH		DALI/1-10V/PUSH	
124x79x22		124x79x22		124x79x22		124x79x22		124x79x22		161x83x35		129x79x30	
84		84		85		85		85		88		90	
1		1		1		1		1		1		1	
30		30		15		30		30		15		15	
min	max	min	max	min	max	min	max	min	max	min	max	min	max
1	3	1	3	1	3	1	2	1	2	1	2	-	-
1	3	1	3	1	2	1	2	1	2	1	2	-	-
1	2	1	2	1	2	1	1	1	1	1	1	-	-
1	2	1	2	1	2	1	1	1	1	1	1	-	-
1	4	1	4	1	4	1	3	1	3	1	3	-	-
2	5	2	5	1	5	1	3	1	3	1	3	-	-
1	5	1	5	1	5	1	3	1	3	1	3	-	-
1	2	1	2	1/2	2	1/2	1	1/2	1	1/2	1	-	-
1/2	2	1/2	2	1/2	2	1/2	1	1/2	1	1/2	1	-	-
2	5	2	5	1	5	1	3	1	3	1	3	-	-
1	5	1	5	1	5	1	3	1	3	1	3	-	-
1	4	1	4	1	3	1	3	1	3	1	3	-	-
3	11	3	11	1	11	1	7	1	7	1	7	-	-
2	6	2	6	1	6	1	4	1	4	1	3	-	-
1	6	1	6	1	5	1	3	1	3	1	3	-	-
2	6	2	6	1	6	1	4	1	4	1	3	-	-
1	6	1	6	1	5	1	3	1	3	1	3	-	-
2	8	2	8	1	8	1	5	1	5	1	5	-	-
1	3	1	3	1	3	1	2	1	2	1	1	-	-
1	3	1	3	1	2	1	1	1	1	1	1	-	-
1	2	1	2	1	1	1	1	1	1	1	1	-	-
2	5	2	5	1	5	1	3	1	3	1	3	-	-
1	5	1	5	1	5	1	3	1	3	1	3	-	-
2	5	2	5	1	5	1	3	1	3	1	3	-	-
1	5	1	5	1	5	1	3	1	3	1	3	-	-
1	5	1	5	1	5	1	3	1	3	1	3	-	-
1	4	1	4	1	3	1	3	1	3	1	3	-	-
1	5	1	5	1	5	1	3	1	3	1	3	-	-
1	5	1	5	1	4	1	3	1	3	1	3	-	-
1	4	1	4	1	3	1	3	1	3	1	3	-	-
1	5	1	5	1	5	1	3	1	3	1	3	-	-
1	4	1	4	1	3	1	3	1	3	1	3	-	-
2	5	2	5	1	5	1	3	1	3	1	3	-	-
1	5	1	5	1	5	1	3	1	3	1	3	-	-
2	5	2	5	1	5	1	3	1	3	1	3	-	-
1	5	1	5	1	5	1	3	1	3	1	3	-	-
1	5	1	5	1	5	1	3	1	3	1	3	-	-
1	5	1	5	1	5	1	3	1	3	1	3	-	-
1	5	1	5	1	5	1	3	1	3	1	3	-	-
1	5	1	5	1	5	1	3	1	3	1	3	-	-
1/2	2	1/2	2	1/2	2	1/2	1	1/2	1	1/2	1	-	-
1	3	1	3	-	-	1	1	1	1	-	-	-	-
1/2	1	1/2	1	-	-	1/2	1/2	1/2	1/2	-	-	-	-
2	5	2	5	1	5	1	3	1	3	1	3	-	-
1	5	1	5	1	5	1	3	1	3	1	3	-	-
1	3	1	3	-	-	1	1	1	1	-	-	-	-
1	3	1	3	-	-	1	1	1	1	-	-	-	-
1	3	1	3	1	3	1	2	1	2	1	1	-	-
1	3	1	3	1	2	1	1	1	1	1	1	-	-
1	2	1	2	1	1	1	1	1	1	1	1	-	-
1/2	1	1/2	1	1/2	1	1/2	1	1/2	1	1/2	1/2	-	-
1/2	1	1/2	1	1/2	1	1/2	1/2	1/2	1/2	1/2	1/2	-	-
1/2	1	1/2	1	1/2	1/2	1/2	1/2	1/2	1/2	1/2	1/2	-	-
1/3	1	1/3	1	1/3	1	1/3	1/2	1/3	1/2	1/3	1/3	-	-
1/3	1	1/3	1	1/3	1/2	1/3	1/3	1/3	1/3	1/3	1/3	-	-
1/3	1/2	1/3	1/2	1/3	1/3	1/3	1/3	1/3	1/3	1/3	1/3	-	-
3	11	3	11	1	11	1	7	1	7	1	7	-	-
1	11	1	11	1	10	1	7	1	7	1	7	-	-
2	6	2	6	-	-	1	3	1	3	-	-	-	-
2	6	2	6	1	6	1	4	1	4	1	3	-	-
1	6	1	6	1	5	1	3	1	3	1	3	-	-
1	4	1	4	1	3	1	3	1	3	1	3	-	-
2	6	2	6	-	-	1	3	1	3	-	-	-	-
2	5	2	5	1	5	1	3	1	3	1	3	-	-
1	5	1	5	1	5	1	3	1	3	1	3	-	-
1	4	1	4	1	3	1	3	1	3	1	3	-	-
1	3	1	3	-	-	1	1	1	1	-	-	-	-

Driver matrix - Dali dimmable (2)

(number of products allowed per driver)

DALI MIN. CUTOOUT HOLE Ø72/84/85/88/90 MM		12403230		12408130		11630630		11630730		11630830		
Dimensions (LxWxH)		DALI		DALI		DALI hybrid deepdim		DALI hybrid deepdim		DALI hybrid deepdim		
min. cutout hole		103x67x21		103x67x21		153x76.2x30.1		153x76.2x30.1		153x76.2x30.1		
*Number of LED output channels		72		72		84		84		84		
Max drivers on MCB 16A type B		1		1		2		2		2		
FITTURE		mA	min	max	min	max	min	max	min	max	min	max
Médard 70 semi-recessed LED GE	350	1	1	1	1	1	1	-	-	-	-	
	500	1	1	1	1	-	-	1	1	-	-	
Médard 70 semi-recessed warm dim LED GE	350	-	-	1	1	1	1	-	-	-	-	
	500	1	1	1	1	1	1	-	-	-	-	
Médard 70 stretched semi-recessed 1X LED GE	350	1	1	1	1	-	-	1	1	-	-	
	500	1	1	1	1	-	-	1	1	-	-	
Médard 70 stretched semi-recessed 2X LED GE	350	1/2	1/2	1/2	1/2	1/2	1/2	-	-	-	-	
	500	1/2	1/2	1/2	1/2	-	-	1/2	1/2	-	-	
Médard 70 stretched semi-recessed warm dim 1X LED GE	350	-	-	1	1	1	1	-	-	-	-	
	500	-	-	1/2	1/2	1/2	1/2	-	-	-	-	
Médard 70 stretched semi-recessed warm dim 2X LED GE	350	1	2	1	2	1	2	-	-	-	-	
	500	1	2	1	2	-	-	1	2	-	-	
Mini-multiple 1x LED GE	350	1/2	1	1/2	1	1/2	1	-	-	-	-	
	500	1/2	1	1/2	1	-	-	1/2	1	-	-	
Mini-multiple 2x LED GE	350	1/3	1/2	1/3	1/2	1/3	1/2	-	-	-	-	
	500	1/3	1/2	1/3	1/2	-	-	1/3	1/2	-	-	
Mini-multiple 3x LED GE	350	1/4	1/2	1/4	1/2	1/4	1/2	-	-	-	-	
	500	1/4	1/2	1/4	1/2	-	-	1/4	1/2	-	-	
Mini-multiple 4x LED GE	350	1	2	1	2	1	3	-	-	-	-	
	500	1	2	1	2	-	-	1	2	-	-	
Minude 45 ceiling recessed adjustable LED GE	350	1	2	1	2	1	2	-	-	-	-	
	500	1	2	1	2	-	-	1	2	-	-	
Minude 45 suspension LED GE	350	1	2	1	2	1	3	-	-	-	-	
	500	1	2	1	2	-	-	1	2	-	-	
M-LED 50 GE	350	1	2	1	2	1	2	-	-	-	-	
	500	1	2	1	2	-	-	1	2	-	-	
M-LED 50 warm dim GE	350	-	-	1	2	1	2	-	-	-	-	
	500	1	2	1	2	1	2	-	-	-	-	
M-LED 70 GE	350	1	2	1	2	1	2	-	-	-	-	
	500	1	2	1	2	-	-	1	2	-	-	
M-LED 70 warm dim GE	350	-	-	1	2	1	2	-	-	-	-	
	500	1	1	1	1	1	1	-	-	-	-	
M-LED 111 GE	500	1	1	1	1	-	-	1	1	-	-	
	700	1	1	1	1	-	-	-	-	1	1	
Nomad 111 2x LED GE	350	1/2	1/2	1/2	1/2	1/2	1/2	-	-	-	-	
	500	1/2	1/2	1/2	1/2	-	-	1/2	1/2	-	-	
Nomad 111 4x LED GE	350	1/4	1/4	1/4	1/4	1/4	1/4	-	-	-	-	
	500	1/4	1/4	1/4	1/4	-	-	1/4	1/4	-	-	
Nomad 2xLED AR 111	500	1	1	1	1	-	-	1	1	-	-	
	1050	-	-	-	-	-	-	-	-	-	-	
Placebo up/down LED GE	350	1	2	1	2	1	3	-	-	-	-	
	500	1	5	1	5	1	5	-	-	-	-	
Pupil LED GE	500	1	4	1	4	-	-	1	5	-	-	
	700	1	4	1	4	-	-	-	-	1	5	
Pupil warm dim LED GE	350	-	-	1	2	1	2	-	-	-	-	
	500	1	5	1	5	1	5	-	-	-	-	
Qbini fix/adjustable/asy 1x LED GE	500	1	4	1	4	-	-	1	5	-	-	
	350	1/2	2	1/2	2	1/2	2	-	-	-	-	
Qbini fix/adjustable/asy 2x LED GE	500	1/2	2	1/2	2	-	-	1/2	2	-	-	
	350	1/3	1	1/3	1	1/3	1	-	-	-	-	
Qbini fix/adjustable/asy 3x LED GE	500	1/3	1	1/3	1	-	-	1/3	1	-	-	
	350	1/4	1	1/4	1	1/4	1	-	-	-	-	
Qbini fix/adjustable/asy 4x LED GE	500	1/4	1	1/4	1	-	-	1/4	1	-	-	
	350	1	5	1	5	1	5	-	-	-	-	
Qbini fix/adjustable/asy trimless 1x LED GE	500	1	4	1	4	-	-	1	5	-	-	
	350	1/2	2	1/2	2	1/2	2	-	-	-	-	
Qbini fix/adjustable/asy trimless 2x LED GE	500	1/2	2	1/2	2	-	-	1/2	2	-	-	
	350	1/3	1	1/3	1	1/3	1	-	-	-	-	
Qbini fix/adjustable/asy trimless 3x LED GE	500	1/3	1	1/3	1	-	-	1/3	1	-	-	
	350	1/4	1	1/4	1	1/4	1	-	-	-	-	
Qbini fix/adjustable/asy trimless 4x LED GE	500	1/4	1	1/4	1	-	-	1/4	1	-	-	
	250	-	-	1	2	-	-	-	-	-	-	
Qbini fix/adjustable/asy trimless warm dim 1x LED GE	250	-	-	1/2	1	-	-	-	-	-	-	
	250	-	-	1/3	1/2	-	-	-	-	-	-	
Qbini fix/adjustable/asy trimless warm dim 2x LED GE	250	-	-	1/4	1/2	-	-	-	-	-	-	
	250	-	-	1	2	-	-	-	-	-	-	
Qbini fix/adjustable/asy warm dim 1x LED GE	250	-	-	1/2	1	-	-	-	-	-	-	
	250	-	-	1/3	1/2	-	-	-	-	-	-	
Qbini fix/adjustable/asy warm dim 2x LED GE	250	-	-	1/4	1/2	-	-	-	-	-	-	
	250	-	-	1/4	1/2	-	-	-	-	-	-	

12407830		12408330		12404530		12406530		12406830		12404730		12404030	
DALI/1-10V/PUSH		DALI/1-10V/PUSH		DALI/1-10V/PUSH		DALI/1-10V/PUSH		DALI/1-10V/PUSH		DALI/1-10V/PUSH		DALI/1-10V/PUSH	
124x79x22		124x79x22		124x79x22		124x79x22		124x79x22		161x83x35		129x79x30	
84		84		85		85		85		88		90	
1		1		1		1		1		1		1	
30		30		15		30		30		15		15	
min	max	min	max	min	max	min	max	min	max	min	max	min	max
1	3	1	3	1	3	1	2	1	2	1	2	-	-
1	3	1	3	1	2	1	2	1	2	1	2	-	-
1	3	1	3	-	-	1	1	1	1	-	-	-	-
1	3	1	3	1	3	1	2	1	2	1	2	-	-
1	3	1	3	1	2	1	2	1	2	1	2	-	-
1/2	1	1/2	1	1/2	1	1/2	1	1/2	1	1/2	1	-	-
1/2	1	1/2	1	1/2	1	1/2	1	1/2	1	1/2	1	-	-
1	3	1	3	-	-	1	1	1	1	-	-	-	-
1/2	1	1/2	1	-	-	1/2	1/2	1/2	1/2	-	-	-	-
2	5	2	5	1	5	1	3	1	3	1	3	-	-
1	5	1	5	1	5	1	3	1	3	1	3	-	-
1	2	1	2	1/2	2	1/2	1	1/2	1	1/2	1	-	-
1/2	2	1/2	2	1/2	2	1/2	1	1/2	1	1/2	1	-	-
1/2	1	1/2	1	1/3	1	1/3	1	1/3	1	1/3	1	-	-
1/3	1	1/3	1	1/3	1	1/3	1	1/3	1	1/3	1	-	-
1/2	1	1/2	1	1/4	1	1/4	1/2	1/4	1/2	1/4	1/2	-	-
1/4	1	1/4	1	1/4	1	1/4	1/2	1/4	1/2	1/4	1/2	-	-
2	6	2	6	1	6	1	4	1	4	1	3	-	-
1	6	1	6	1	5	1	3	1	3	1	3	-	-
2	6	2	6	1	6	1	4	1	4	1	3	-	-
1	6	1	6	1	5	1	3	1	3	1	3	-	-
2	5	2	5	1	5	1	3	1	3	1	3	-	-
1	5	1	5	1	5	1	3	1	3	1	3	-	-
2	6	2	6	-	-	1	3	1	3	-	-	-	-
1	3	1	3	1	3	1	2	1	2	1	2	-	-
1	3	1	3	1	2	1	2	1	2	1	2	-	-
1	2	1	2	1	1	1	1	1	1	1	1	-	-
1/2	1	1/2	1	1/2	1	1/2	1	1/2	1	1/2	1	-	-
1/2	1	1/2	1	1/2	1	1/2	1	1/2	1	1/2	1	-	-
1/2	1	1/2	1	1/2	1/2	1/2	1/2	1/2	1/2	1/2	1/2	-	-
1/4	1/2	1/4	1/2	1/4	1/2	1/4	1/2	1/4	1/2	1/4	1/2	-	-
1/4	1/2	1/4	1/2	1/4	1/2	1/4	1/2	1/4	1/2	1/4	1/2	-	-
1/4	1/2	1/4	1/2	1/4	1/4	1/4	1/4	1/4	1/4	1/4	1/4	-	-
1	3	1	3	1	2	1	1	1	1	1	1	-	-
-	-	-	-	-	-	1	1	1	1	1	1	1	1
2	6	2	6	1	6	1	3	1	3	1	3	-	-
3	11	3	11	1	11	1	7	1	7	1	7	-	-
1	11	1	11	1	10	1	7	1	7	1	7	-	-
1	8	1	8	1	6	1	7	1	7	1	6	-	-
2	6	2	6	-	-	1	3	1	3	-	-	-	-
3	11	3	11	1	11	1	7	1	7	1	7	-	-
1	11	1	11	1	10	1	7	1	7	1	7	-	-
1	5	1	5	1/2	5	1/2	3	1/2	3	1/2	3	-	-
1/2	5	1/2	5	1/2	5	1/2	3	1/2	3	1/2	3	-	-
1	3	1	3	1/3	3	1/3	2	1/3	2	1/3	2	-	-
1/3	3	1/3	3	1/3	3	1/3	2	1/3	2	1/3	2	-	-
1/2	2	1/2	2	1/4	2	1/4	1	1/4	1	1/4	1	-	-
1/4	2	1/4	2	1/4	2	1/4	1	1/4	1	1/4	1	-	-
3	11	3	11	1	11	1	7	1	7	1	7	-	-
1	11	1	11	1	10	1	7	1	7	1	7	-	-
1	5	1	5	1/2	5	1/2	3	1/2	3	1/2	3	-	-
1/2	5	1/2	5	1/2	5	1/2	3	1/2	3	1/2	3	-	-
1	3	1	3	1/3	3	1/3	2	1/3	2	1/3	2	-	-
1/3	3	1/3	3	1/3	3	1/3	2	1/3	2	1/3	2	-	-
1/2	2	1/2	2	1/4	2	1/4	1	1/4	1	1/4	1	-	-
1/4	2	1/4	2	1/4	2	1/4	1	1/4	1	1/4	1	-	-
2	6	2	6	-	-	-	-	-	-	-	-	-	-
1	3	1	3	-	-	-	-	-	-	-	-	-	-
1/2	2	1/2	2	-	-	-	-	-	-	-	-	-	-
1/2	1	1/2	1	-	-	-	-	-	-	-	-	-	-
2	6	2	6	-	-	-	-	-	-	-	-	-	-
1	3	1	3	-	-	-	-	-	-	-	-	-	-
1/2	2	1/2	2	-	-	-	-	-	-	-	-	-	-
1/2	1	1/2	1	-	-	-	-	-	-	-	-	-	-
2	6	2	6	-	-	-	-	-	-	-	-	-	-
1	3	1	3	-	-	-	-	-	-	-	-	-	-
1/2	2	1/2	2	-	-	-	-	-	-	-	-	-	-
1/2	1	1/2	1	-	-	-	-	-	-	-	-	-	-
1/2	1	1/2	1	-	-	-	-	-	-	-	-	-	-

Driver matrix - Dali dimmable (2)

(number of products allowed per driver)

DALI MIN. CUTOOUT HOLE Ø72/84/85/88/90 MM	12403230		12408130		11630630		11630730		11630830			
	DALI		DALI		DALI hybrid deepdim		DALI hybrid deepdim		DALI hybrid deepdim			
	Dimensions (LxWxH)		103x67x21		103x67x21		153x76.2x30.1		153x76.2x30.1		153x76.2x30.1	
	min. cutout hole		72		72		84		84		84	
	*Number of LED output channels		1		1		2		2		2	
Max drivers on MCB 16A type B		50		50		22		22		22		
FIXTURE	mA	min	max	min	max	min	max	min	max	min	max	
Obini general 2X LED GE	350	1	3	1	3	1	4	-	-	-	-	
	500	1	3	1	3	-	-	1	4	-	-	
Obini general 4X LED GE	350	1/2	1	1/2	1	1/2	2	-	-	-	-	
	500	1/2	1	1/2	1	-	-	1/2	2	-	-	
Rektor recessed LED GE	350	1	1	1	1	1	1	-	-	-	-	
	500	1	1	1	1	-	-	1	1	-	-	
Rektor recessed warm dim LED GE	350	-	-	1	1	1	1	-	-	-	-	
Scotty 270 adjustable LED GE	350	1	1	1	1	1	1	-	-	-	-	
Scotty 270 LED GE	350	1	1	1	1	1	1	-	-	-	-	
	500	1	1	1	1	-	-	1	1	-	-	
Shellby 176 trimless LED GE	350	1	2	1	2	1	3	-	-	-	-	
	500	1	2	1	2	-	-	1	2	-	-	
	700	1	2	1	2	-	-	-	-	1	2	
Shellby 176 trimless warm dim LED GE	350	-	-	1	1	1	1	-	-	-	-	
	350	1	2	1	2	1	3	-	-	-	-	
Shellby 184 LED GE	500	1	2	1	2	-	-	1	2	-	-	
	700	1	2	1	2	-	-	-	-	1	2	
	700	1	2	1	2	-	-	-	-	1	2	
Shellby 184 warm dim LED GE	350	-	-	1	1	1	1	-	-	-	-	
	350	1	2	1	2	1	2	-	-	-	-	
Slide IP54 LED GE	500	1	2	1	2	-	-	1	2	-	-	
	350	2	16	2	16	1	18	-	-	-	-	
	500	2	16	2	16	-	-	1	18	-	-	
Smart Cake / Kup / Lotis / (asy) 48 (IP54) LED GE	250	-	-	1	2	-	-	-	-	-	-	
	350	1	5	1	5	1	5	-	-	-	-	
Smart Cake / Kup / Lotis / + (asy) 48 (IP54) LED GE	500	1	4	1	4	-	-	1	5	-	-	
	350	-	-	1	2	1	2	-	-	-	-	
Smart Cake / Kup / Lotis 82 (adjustable) warm dim LED GE (IP54)	350	1	2	1	2	1	2	-	-	-	-	
	500	1	2	1	2	-	-	1	2	-	-	
	700	1	2	1	2	-	-	-	-	1	2	
Smart Cake / Kup / Lotis 82 (IP54) LED GE	350	1	2	1	2	1	2	-	-	-	-	
	500	1	2	1	2	-	-	1	2	-	-	
	700	1	2	1	2	-	-	-	-	1	2	
Smart Cake / Kup / Lotis 82 adjustable LED GE	350	1	2	1	2	1	2	-	-	-	-	
	500	1	2	1	2	-	-	1	2	-	-	
	700	1	2	1	2	-	-	-	-	1	2	
Smart Cake / Kup / Lotis 115 adjustable LED GE	350	1	2	1	2	-	-	1	2	-	-	
	500	1	2	1	2	-	-	-	-	1	2	
	700	1	2	1	2	-	-	-	-	1	2	
Smart Cake / Kup / Lotis 115 adjustable warm dim LED GE	350	-	-	1	1	1	1	-	-	-	-	
Smart Cake / Kup / Lotis 115 (diffuse) (IP54) LED GE	350	1	1	1	1	1	1	-	-	-	-	
	500	1	1	1	1	-	-	1	1	-	-	
	700	1	1	1	1	-	-	-	-	1	1	
	500	1	1	1	1	-	-	1	1	-	-	
Smart Cake/ Kup / Lotis 160 (diffuse) (IP54) LED GE	700	1	1	1	1	-	-	-	-	1	1	
	900	-	-	-	-	-	-	-	-	-	-	
	1050	-	-	-	-	-	-	-	-	-	-	
	1200	-	-	-	-	-	-	-	-	-	-	
	1400	-	-	-	-	-	-	-	-	-	-	
	350	1	1	1	1	1	1	-	-	-	-	
Stove LED GE	500	1	1	1	1	-	-	1	1	-	-	
	350	1	2	1	2	1	3	-	-	-	-	
Thimble 70 trimless (adjustable) LED GE	500	1	2	1	2	-	-	1	2	-	-	
	350	1	2	1	2	1	3	-	-	-	-	
Thimble 74 (adjustable) LED GE	500	1	2	1	2	-	-	1	2	-	-	
	350	1	2	1	2	1	2	-	-	-	-	
Wink 82 LED GE	500	1	2	1	2	-	-	1	2	-	-	
	350	1	1	1	1	1	1	-	-	-	-	
Wink 115 LED GE	500	1	1	1	1	-	-	1	1	-	-	
	700	1	1	1	1	-	-	-	-	1	1	

12407830		12408330		12404530		12406530		12406830		12404730		12404030	
DALI/1-10V/PUSH		DALI/1-10V/PUSH		DALI/1-10V/PUSH		DALI/1-10V/PUSH		DALI/1-10V/PUSH		DALI/1-10V/PUSH		DALI/1-10V/PUSH	
124x79x22		124x79x22		124x79x22		124x79x22		124x79x22		161x83x35		129x79x30	
84		84		85		85		85		88		90	
1		1		1		1		1		1		1	
30		30		15		30		30		15		15	
min	max	min	max	min	max	min	max	min	max	min	max	min	max
2	9	2	9	1	9	1	5	1	5	1	5	-	-
1	9	1	9	1	8	1	5	1	5	1	5	-	-
1	4	1	4	1/2	4	1/2	2	1/2	2	1/2	2	-	-
1/2	4	1/2	4	1/2	4	1/2	2	1/2	2	1/2	2	-	-
1	3	1	3	1	3	1	2	1	2	1	2	-	-
1	3	1	3	1	2	1	2	1	2	1	2	-	-
1	3	1	3	-	-	1	1	1	1	-	-	-	-
1	3	1	3	1	3	1	2	1	2	1	2	-	-
1	3	1	3	1	3	1	2	1	2	1	2	-	-
1	3	1	3	1	2	1	1	1	1	1	1	-	-
2	6	2	6	1	6	1	4	1	4	1	3	-	-
1	6	1	6	1	5	1	3	1	3	1	3	-	-
1	4	1	4	1	3	1	3	1	3	1	3	-	-
1	3	1	3	-	-	1	1	1	1	-	-	-	-
2	6	2	6	1	6	1	4	1	4	1	3	-	-
1	6	1	6	1	5	1	3	1	3	1	3	-	-
1	4	1	4	1	3	1	3	1	3	1	3	-	-
1	3	1	3	-	-	1	1	1	1	-	-	-	-
1	3	1	3	1	3	1	1	1	1	1	1	-	-
2	5	2	5	1	5	1	3	1	3	1	3	-	-
1	5	1	5	1	5	1	3	1	3	1	3	-	-
7	37	7	37	1	37	1	23	1	23	1	23	-	-
2	37	2	37	1	33	1	23	1	23	1	23	-	-
2	6	2	6	-	-	-	-	-	-	-	-	-	-
3	11	3	11	1	11	1	7	1	7	1	7	-	-
1	11	1	11	1	10	1	7	1	7	1	7	-	-
2	6	2	6	-	-	1	3	1	3	-	-	-	-
2	5	2	5	1	5	1	3	1	3	1	3	-	-
1	5	1	5	1	5	1	3	1	3	1	3	-	-
1	4	1	4	1	3	1	3	1	3	1	3	-	-
2	5	2	5	1	5	1	3	1	3	1	3	-	-
1	5	1	5	1	5	1	3	1	3	1	3	-	-
2	5	2	5	1	5	1	3	1	3	1	3	-	-
1	5	1	5	1	5	1	3	1	3	1	3	-	-
1	4	1	4	1	3	1	3	1	3	1	3	-	-
1	3	1	3	-	-	1	1	1	1	-	-	-	-
1	3	1	3	1	3	1	2	1	2	1	2	-	-
1	3	1	3	1	2	1	2	1	2	1	2	-	-
1	2	1	2	1	1	1	1	1	1	1	1	-	-
1	3	1	3	1	2	1	1	1	1	1	1	-	-
1	2	1	2	1	1	1	1	1	1	1	1	-	-
-	-	-	-	-	-	-	1	1	1	1	1	-	-
-	-	-	-	-	-	-	1	1	1	1	1	1	1
-	-	-	-	-	-	-	-	-	-	-	-	1	1
1	3	1	3	1	3	1	2	1	2	1	2	-	-
1	3	1	3	1	2	1	2	1	2	1	2	-	-
2	6	2	6	1	6	1	4	1	4	1	3	-	-
1	6	1	6	1	5	1	3	1	3	1	3	-	-
2	6	2	6	1	6	1	4	1	4	1	3	-	-
1	6	1	6	1	5	1	3	1	3	1	3	-	-
2	5	2	5	1	5	1	3	1	3	1	3	-	-
1	5	1	5	1	5	1	3	1	3	1	3	-	-
2	5	2	5	1	5	1	3	1	3	1	3	-	-
1	5	1	5	1	5	1	3	1	3	1	3	-	-
1	3	1	3	1	3	1	2	1	2	1	2	-	-
1	3	1	3	1	3	1	2	1	2	1	2	-	-
1	3	1	3	1	2	1	2	1	2	1	2	-	-
1	2	1	2	1	2	1	1	1	1	1	1	-	-

Driver matrix - push dimmable

(number of products allowed per driver)

PUSH	Dimensions (LxWxH)													
	12407730		12408030		12400330		12405430		12408230		12407830			
	1-10V/PUSH		1-10V/PUSH		MAINS/PUSH		1-10V/PUSH		1-10V/PUSH		DALI/1-10V/PUSH			
	110,4x52x22		110,4x52x22		166x46x34		103x67x21		103x67x21		124x79x22			
	min. cutout hole		55		55		56		72		72		84	
*Number of LED output channels														
Max drivers on MCB 16A type B														
50		50		50		50		50		50		30		
FIXTURE	mA	min	max	min	max	min	max	min	max	min	max	min	max	
Chapeau 206 LED GE	350	1	1	1	1	1	1	1	1	1	1	1	3	
	500	1	1	1	1	1	1	1	1	1	1	1	3	
Dent large LED GE	350	-	-	-	-	-	-	1	1	1	1	1	2	
Dent medium LED GE	350	-	-	-	-	-	-	1	1	1	1	1	2	
Dent small LED GE	350	1	2	1	2	1	2	1	2	1	2	1	4	
	350	1	2	1	2	1	2	1	2	1	2	2	5	
Duell recessed 1x LED GE	500	1	2	1	2	1	2	1	2	1	2	1	5	
	350	1/2	1	1/2	1	1/2	1	1/2	1	1/2	1	1	2	
Duell recessed 2x LED GE	500	1/2	1	1/2	1	1/2	1	1/2	1	1/2	1	1/2	2	
	350	1	2	1	2	1	2	1	2	1	2	2	5	
Hippy 110 IP67 LED GE	500	1	2	1	2	1	2	1	2	1	2	1	5	
	700	1	1	1	1	1	2	1	2	1	2	1	4	
	350	2	5	2	5	1	4	2	5	2	5	3	11	
Hollow 115 trimless LED GE	350	1	2	1	2	1	2	1	2	1	2	2	6	
	500	1	2	1	2	1	2	1	2	1	2	2	6	
Hollow 125 LED GE	350	1	2	1	2	1	2	1	2	1	2	2	6	
	500	1	2	1	2	1	2	1	2	1	2	1	6	
Julien IP54 LED GE	350	2	3	2	3	1	3	1	4	1	4	2	8	
	350	1	1	1	1	1	1	1	1	1	1	1	3	
K120 adjustable LED GE	500	1	1	1	1	1	1	1	1	1	1	1	3	
	700	-	-	-	-	1	1	1	1	1	1	1	2	
	350	1	2	1	2	1	2	1	2	1	2	2	5	
K72 IP54 LED GE	500	1	2	1	2	1	2	1	2	1	2	1	5	
	350	1	2	1	2	1	2	1	2	1	2	2	5	
K77 adjustable LED GE	500	1	2	1	2	1	2	1	2	1	2	1	5	
	350	1	2	1	2	1	2	1	2	1	2	1	5	
	700	1	1	1	1	1	2	1	2	1	2	1	4	
Kurk IP40 LED GE	500	1	1	1	1	1	2	1	2	1	2	1	5	
	700	1	1	1	1	1	2	1	2	1	2	1	4	
	350	1	2	1	2	1	2	1	2	1	2	1	5	
Kurk surface IP40 GE	500	1	1	1	1	1	2	1	2	1	2	1	5	
	700	1	1	1	1	1	2	1	2	1	2	1	4	
	350	1	2	1	2	1	2	1	2	1	2	2	5	
Lotis 82 (concrete) LED GE	500	1	2	1	2	1	2	1	2	1	2	1	5	
	350	1	2	1	2	1	2	1	2	1	2	2	5	
Lotis 86 IP55 LED GE	500	1	2	1	2	1	2	1	2	1	2	2	5	
	350	1	2	1	2	1	2	1	2	1	2	1	5	
Lotis 97 (concrete) adjustable LED GE	500	1	2	1	2	1	2	1	2	1	2	1	5	
	350	1	2	1	2	1	2	1	2	1	2	2	5	
Lotis square (IP55) LED GE	500	1	2	1	2	1	2	1	2	1	2	1	5	
	350	1	2	1	2	1	2	1	2	1	2	1	5	
	700	1	1	1	1	1	2	1	2	1	2	1	4	
Marbul recessed 1x LED GE	500	1	2	1	2	1	2	1	2	1	2	1	5	
	350	1/2	1	1/2	1	1/2	1	1/2	1	1/2	1	1	2	
Marbul recessed 2x LED GE	500	1/2	1	1/2	1	1/2	1	1/2	1	1/2	1	1/2	2	
	350													
Marbul recessed warm dim 1x LED GE	350													
	500	1	2	1	2	1	2	1	2	1	2	2	5	
Marbul suspension (adjustable) LED GE	500	1	2	1	2	1	2	1	2	1	2	1	5	
	350	1	1	1	1	-	-	-	-	1	1	1	3	
Marbul suspension (adjustable) warm dim LED GE	350	1	1	1	1	-	-	-	-	1	1	1	3	
	500	1	1	1	1	1	1	1	1	1	1	1	3	
Marcel 1x LED GE	500	1	1	1	1	1	1	1	1	1	1	1	3	
	700	-	-	-	-	1	1	1	1	1	1	1	2	
	350	1/2	1/2	1/2	1/2	1/2	1/2	1/2	1/2	1/2	1/2	1/2	1	
Marcel 2x LED GE	500	1/2	1/2	1/2	1/2	1/2	1/2	1/2	1/2	1/2	1/2	1/2	1	
	700	-	-	-	-	1/2	1/2	1/2	1/2	1/2	1/2	1/2	1	
	350	1/3	1/3	1/3	1/3	1/3	1/3	1/3	1/3	1/3	1/3	1/3	1	
Marcel 3x LED GE	500	1/3	1/3	1/3	1/3	1/3	1/3	1/3	1/3	1/3	1/3	1/3	1	
	700	-	-	-	-	1/3	1/3	1/3	1/3	1/3	1/3	1/3	1/2	
	350	2	5	2	5	1	4	2	5	2	5	3	11	
Médard 42 recessed LED GE	500	1	4	1	4	1	4	1	5	1	5	1	11	
	350	1	2	1	2	-	-	-	-	1	2	2	6	
Médard 42 recessed warm dim LED GE	350	1	2	1	2	1	2	1	2	1	2	2	6	
	500	1	2	1	2	1	2	1	2	1	2	1	6	
Médard 42 semi-recessed LED GE	700	1	1	1	1	1	2	1	2	1	2	1	4	
	350	1	2	1	2	-	-	-	-	1	2	2	6	
Médard 42 semi-recessed warm dim LED GE	350	1	2	1	2	1	2	1	2	1	2	2	5	
	500	1	2	1	2	1	2	1	2	1	2	1	5	
Médard 70 recessed LED GE	700	1	1	1	1	1	2	1	2	1	2	1	4	
	350	1	1	1	1	-	-	-	-	1	1	1	3	

12408330		12404530		12406530		12406630		12406730		12406830		12404730		12405730		12404030	
DALI/1-10V/PUSH		DALI/1-10V/PUSH		DALI/1-10V/PUSH		1-10V/PUSH		1-10V/PUSH		DALI/1-10V/PUSH		DALI/1-10V/PUSH		MAINS/PUSH		DALI/1-10V/PUSH	
124x79x22		124x79x22		124x79x22		124x79x22		124x79x22		124x79x22		161x83x35		163x83x35		129x79x30	
84		85		85		85		85		85		88		88		90	
1		1		1		1		1		1		1		1		1	
30		15		30		15		15		30		15		30		15	
min	max	min	max	min	max	min	max	min	max	min	max	min	max	min	max	min	max
1	3	1	3	1	2	1	2	1	2	1	2	1	2	-	-	-	-
1	3	1	2	1	2	1	2	1	2	1	2	1	2	-	-	-	-
1	2	1	2	1	1	1	1	1	1	1	1	1	1	-	-	-	-
1	2	1	2	1	1	1	1	1	1	1	1	1	1	-	-	-	-
1	4	1	4	1	3	1	3	1	3	1	3	1	3	-	-	-	-
2	5	1	5	1	3	1	3	1	3	1	3	1	3	-	-	-	-
1	5	1	5	1	3	1	3	1	3	1	3	1	3	-	-	-	-
1	2	1/2	2	1/2	1	1/2	1	1/2	1	1/2	1	1/2	1	-	-	-	-
1/2	2	1/2	2	1/2	1	1/2	1	1/2	1	1/2	1	1/2	1	-	-	-	-
2	5	1	5	1	3	1	3	1	3	1	3	1	3	-	-	-	-
1	5	1	5	1	3	1	3	1	3	1	3	1	3	-	-	-	-
1	4	1	3	1	3	1	3	1	3	1	3	1	3	-	-	-	-
3	11	1	11	1	7	1	7	1	7	1	7	1	7	-	-	-	-
2	6	1	6	1	4	1	4	1	4	1	4	1	4	-	-	-	-
1	6	1	5	1	3	1	3	1	3	1	3	1	3	-	-	-	-
2	6	1	6	1	4	1	4	1	4	1	4	1	4	-	-	-	-
1	6	1	5	1	3	1	3	1	3	1	3	1	3	-	-	-	-
2	8	1	8	1	5	1	5	1	5	1	5	1	5	-	-	-	-
1	3	1	3	1	2	1	2	1	2	1	2	1	2	-	-	-	-
1	3	1	2	1	1	1	1	1	1	1	1	1	1	-	-	-	-
1	2	1	1	1	1	1	1	1	1	1	1	1	1	-	-	-	-
2	5	1	5	1	3	1	3	1	3	1	3	1	3	-	-	-	-
1	5	1	5	1	3	1	3	1	3	1	3	1	3	-	-	-	-
2	5	1	5	1	3	1	3	1	3	1	3	1	3	-	-	-	-
2	5	1	5	1	3	1	3	1	3	1	3	1	3	-	-	-	-
1	5	1	5	1	3	1	3	1	3	1	3	1	3	-	-	-	-
1	5	1	4	1	3	1	3	1	3	1	3	1	3	-	-	-	-
1	4	1	3	1	3	1	3	1	3	1	3	1	3	-	-	-	-
1	5	1	5	1	3	1	3	1	3	1	3	1	3	-	-	-	-
1	5	1	4	1	3	1	3	1	3	1	3	1	3	-	-	-	-
1	4	1	3	1	3	1	3	1	3	1	3	1	3	-	-	-	-
2	5	1	5	1	3	1	3	1	3	1	3	1	3	-	-	-	-
1	5	1	5	1	3	1	3	1	3	1	3	1	3	-	-	-	-
2	5	1	5	1	3	1	3	1	3	1	3	1	3	-	-	-	-
1	5	1	5	1	3	1	3	1	3	1	3	1	3	-	-	-	-
2	5	1	5	1	3	1	3	1	3	1	3	1	3	-	-	-	-
1	5	1	5	1	3	1	3	1	3	1	3	1	3	-	-	-	-
1	5	1	5	1	3	1	3	1	3	1	3	1	3	-	-	-	-
1	2	1/2	2	1/2	1	1/2	1	1/2	1	1/2	1	1/2	1	-	-	-	-
1/2	2	1/2	2	1/2	1	1/2	1	1/2	1	1/2	1	1/2	1	-	-	-	-
2	5	1	5	1	3	1	3	1	3	1	3	1	3	-	-	-	-
1	5	1	5	1	3	1	3	1	3	1	3	1	3	-	-	-	-
1	3	-	-	1	1	1	1	1	1	1	1	1	1	-	-	-	-
1	3	-	-	1	1	1	1	1	1	1	1	1	1	-	-	-	-
1	3	1	3	1	2	1	2	1	2	1	2	1	2	-	-	-	-
1	3	1	2	1	1	1	1	1	1	1	1	1	1	-	-	-	-
1	2	1	1	1	1	1	1	1	1	1	1	1	1	-	-	-	-
1/2	1	1/2	1	1/2	1	1/2	1	1/2	1	1/2	1	1/2	1	-	-	-	-
1/2	1	1/2	1	1/2	1/2	1/2	1/2	1/2	1/2	1/2	1/2	1/2	1/2	-	-	-	-
1/3	1	1/3	1	1/3	1/2	1/3	1/2	1/3	1/2	1/3	1/2	1/3	1/2	-	-	-	-
1/3	1	1/3	1/2	1/3	1/3	1/3	1/3	1/3	1/3	1/3	1/3	1/3	1/3	-	-	-	-
1/3	1/2	1/3	1/3	1/3	1/3	1/3	1/3	1/3	1/3	1/3	1/3	1/3	1/3	-	-	-	-
3	11	1	11	1	7	1	7	1	7	1	7	1	7	-	-	-	-
1	11	1	10	1	7	1	7	1	7	1	7	1	7	-	-	-	-
2	6	-	-	1	3	1	3	1	3	1	3	-	-	-	-	-	-
2	6	1	6	1	4	1	4	1	4	1	4	1	4	-	-	-	-
1	6	1	5	1	3	1	3	1	3	1	3	1	3	-	-	-	-
1	4	1	3	1	3	1	3	1	3	1	3	1	3	-	-	-	-
2	6	-	-	1	3	1	3	1	3	1	3	-	-	-	-	-	-
2	5	1	5	1	3	1	3	1	3	1	3	1	3	-	-	-	-
1	5	1	5	1	3	1	3	1	3	1	3	1	3	-	-	-	-
1	4	1	3	1	3	1	3	1	3	1	3	1	3	-	-	-	-
1	3	-	-	1	1	1	1	1	1	1	1	-	-	-	-	-	-

Driver matrix - push dimmable

(number of products allowed per driver)

PUSH	12407730		12408030		12400330		12405430		12408230		12407830			
	1-10V/PUSH		1-10V/PUSH		MAINS/PUSH		1-10V/PUSH		1-10V/PUSH		DALI/1-10V/PUSH			
	Dimensions (LxWxH)		110,4x52x22		110,4x52x22		166x46x34		103x67x21		103x67x21		124x79x22	
	min. cutout hole		55		55		56		72		72		84	
	*Number of LED output channels		1		1		1		1		1		1	
Max drivers on MCB 16A type B		50		50		50		50		50		30		
FIXTURE	mA	min	max	min	max	min	max	min	max	min	max	min	max	
Médard 70 semi-recessed LED GE	350	1	1	1	1	1	1	1	1	1	1	1	3	
	500	1	1	1	1	1	1	1	1	1	1	1	3	
Médard 70 semi-recessed warm dim LED GE	350	1	1	1	1	-	-	-	-	1	1	1	3	
	350	1	1	1	1	1	1	1	1	1	1	1	3	
Médard 70 stretched semi-recessed 1x LED GE	350	1	1	1	1	1	1	1	1	1	1	1	3	
	500	1	1	1	1	1	1	1	1	1	1	1	3	
Médard 70 stretched semi-recessed 2x LED GE	350	1/2	1/2	1/2	1/2	1/2	1/2	1/2	1/2	1/2	1/2	1/2	1	
	500	1/2	1/2	1/2	1/2	1/2	1/2	1/2	1/2	1/2	1/2	1/2	1	
Médard 70 stretched semi-recessed warm dim 1x LED GE	350	1	1	1	1	-	-	-	-	1	1	1	3	
Médard 70 stretched semi-recessed warm dim 2x LED GE	350	1/2	1/2	1/2	1/2	-	-	-	-	1/2	1/2	1/2	1	
Mini-multiple 1x LED GE	350	1	2	1	2	1	2	1	2	1	2	2	5	
	500	1	2	1	2	1	2	1	2	1	2	1	5	
Mini-multiple 2x LED GE	350	1/2	1	1/2	1	1/2	1	1/2	1	1/2	1	1	2	
	500	1/2	1	1/2	1	1/2	1	1/2	1	1/2	1	1/2	2	
Mini-multiple 3x LED GE	350	1/3	1/2	1/3	1/2	1/3	1/2	1/3	1/2	1/3	1/2	1/2	1	
	500	1/3	1/2	1/3	1/2	1/3	1/2	1/3	1/2	1/3	1/2	1/3	1	
Mini-multiple 4x LED GE	350	1/4	1/2	1/4	1/2	1/4	1/2	1/4	1/2	1/4	1/2	1/2	1	
	500	1/4	1/2	1/4	1/2	1/4	1/2	1/4	1/2	1/4	1/2	1/4	1	
Minute 45 ceiling recessed adjustable LED GE	350	1	2	1	2	1	2	1	2	1	2	2	6	
	500	1	2	1	2	1	2	1	2	1	2	1	6	
Minute 45 suspension LED GE	350	1	2	1	2	1	2	1	2	1	2	2	6	
	500	1	2	1	2	1	2	1	2	1	2	1	6	
M-LED 50 GE	350	1	2	1	2	1	2	1	2	1	2	2	5	
	500	1	2	1	2	1	2	1	2	1	2	1	5	
M-LED 50 warm dim GE	350	1	2	1	2	-	-	-	-	1	2	2	6	
M-LED 70 GE	350	1	2	1	2	1	2	1	2	1	2	2	5	
	500	1	2	1	2	1	2	1	2	1	2	1	5	
M-LED 70 warm dim GE	350	1	2	1	2	-	-	-	-	1	2	2	6	
	350	1	1	1	1	1	1	1	1	1	1	1	3	
M-LED 111 GE	500	1	1	1	1	1	1	1	1	1	1	1	3	
	700	-	-	-	-	1	1	1	1	1	1	1	2	
	350	1/2	1/2	1/2	1/2	1/2	1/2	1/2	1/2	1/2	1/2	1/2	1	
Nomad 111 2x LED GE	500	1/2	1/2	1/2	1/2	1/2	1/2	1/2	1/2	1/2	1/2	1/2	1	
	700	-	-	-	-	1/2	1/2	1/2	1/2	1/2	1/2	1/2	1	
	350	1/4	1/4	1/4	1/4	1/4	1/4	1/4	1/4	1/4	1/4	1/4	1/2	
Nomad 111 4x LED GE	500	1/4	1/4	1/4	1/4	1/4	1/4	1/4	1/4	1/4	1/4	1/4	1/2	
	700	-	-	-	-	1/4	1/4	1/4	1/4	1/4	1/4	1/4	1/2	
	500	1	1	1	1	1	1	1	1	1	1	1	3	
Nomad 2xLED AR 111	1050	-	-	-	-	-	-	-	-	-	-	-	-	
Placebo up/down LED GE	350	1	2	1	2	1	2	1	2	1	2	2	6	
	350	2	5	2	5	1	4	2	5	2	5	3	11	
Pupil LED GE	500	1	4	1	4	1	4	1	5	1	5	1	11	
	700	1	2	1	2	1	4	1	4	1	4	1	8	
Pupil warm dim LED GE	350	1	2	1	2	-	-	-	-	1	2	2	6	
Obini fix/adjustable/asy 1x LED GE	350	2	5	2	5	1	4	2	5	2	5	3	11	
	500	1	4	1	4	1	4	1	5	1	5	1	11	
Obini fix/adjustable/asy 2x LED GE	350	1	2	1	2	1/2	2	1	2	1	2	1	5	
	500	1/2	2	1/2	2	1/2	2	1/2	2	1/2	2	1/2	5	
Obini fix/adjustable/asy 3x LED GE	350	1/2	1	1/2	1	1/3	1	1/2	1	1/2	1	1	3	
	500	1/3	1	1/3	1	1/3	1	1/3	1	1/3	1	1/3	3	
Obini fix/adjustable/asy 4x LED GE	350	1/2	1	1/2	1	1/4	1	1/2	1	1/2	1	1/2	2	
	500	1/4	1	1/4	1	1/4	1	1/4	1	1/4	1	1/4	2	
Obini fix/adjustable/asy trimless 1x LED GE	350	2	5	2	5	1	4	2	5	2	5	3	11	
	500	1	4	1	4	1	4	1	5	1	5	1	11	
Obini fix/adjustable/asy trimless 2x LED GE	350	1	2	1	2	1/2	2	1	2	1	2	1	5	
	500	1/2	2	1/2	2	1/2	2	1/2	2	1/2	2	1/2	5	
Obini fix/adjustable/asy trimless 3x LED GE	350	1/2	1	1/2	1	1/3	1	1/2	1	1/2	1	1	3	
	500	1/3	1	1/3	1	1/3	1	1/3	1	1/3	1	1/3	3	
Obini fix/adjustable/asy trimless 4x LED GE	350	1/2	1	1/2	1	1/4	1	1/2	1	1/2	1	1/2	2	
	500	1/4	1	1/4	1	1/4	1	1/4	1	1/4	1	1/4	2	
Obini fix/adjustable/asy trimless warm dim 1x LED GE	250	2	3	2	3	-	-	-	-	1	3	2	6	
Obini fix/adjustable/asy trimless warm dim 2x LED GE	250	1	1	1	1	-	-	-	-	1/2	1	1	3	
Obini fix/adjustable/asy trimless warm dim 3x LED GE	250	1/2	1	1/2	1	-	-	-	-	1/3	1	1/2	2	
Obini fix/adjustable/asy trimless warm dim 4x LED GE	250	1/2	1/2	1/2	1/2	-	-	-	-	1/4	1/2	1/2	1	
Obini fix/adjustable/asy warm dim 1x LED GE	250	2	3	2	3	-	-	-	-	1	3	2	6	
Obini fix/adjustable/asy warm dim 2x LED GE	250	1	1	1	1	-	-	-	-	1/2	1	1	3	
Obini fix/adjustable/asy warm dim 3x LED GE	250	1/2	1	1/2	1	-	-	-	-	1/3	1	1/2	2	
Obini fix/adjustable/asy warm dim 4x LED GE	250	1/2	1/2	1/2	1/2	-	-	-	-	1/4	1/2	1/2	1	

Driver matrix - push dimmable

(number of products allowed per driver)

PUSH	12407730		12408030		12400330		12405430		12408230		12407830			
	1-10V/PUSH		1-10V/PUSH		MAINS/PUSH		1-10V/PUSH		1-10V/PUSH		DALI/1-10V/PUSH			
	Dimensions (LxWxH)		110,4x52x22		110,4x52x22		166x46x34		103x67x21		103x67x21		124x79x22	
	min. cutout hole		55		55		56		72		72		84	
	*Number of LED output channels		1		1		1		1		1		1	
Max drivers on MCB 16A type B		50		50		50		50		50		30		
FIXTURE	mA	min	max	min	max	min	max	min	max	min	max	min	max	
Obini general 2X LED GE	350	2	4	2	4	1	3	1	4	1	4	2	9	
	500	1	3	1	3	1	3	1	4	1	4	1	9	
Obini general 4X LED GE	350	1	2	1	2	1/2	1	1/2	2	1/2	2	1	4	
	500	1/2	1	1/2	1	1/2	1	1/2	2	1/2	2	1/2	4	
Rektor recessed LED GE	350	1	1	1	1	1	1	1	1	1	1	1	3	
	500	1	1	1	1	1	1	1	1	1	1	1	3	
Rektor recessed warm dim LED GE	350	1	1	1	1	-	-	-	-	1	1	1	3	
Scotty 270 adjustable LED GE	350	1	1	1	1	1	1	1	1	1	1	1	3	
Scotty 270 LED GE	350	1	1	1	1	1	1	1	1	1	1	1	3	
	500	1	1	1	1	1	1	1	1	1	1	1	3	
Shellby 176 trimless LED GE	350	1	2	1	2	1	2	1	2	1	2	2	6	
	500	1	2	1	2	1	2	1	2	1	2	1	6	
Shellby 176 trimless warm dim LED GE	700	1	1	1	1	1	2	1	2	1	2	1	4	
	350	1	1	1	1	-	-	-	-	1	1	1	3	
Shellby 184 LED GE	350	1	2	1	2	1	2	1	2	1	2	2	6	
	500	1	2	1	2	1	2	1	2	1	2	1	6	
Shellby 184 warm dim LED GE	700	1	1	1	1	1	2	1	2	1	2	1	4	
	350	1	1	1	1	-	-	-	-	1	1	1	3	
Slide IP54 LED GE	350	1	2	1	2	1	2	1	2	1	2	2	5	
	500	1	2	1	2	1	2	1	2	1	2	1	5	
Smart Cake / Kup / Lotis / (asy) 48 (IP54) LED GE	350	5	16	5	16	1	15	4	17	4	17	7	37	
	500	2	13	2	13	1	15	1	16	1	16	2	37	
Smart Cake / Kup / Lotis / (asy) 48 warm dim (IP55) LED GE	250	2	3	2	3	-	-	-	-	1	3	2	6	
Smart Cake / Kup / Lotis /+ (asy) 48 (IP54) LED GE	350	2	5	2	5	1	4	2	5	2	5	3	11	
	500	1	4	1	4	1	4	1	5	1	5	1	11	
Smart Cake / Kup / Lotis 82 (adjustable) warm dim LED GE (IP54)	350	1	2	1	2	-	-	-	-	1	2	2	6	
	500	1	2	1	2	1	2	1	2	1	2	2	5	
Smart Cake / Kup / Lotis 82 (IP54) LED GE	500	1	2	1	2	1	2	1	2	1	2	1	5	
	700	1	1	1	1	1	2	1	2	1	2	1	4	
	350	1	2	1	2	1	2	1	2	1	2	2	5	
Smart Cake / Kup / Lotis 82 adjustable LED GE	500	1	2	1	2	1	2	1	2	1	2	1	5	
	350	1	2	1	2	1	2	1	2	1	2	2	5	
Smart Cake / Kup / Lotis 115 adjustable LED GE	500	1	2	1	2	1	2	1	2	1	2	1	5	
	700	1	1	1	1	1	2	1	2	1	2	1	4	
Smart Cake / Kup / Lotis 115 adjustable warm dim LED GE	350	1	1	1	1	-	-	-	-	1	1	1	3	
	500	1	1	1	1	1	1	1	1	1	1	1	3	
Smart Cake / Kup / Lotis 115 (diffuse) (IP54) LED GE	500	1	1	1	1	1	1	1	1	1	1	1	3	
	700	-	-	-	-	1	1	1	1	1	1	1	2	
	500	1	1	1	1	1	1	1	1	1	1	1	3	
	700	-	-	-	-	1	1	1	1	1	1	1	2	
	900	-	-	-	-	-	-	-	-	-	-	-	-	
	1400	-	-	-	-	-	-	-	-	-	-	-	-	
Stove LED GE	350	1	1	1	1	1	1	1	1	1	1	1	3	
	500	1	1	1	1	1	1	1	1	1	1	1	3	
Thimble 70 trimless (adjustable) LED GE	350	1	2	1	2	1	2	1	2	1	2	2	6	
	500	1	2	1	2	1	2	1	2	1	2	1	6	
Thimble 74 (adjustable) LED GE	350	1	2	1	2	1	2	1	2	1	2	2	6	
	500	1	2	1	2	1	2	1	2	1	2	1	6	
Wink 82 LED GE	350	1	2	1	2	1	2	1	2	1	2	2	5	
	500	1	2	1	2	1	2	1	2	1	2	1	5	
Wink 115 LED GE	350	1	1	1	1	1	1	1	1	1	1	1	3	
	500	1	1	1	1	1	1	1	1	1	1	1	3	
	700	-	-	-	-	1	1	1	1	1	1	1	2	

12408330		12404530		12406530		12406630		12406730		12406830		12404730		12405730		12404030	
DALI/1-10V/PUSH		DALI/1-10V/PUSH		DALI/1-10V/PUSH		1-10V/PUSH		1-10V/PUSH		DALI/1-10V/PUSH		DALI/1-10V/PUSH		MAINS/PUSH		DALI/1-10V/PUSH	
124x79x22		124x79x22		124x79x22		124x79x22		124x79x22		124x79x22		161x83x35		163x83x35		129x79x30	
84		85		85		85		85		85		88		88		90	
1		1		1		1		1		1		1		1		1	
30		15		30		15		15		30		15		30		15	
min	max	min	max	min	max	min	max	min	max	min	max	min	max	min	max	min	max
2	9	1	9	1	5	1	5	1	5	1	5	1	5	-	-	-	-
1	9	1	8	1	5	1	5	1	5	1	5	1	5	-	-	-	-
1	4	1/2	4	1/2	2	1/2	2	1/2	2	1/2	2	1/2	2	-	-	-	-
1/2	4	1/2	4	1/2	2	1/2	2	1/2	2	1/2	2	1/2	2	-	-	-	-
1	3	1	3	1	2	1	2	1	2	1	2	1	2	-	-	-	-
1	3	1	2	1	2	1	2	1	2	1	2	1	2	-	-	-	-
1	3	-	-	1	1	1	1	1	1	1	1	-	-	-	-	-	-
1	3	1	3	1	2	1	2	1	2	1	2	1	2	-	-	-	-
1	3	1	3	1	2	1	2	1	2	1	2	1	2	-	-	-	-
1	3	1	2	1	1	1	1	1	1	1	1	1	1	-	-	-	-
2	6	1	6	1	4	1	4	1	4	1	4	1	3	-	-	-	-
1	6	1	5	1	3	1	3	1	3	1	3	1	3	-	-	-	-
1	4	1	3	1	3	1	3	1	3	1	3	1	3	-	-	-	-
1	3	-	-	1	1	1	1	1	1	1	1	-	-	-	-	-	-
2	6	1	6	1	4	1	4	1	4	1	4	1	3	-	-	-	-
1	6	1	5	1	3	1	3	1	3	1	3	1	3	-	-	-	-
1	4	1	3	1	3	1	3	1	3	1	3	1	3	-	-	-	-
1	3	-	-	1	1	1	1	1	1	1	1	-	-	-	-	-	-
2	5	1	5	1	3	1	3	1	3	1	3	1	3	-	-	-	-
1	5	1	5	1	3	1	3	1	3	1	3	1	3	-	-	-	-
7	37	1	37	1	23	1	23	1	23	1	23	1	23	-	-	-	-
2	37	1	33	1	23	1	23	1	23	1	23	1	23	-	-	-	-
2	6	-	-	-	-	-	-	-	-	-	-	-	-	-	-	-	-
3	11	1	11	1	7	1	7	1	7	1	7	1	7	-	-	-	-
1	11	1	10	1	7	1	7	1	7	1	7	1	7	-	-	-	-
2	6	-	-	1	3	1	3	1	3	1	3	-	-	-	-	-	-
2	5	1	5	1	3	1	3	1	3	1	3	1	3	-	-	-	-
1	5	1	5	1	3	1	3	1	3	1	3	1	3	-	-	-	-
1	4	1	3	1	3	1	3	1	3	1	3	1	3	-	-	-	-
2	5	1	5	1	3	1	3	1	3	1	3	1	3	-	-	-	-
1	5	1	5	1	3	1	3	1	3	1	3	1	3	-	-	-	-
2	5	1	5	1	3	1	3	1	3	1	3	1	3	-	-	-	-
1	5	1	5	1	3	1	3	1	3	1	3	1	3	-	-	-	-
1	4	1	3	1	3	1	3	1	3	1	3	1	3	-	-	-	-
1	3	-	-	1	1	1	1	1	1	1	1	-	-	-	-	-	-
1	3	1	3	1	2	1	2	1	2	1	2	1	2	-	-	-	-
1	3	1	2	1	2	1	2	1	2	1	2	1	2	-	-	-	-
1	2	1	1	1	1	1	1	1	1	1	1	1	1	-	-	-	-
1	3	1	2	1	1	1	1	1	1	1	1	1	1	-	-	-	-
1	2	1	1	1	1	1	1	1	1	1	1	1	1	-	-	-	-
-	-	-	-	1	1	1	1	1	1	1	1	1	1	-	-	-	-
-	-	-	-	1	1	1	1	1	1	1	1	1	1	1	1	1	1
-	-	-	-	-	-	-	-	-	-	-	-	-	-	1	1	1	1
-	-	-	-	-	-	-	-	-	-	-	-	-	-	-	-	1	1
1	3	1	3	1	2	1	2	1	2	1	2	1	2	-	-	-	-
1	3	1	2	1	2	1	2	1	2	1	2	1	2	-	-	-	-
2	6	1	6	1	4	1	4	1	4	1	4	1	3	-	-	-	-
1	6	1	5	1	3	1	3	1	3	1	3	1	3	-	-	-	-
2	6	1	6	1	4	1	4	1	4	1	4	1	3	-	-	-	-
1	6	1	5	1	3	1	3	1	3	1	3	1	3	-	-	-	-
2	5	1	5	1	3	1	3	1	3	1	3	1	3	-	-	-	-
1	5	1	5	1	3	1	3	1	3	1	3	1	3	-	-	-	-
1	3	1	3	1	2	1	2	1	2	1	2	1	2	-	-	-	-
1	3	1	2	1	2	1	2	1	2	1	2	1	2	-	-	-	-
1	2	1	1	1	1	1	1	1	1	1	1	1	1	-	-	-	-

Driver matrix - Casambi

(number of products allowed per driver)

CASAMBI		13470030			13470130	
		Casambi			Casambi	
Dimensions (LxWxH)		147x44x30			124x79x22	
min. cutout hole		54			84	
*Number of LED output channels		1			1	
Max drivers on MCB 16A type B		50			30	
FIXTURE	mA	min	max	min	max	
Chapeau 206 LED GE	350	1	1	1	2	
	500	1	1	1	2	
Dent large LED GE	350	1	1	1	1	
Dent medium LED GE	350	1	1	1	1	
Dent small LED GE	350	1	2	1	3	
Duell recessed 1x LED GE	350	1	2	1	3	
	500	1	2	1	3	
Duell recessed 2x LED GE	350	1/2	1	1/2	1	
	500	1/2	1	1/2	1	
Hippy 110 IP67 LED GE	350	1	2	1	3	
	500	1	2	1	3	
Hippy 70 IP67 LED GE	700	1	2	1	3	
	350	2	5	1	7	
Hollow 115 trimless LED GE	350	1	3	1	4	
	500	1	2	1	3	
Hollow 125 LED GE	350	1	3	1	4	
	500	1	2	1	3	
Julien IP54 LED GE	350	1	4	1	5	
	350	1	1	1	2	
K120 adjustable LED GE	500	1	1	1	1	
	700	1	1	1	1	
	350	1	2	1	3	
K72 IP54 LED GE	500	1	2	1	3	
	350	1	2	1	3	
K77 adjustable LED GE	500	1	2	1	3	
	350	1	2	1	3	
Kurk IP40 LED GE	500	1	2	1	3	
	700	1	2	1	3	
	350	1	2	1	3	
Kurk surface IP40 GE	500	1	2	1	3	
	700	1	2	1	3	
Lotis 82 (concrete) LED GE	350	1	2	1	3	
	500	1	2	1	3	
Lotis 86 IP55 LED GE	350	1	2	1	3	
	500	1	2	1	3	
Lotis 97 (concrete) adjustable LED GE	350	1	2	1	3	
	500	1	2	1	3	
Lotis square (IP55) LED GE	350	1	2	1	3	
	500	1	2	1	3	
Marbul recessed 1x LED GE	350	1	2	1	3	
	500	1	2	1	3	
Marbul recessed 2x LED GE	350	1/2	1	1/2	1	
	500	1/2	1	1/2	1	
Marbul recessed warm dim 1x LED GE	350	1	1	1	1	
	350	1/2	1/2	1/2	1/2	
Marbul suspension (adjustable) LED GE	350	1	2	1	3	
	500	1	2	1	3	
Marbul suspension (adjustable) warm dim LED GE	350	1	1	1	1	
	350	1	1	1	1	
Marcel 1x LED GE	350	1	1	1	2	
	500	1	1	1	1	
Marcel 2x LED GE	700	1	1	1	1	
	350	1/2	1/2	1/2	1	
	500	1/2	1/2	1/2	1/2	
Marcel 3x LED GE	700	1/2	1/2	1/2	1/2	
	350	1/3	1/3	1/3	1/2	
	500	1/3	1/3	1/3	1/3	
Médard 42 recessed LED GE	700	1/3	1/3	1/3	1/3	
	350	2	5	1	7	
Médard 42 recessed warm dim LED GE	500	2	5	1	7	
	350	1	2	1	3	
Médard 42 semi-recessed LED GE	350	1	3	1	4	
	500	1	2	1	3	
Médard 42 semi-recessed warm dim LED GE	700	1	2	1	3	
	350	1	2	1	3	

Driver matrix - Casambi

(number of products allowed per driver)

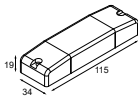

CASAMBI		13470030		13470130	
		Casambi		Casambi	
Dimensions (LxWxH)		147x44x30		124x79x22	
min. cutout hole		54		84	
*Number of LED output channels		1		1	
Max drivers on MCB 16A type B		50		30	
FIXTURE	mA	min	max	min	max
Médard 70 recessed LED GE	350	1	2	1	3
	500	1	2	1	3
Médard 70 recessed warm dim LED GE	700	1	2	1	3
	350	1	1	1	1
Médard 70 semi-recessed LED GE	350	1	1	1	2
	500	1	1	1	2
Médard 70 semi-recessed warm dim LED GE	350	1	1	1	1
	350	1	1	1	2
Médard 70 stretched semi-recessed 1X LED GE	500	1	1	1	2
	350	1/2	1/2	1/2	1
Médard 70 stretched semi-recessed 2X LED GE	500	1/2	1/2	1/2	1
	350	1	1	1	1
Médard 70 stretched semi-recessed warm dim 1X LED GE	350	1	1	1	1
	350	1/2	1/2	1/2	1/2
Médard 70 stretched semi-recessed warm dim 2X LED GE	350	1	2	1	3
	500	1	2	1	3
Mini-multiple 1x LED GE	350	1/2	1	1/2	1
	500	1/2	1	1/2	1
Mini-multiple 2x LED GE	350	1/3	1/2	1/3	1
	500	1/3	1/2	1/3	1
Mini-multiple 3x LED GE	350	1/4	1/2	1/4	1/2
	500	1/4	1/2	1/4	1/2
Mini-multiple 4x LED GE	350	1	3	1	4
	500	1	2	1	3
Minude 45 ceiling recessed adjustable LED GE	350	1	3	1	4
	500	1	2	1	3
Minude 45 suspension LED GE	350	1	2	1	3
	500	1	2	1	3
M-LED 50 GE	350	1	2	1	3
	500	1	2	1	3
M-LED 50 warm dim GE	350	1	2	1	3
	500	1	2	1	3
M-LED 70 GE	350	1	2	1	3
	500	1	2	1	3
M-LED 70 warm dim GE	350	1	2	1	3
	350	1	1	1	2
M-LED 111 GE	500	1	1	1	2
	700	1	1	1	1
Nomad 111 2x LED GE	350	1/2	1/2	1/2	1
	500	1/2	1/2	1/2	1
Nomad 111 4x LED GE	700	1/2	1/2	1/2	1/2
	350	1/4	1/4	1/4	1/2
Nomad 111 4x LED GE	500	1/4	1/4	1/4	1/2
	700	1/4	1/4	1/4	1/4
Nomad 2xLED AR 111	500	1	1	1	1
Nomad 4xLED AR 111	1050	1	1	1	1
Placebo up/down LED GE	350	1	2	1	3
Pupil LED GE	350	2	5	1	7
	500	2	5	1	7
Pupil warm dim LED GE	700	1	5	1	7
	350	1	2	1	3
Qbini fix/adjustable/asy 1x LED GE	350	2	5	1	7
	500	2	5	1	7
Qbini fix/adjustable/asy 2x LED GE	350	1	2	1/2	3
	500	1	2	1/2	3
Qbini fix/adjustable/asy 3x LED GE	350	1/2	1	1/3	2
	500	1/2	1	1/3	2
Qbini fix/adjustable/asy 4x LED GE	350	1/2	1	1/4	1
	500	1/2	1	1/4	1
Qbini fix/adjustable/asy trimless 1x LED GE	350	2	5	1	7
	500	2	5	1	7
Qbini fix/adjustable/asy trimless 2x LED GE	350	1	2	1/2	3
	500	1	2	1/2	3
Qbini fix/adjustable/asy trimless 3x LED GE	350	1/2	1	1/3	2
	500	1/2	1	1/3	2
Qbini fix/adjustable/asy trimless 4x LED GE	350	1/2	1	1/4	1
	500	1/2	1	1/4	1
Qbini fix/adjustable/asy trimless warm dim 1x LED GE	250	-	-	-	-
Qbini fix/adjustable/asy trimless warm dim 2x LED GE	250	-	-	-	-
Qbini fix/adjustable/asy trimless warm dim 3x LED GE	250	-	-	-	-
Qbini fix/adjustable/asy trimless warm dim 4x LED GE	250	-	-	-	-

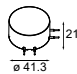

Driver matrix - Casambi

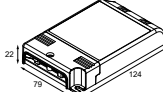






(number of products allowed per driver)

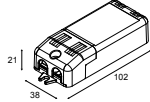


CASAMBI		13470030		13470130	
		Casambi		Casambi	
Dimensions (LxWxH)		147x44x30		124x79x22	
min. cutout hole		54		84	
*Number of LED output channels		1		1	
Max drivers on MCB 16A type B		50		30	
FIXTURE	mA	min	max	min	max
Qbini fix/adjustable/asy warm dim 1x LED GE	250	-	-	-	-
Qbini fix/adjustable/asy warm dim 2x LED GE	250	-	-	-	-
Qbini fix/adjustable/asy warm dim 3x LED GE	250	-	-	-	-
Qbini fix/adjustable/asy warm dim 4x LED GE	250	-	-	-	-
Obini general 2X LED GE	350	1	4	1	5
	500	1	4	1	5
Obini general 4X LED GE	350	1/2	2	1/2	2
	500	1/2	2	1/2	2
Rektor recessed LED GE	350	1	1	1	2
	500	1	1	1	2
Rektor recessed warm dim LED GE	350	1	1	1	1
Scotty 270 adjustable LED GE	350	1	1	1	2
Scotty 270 LED GE	350	1	1	1	2
	500	1	1	1	1
	350	1	3	1	4
Shellby 176 trimless LED GE	500	1	2	1	3
	700	1	2	1	3
Shellby 176 trimless warm dim LED GE	350	1	1	1	1
	350	1	3	1	4
Shellby 184 LED GE	500	1	2	1	3
	700	1	2	1	3
Shellby 184 warm dim LED GE	350	1	1	1	1
	350	1	2	1	3
Slide IP54 LED GE	500	1	2	1	3
	350	4	17	1	23
Smart Cake / Kup / Lotis / (asy) 48 (IP54) LED GE	500	4	18	1	23
Smart Cake / Kup / Lotis / (asy) 48 warm dim (IP55) LED GE	250	-	-	-	-
	350	2	5	1	7
Smart Cake / Kup / Lotis /+ (asy) 48 (IP54) LED GE	500	2	5	1	7
Smart Cake / Kup / Lotis 82 (adjustable) warm dim LED GE (IP54)	350	1	2	1	3
	350	1	2	1	3
Smart Cake / Kup / Lotis 82 (IP54) LED GE	500	1	2	1	3
	700	1	2	1	3
Smart Cake / Kup / Lotis 82 adjustable LED GE	350	1	2	1	3
	500	1	2	1	3
Smart Cake / Kup / Lotis 115 adjustable LED GE	350	1	2	1	3
	700	1	2	1	3
Smart Cake / Kup / Lotis 115 adjustable warm dim LED GE	350	1	1	1	1
	350	1	1	1	2
Smart Cake / Kup / Lotis 115 (diffuse) (IP54) LED GE	500	1	1	1	2
	700	1	1	1	1
	500	1	1	1	1
	700	1	1	1	1
Smart Cake/ Kup / Lotis 160 (diffuse) (IP54) LED GE	900	-	-	-	-
	1050	-	-	-	-
	1200	-	-	-	-
	1400	-	-	-	-
Stove LED GE	350	1	1	1	2
	500	1	1	1	2
Thimble 70 trimless (adjustable) LED GE	350	1	3	1	4
	500	1	2	1	3
Thimble 74 (adjustable) LED GE	350	1	3	1	4
	500	1	2	1	3
Wink 82 LED GE	350	1	2	1	3
	500	1	2	1	3
	350	1	1	1	2
Wink 115 LED GE	500	1	1	1	2
	700	1	1	1	1

Driver specs. - constant current

			
Reference	12403730	12400730	
Dimensions (LxWxH)	115x34x19	115x34x19	
Input	220-240V 50/60Hz	220-240V 50/60Hz	
Ambient temperature	-25°C to +45°C	-25°C to +50°C	
Power factor (max)	0.54	0.54	
Dimming	-	-	
Max drivers on MCB 16A type B*	27	27	
Output	350mA / 15W 1-43V DC	500mA / 12W 1-24V DC	

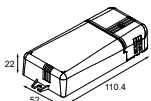


		
Reference	12408830	
Dimensions (LxWxH)	ø42x20	
Input	220-240V 50/60Hz	
Ambient temperature	-20°C to +60°C	
Power factor (max)	>0.92	
Dimming	-	
Max drivers on MCB 16A type B*	75	
Output	350mA / 14W 21-40V DC	

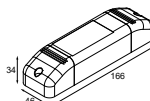






						
Reference	12403430					
Dimensions (LxWxH)	124x79x22					
Input	220-240V 50/60Hz					
Ambient temperature	-25°C to +45°C					
Power factor (max)	0.95					
Dimming	-					
Max drivers on MCB 16A type B*	15					
Output	350mA / 25W 1-74V DC	500mA / 35W 1-72V DC	700mA / 50W 1-71V DC	900mA / 50W 1-55V DC	1050mA / 50W 1-48V DC	
DIP-switch setting (check on driver)						

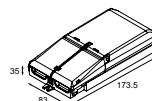






				 
Reference	12407230	12404830	12404930	
Dimensions (LxWxH)	102x38x21	102x38x21	102x38x21	
Input	220-240V 50/60Hz	220-240V 50/60Hz	220-240V 50/60Hz	
Ambient temperature	-25°C to +45°C	-25°C to +45°C	-25°C to +45°C	
Power factor (max)	0.96	0.96	0.96	
Dimming	TRAILING EDGE/LEADING EDGE (AM)	TRAILING EDGE/LEADING EDGE (AM)	TRAILING EDGE/LEADING EDGE (AM)	
Max drivers on MCB 16A type B*	50	50	50	
Output	250mA / 3-7W 14-28V DC	350mA / 4-10W 12-28V DC	500mA / 5-10W 10-20V DC	

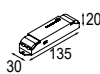


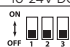
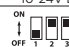
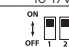
* FOR OTHER TYPES OF MCB, SEE TABLE PAGE 644

Driver specs. - constant current

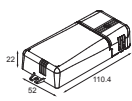








	  		
Reference	12404230	12404330	12408530
Dimensions (LxWxH)	111x52x22	111x52x22	111x52x22
Input	220-240V 50/60Hz	220-240V 50/60Hz	220-240V 50/60Hz
Ambient temperature	-25°C to +50°C	-25°C to +45°C	-25°C to +45°C
Power factor (max)	0.95	0.95	0.95
Dimming	TRAILING EDGE/LEADING EDGE (AM)	TRAILING EDGE/LEADING EDGE (AM)	TRAILING EDGE/LEADING EDGE (AM)
Max drivers on MCB 16A type B*	50	50	50
Output	350mA / 8-18W 25-51V DC	500mA / 8-20W 16-40V DC	700mA / 8-20W 16-28V DC

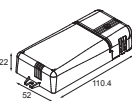







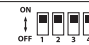
	   		
Reference	12400330		
Dimensions (LxWxH)	166x46x34		
Input	220-240V 50/60Hz		
Ambient temperature	-25°C to +45°C		
Power factor (max)	0.97		
Dimming	TRAILING EDGE/LEADING EDGE/PUSH DIM (PWM)		
Max drivers on MCB 16A type B*	50		
Output	350mA / 17W 1-47V DC	500mA / 24W 1-47V DC	700mA / 32W 1-46V DC
DIP-switch setting (check on driver)			

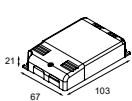








	   		
Reference	12405730		
Dimensions (LxWxH)	173x83x35		
Input	220-240V 50/60Hz		
Ambient temperature	-25°C to +50°C		
Power factor (max)	0.88		
Dimming	MAINS/PUSH (PWM)		
Max drivers on MCB 16A type B*	30		
Output	1050mA / 1-455W 2-43V DC	1200mA / 1-50W 2-42V DC	1400mA / 1-50W 2-36V DC
DIP-switch setting (check on driver)			

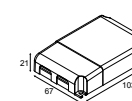








	  		
Reference	12409130		
Dimensions (LxWxH)	135x30x20		
Input	100-240V 50/60Hz		
Ambient temperature	-30°C to +50°C		
Power factor (max)	0.85		
Dimming	1-10V (PWM)		
Max drivers on MCB 16A type B*	100		
Output	350mA / 8.4W 10-24V DC	500mA / 12W 10-24V DC	700mA / 12W 10-17V DC
DIP-switch setting (check on driver)			

Driver specs. - constant current

	   				
Reference	12407730				
Dimensions (LxWxH)	111x52x22				
Input	220-240V 50/60Hz				
Ambient temperature	-25°C to +50°C				
Power factor (max)	0.95				
Dimming	0/1-10V/PUSH (AM+PWM)				
Max drivers on MCB 16A type B*	50				
Output	250mA / 13W 20-53V DC	350mA / 18W 15-50V DC	500mA / 20W 5-40V DC	700mA / 20W 3-29V DC	900mA / 20W 3-23V DC
DIP-switch setting (check on driver)					

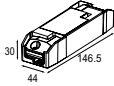







	   				
Reference	12408030				
Dimensions (LxWxH)	111x52x22				
Input	220-240V 50/60Hz				
Ambient temperature	-25°C to +50°C				
Power factor (max)	0.95				
Dimming	0/1-10V/PUSH (AM)				
Max drivers on MCB 16A type B*	50				
Output	250mA / 13W 20-53V DC	350mA / 18W 15-50V DC	500mA / 20W 5-40V DC	700mA / 20W 3-29V DC	900mA / 20W 3-23V DC
DIP-switch setting (check on driver)					

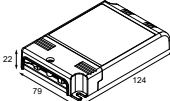









	   				
Reference	12408230				
Dimensions (LxWxH)	103x67x21				
Input	220-240V 50/60Hz				
Ambient temperature	-25°C to +45°C				
Power factor (max)	0.95				
Dimming	0/1-10V/PUSH (push dim: optional sync cable 12400100) (AM)				
Max drivers on MCB 16A type B*	15				
Output	250mA / 13W 15-53V DC	350mA / 18W 10-53V DC	500mA / 25W 2-50V DC	700mA / 32W 2-46V DC	900mA / 20W 2-22V DC
DIP-switch setting (check on driver)					

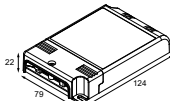









	   				
Reference	12405430				
Dimensions (LxWxH)	103x67x21				
Input	220-240V 50/60Hz				
Ambient temperature	-25°C to +45°C				
Power factor (max)	0.95				
Dimming	1-10V/PUSH (PWM)				
Max drivers on MCB 16A type B*	50				
Output	250mA / 13W 15-53V DC	350mA / 18W 10-53V DC	500mA / 25W 2-50V DC	700mA / 32W 2-46V DC	900mA / 20W 2-22V DC
DIP-switch setting (check on driver)					

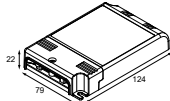










* FOR OTHER TYPES OF MCB, SEE TABLE PAGE 644

Driver specs. - constant current

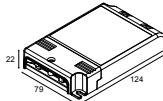





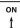





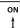





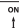





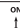





	  				
Reference	12407130				
Dimensions (LxWxH)	146.5x44x30				
Input	220-240V 50/60Hz				
Ambient temperature	-25°C to +40°C				
Power factor (max)	0.95				
Dimming	1-10V (AM)				
Max drivers on MCB 16A type B*	50				
Output	350mA / 1-18W 10-54V DC	500mA / 1-27W 10-54V DC	700mA / 1-36W 10-51V DC	900mA / 1-36W 10-40V DC	1050mA / 1-36W 10-35V DC
DIP-switch setting (check on driver)					

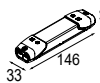


	    				
Reference	12406630				
Dimensions (LxWxH)	124x79x22				
Input	220-240V 50/60Hz				
Ambient temperature	-25°C to +50°C				
Power factor (max)	0.95				
Dimming	1-10V/PUSH (AM)				
Max drivers on MCB 16A type B*	15				
Output	350mA / 25W 2-74V DC	500mA / 35W 2-72V DC	700mA / 50W 2-72V DC	900mA / 60W 2-66V DC	1050mA / 60W 2-57V DC
DIP-switch setting (check on driver)					

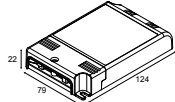











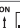





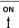





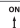





	    				
Reference	12406730				
Dimensions (LxWxH)	124x79x22				
Input	220-240V 50/60Hz				
Ambient temperature	-25°C to +50°C				
Power factor (max)	0.95				
Dimming	1-10V/PUSH (AM+PWM)				
Max drivers on MCB 16A type B*	15				
Output	350mA / 25W 2-74V DC	500mA / 35W 2-72V DC	700mA / 50W 2-72V DC	900mA / 60W 2-66V DC	1050mA / 60W 2-57V DC
DIP-switch setting (check on driver)					

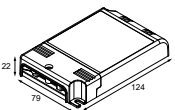




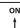





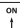





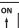





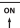





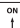





	     				
Reference	12406830				
Dimensions (LxWxH)	124x79x22				
Input	220-240V 50/60Hz				
Ambient temperature	-25°C to +50°C				
Power factor (max)	0.95				
Dimming	1-10V/DALI/PUSH (AM+PWM)				
Max drivers on MCB 16A type B*	30				
Output	350mA / 25W 2-74V DC	500mA / 35W 2-72V DC	700mA / 50W 2-72V DC	900mA / 60W 2-66V DC	1050mA / 60W 2-57V DC
DIP-switch setting (check on driver)					

Driver specs. - constant current

	     			
Reference	12407830			
Dimensions (LxWxH)	124x79x22			
Input	220-240V 50/60Hz			
Ambient temperature	-25°C to +50°C			
Power factor (max)	0.95			
Dimming	0/1-10V/PUSH/DALI (AM+PWM)			
Max drivers on MCB 16A type B*	30			
Output	250mA / 28W 20-112V DC	350mA / 39W 20-112V DC	500mA / 56W 2-112V DC	700mA / 60W 2-86V DC
DIP-switch setting (check on driver)	     	     	     	     

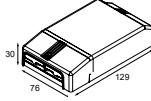









	  			
Reference	12409230	12409330	12409430	12409530
Dimensions (LxWxH)	145x31x21	145x31x21	145x31x21	145x31x21
Input	220-240V 50/60Hz	220-240V 50/60Hz	220-240V 50/60Hz	220-240V 50/60Hz
Ambient temperature	-20°C to +50°C	-20°C to +50°C	-20°C to +50°C	-20°C to +50°C
Power factor (max)	0.94	0.94	0.94	0.94
Dimming	DALI2 (AM)	DALI2 (AM)	DALI2 (AM)	DALI2 (AM)
Max drivers on MCB 16A type B*	130	130	130	130
Output	250mA / 10W 5-42V DC	350mA / 10W 4-30V DC	500mA / 10W 10-20V DC	700mA / 10W 2.5-14V DC

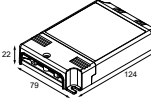









	     			
Reference	12404530			
Dimensions (LxWxH)	124x79x22			
Input	220-240V 50/60Hz			
Ambient temperature	-25°C to +50°C			
Power factor (max)	0.95			
Dimming	DALI/1-10V/PUSH DIM (push dim: optional sync cable 12400100) (PWM)			
Max drivers on MCB 16A type B*	15			
Output	250mA / 30W 1-112V DC	350mA / 40W 1-112V DC	500mA / 50W 1-100V DC	700mA / 50W 1-70V DC
DIP-switch setting (check on driver)	     	     	     	     

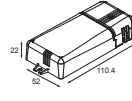






	    				
Reference	12406530				
Dimensions (LxWxH)	124x79x22				
Input	220-240V 50/60Hz				
Ambient temperature	-25°C to +50°C				
Power factor (max)	0.95				
Dimming	DALI/1-10V/PUSH (AM)				
Max drivers on MCB 16A type B*	30				
Output	350mA / 25W 2-74V DC	500mA / 35W 2-72V DC	700mA / 50W 2-72V DC	900mA / 60W 2-66V DC	1050mA / 60W 2-57V DC
DIP-switch setting (check on driver)	     	     	     	     	     

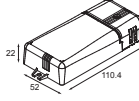






* FOR OTHER TYPES OF MCB, SEE TABLE PAGE 644

Driver specs. - constant current

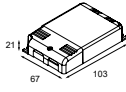






	     			
Reference	12404030			
Dimensions (LxWxH)	129x76x30			
Input	220-240V 50/60Hz			
Ambient temperature	-25°C to +50°C			
Power factor (max)	0.95			
Dimming	DALI/1-10V/PUSH DIM (push dim: optional sync cable 12400100) (PWM)			
Max drivers on MCB 16A type B*	15			
Output	1050mA / 45W 1-44V DC	1200mA / 52W 1-44V DC	1400mA / 55W 1-39V DC	1600mA / 55W 1-35V DC
DIP-switch setting (check on driver)				

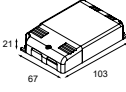






	     			
Reference	12408330			
Dimensions (LxWxH)	124x79x22			
Input	220-240V 50/60Hz			
Ambient temperature	-25°C to +50°C			
Power factor (max)	0.95			
Dimming	0/1-10V/DALI2/PUSH (push dim: optional sync cable 12400100) (AM)			
Max drivers on MCB 16A type B*	15			
Output	250mA / 28W 20-112V DC	350mA / 39W 20-112V DC	500mA / 56W 2-112V DC	700mA / 60W 2-86V DC
DIP-switch setting (check on driver)				

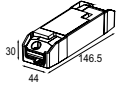







	  			
Reference	12407630			
Dimensions (LxWxH)	111x52x22			
Input	220-240V 50/60Hz			
Ambient temperature	-25°C to +45°C			
Power factor (max)	0.92			
Dimming	DALI (AM+PWM)			
Max drivers on MCB 16A type B*	50			
Output	250mA / 20W 15-49V DC	350mA / 17W 2-49V DC	500mA / 20W 2-40V DC	700mA / 20W 2-28V DC
DIP-switch setting (check on driver)				

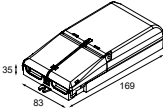









	  			
Reference	12407930			
Dimensions (LxWxH)	111x52x22			
Input	220-240V 50/60Hz			
Ambient temperature	-25°C to +45°C			
Power factor (max)	0.92			
Dimming	DALI2 (AM)			
Max drivers on MCB 16A type B*	50			
Output	250mA / 20W 15-49V DC	350mA / 17W 2-49V DC	500mA / 20W 2-40V DC	700mA / 20W 2-28V DC
DIP-switch setting (check on driver)				

Driver specs. - constant current

	  			
Reference	12403230			
Dimensions (LxWxH)	103x67x21			
Input	220-240V 50/60Hz			
Ambient temperature	-25°C to +50°C			
Power factor (max)	0.98			
Dimming	DALI (PWM)			
Max drivers on MCB 16A type B*	50			
Output	250mA / 12W 10-48V DC	350mA / 17W 5-48V DC	500mA / 24W 5-48V DC	700mA / 32W 3-46V DC
DIP-switch setting (check on driver)				

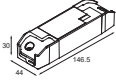









	  			
Reference	12408130			
Dimensions (LxWxH)	103x67x21			
Input	220-240V 50/60Hz			
Ambient temperature	-25°C to +50°C			
Power factor (max)	0.95			
Dimming	DALI2 (AM)			
Max drivers on MCB 16A type B*	50			
Output	250mA / 12W 10-48V DC	350mA / 17W 5-48V DC	500mA / 24W 5-48V DC	700mA / 32W 3-46V DC
DIP-switch setting (check on driver)				

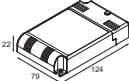









	  				
Reference	12405630				
Dimensions (LxWxH)	146.5x44x30				
Input	220-240V 50/60Hz				
Ambient temperature	-25°C to +45°C				
Power factor (max)	0.9				
Dimming	DALI2 (AM)				
Max drivers on MCB 16A type B*	50				
Output	350mA / 1-18.5W 10-54V DC	500mA / 1-27W 10-54V DC	700mA / 1-38W 10-54V DC	900mA / 1-38W 10-43V DC	1050mA / 1-38W 10-36V DC
DIP-switch setting (check on driver)					

	    				
Reference	12404730				
Dimensions (LxWxH)	169x83x35				
Input	220-240V 50/60Hz				
Ambient temperature	-25°C to +45°C				
Power factor (max)	0.98				
Dimming	DALI/1-10V/PUSH (PWM) (push dim: optional sync cable 12400100)				
Max drivers on MCB 16A type B*	30				
Output	350mA / 25W 1-71V DC	500mA / 35W 1-70V DC	700mA / 50W 1-70V DC	900mA / 50W 1-55V DC	1050mA / 50W 1-48V DC
DIP-switch setting (check on driver)					

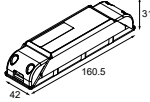


* FOR OTHER TYPES OF MCB, SEE TABLE PAGE 644

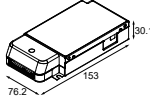


Driver specs. - constant current

	    				
Reference	13470030				
Dimensions (LxWxH)	147x44x30				
Input	220-240V 50/60Hz				
Ambient temperature	-25°C to +45°C				
Power factor (max)	0.9				
Dimming	Casambi (AM)				
Max drivers on MCB 16A type B*	50				
Output	350mA / 18W 10-54V DC	500mA / 27W 10-54V DC	700mA / 38W 10-51V DC	900mA / 38W 10-42V DC	1050mA / 38W 10-36V DC
DIP-switch setting (check on driver)					

	    				
Reference	13470130				
Dimensions (LxWxH)	124x79x22				
Input	220-240V 50/60Hz				
Ambient temperature	-25°C to +50°C				
Power factor (max)	0.92				
Dimming	Casambi (AM)				
Max drivers on MCB 16A type B*	30				
Output	350mA / 25W 2-74V DC	500mA / 35W 2-72V DC	700mA / 50W 2-72V DC	900mA / 60W 2-66V DC	1050mA / 60W 2-57V DC
DIP-switch setting (check on driver)					

Driver specs. - constant current | deep dim

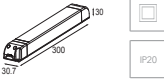
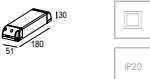
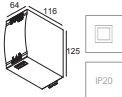
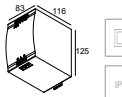
	  					
	20W					
Reference	11630030	11630130	11630230	11630330	11630430	11630530
Dimensions (LxWxH)	160.5x42x31					
Input	198-264V 50/60Hz					
Ambient temperature	-20°C to +50°C					
Power factor (max)	>0.95					
Dim	DALI2 (AM+PWM)	DALI2 (AM+PWM)	DALI2 (AM+PWM)	O/1-10V (AM+PWM)	O/1-10V (AM+PWM)	O/1-10V (AM+PWM)
Max drivers on MCB 16A type B*	106	106	106	106	106	106
Output voltage / Power range	350mA/20W 2-40V DC	500mA/20W 2-40V DC	700mA/20W 2-40V DC	350mA/20W 2-40V DC	500mA/20W 2-40V DC	700mA/20W 2-40V DC

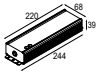
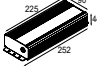
	  					
	50W					
Reference	11630630	11630730	11630830	11630930	11631030	11631130
Dimensions (LxWxH)	153x76.2x30.1					
Input	120-255V 50/60Hz					
Ambient temperature	-20°C to +50°C					
Power factor (max)	>0.9					
Dim	DALI2 (AM+PWM)	DALI2 (AM+PWM)	DALI2 (AM+PWM)	O/1-10V (AM+PWM)	O/1-10V (AM+PWM)	O/1-10V (AM+PWM)
Max drivers on MCB 16A type B*	22	22	22	22	22	22
Output voltage / Power range	350mA/50W 1.5-55V DC	500mA/50W 1.5-55V DC	700mA/50W 1.5-55V DC	350mA/50W 1.5-55V DC	500mA/50W 1.5-55V DC	700mA/50W 1.5-55V DC

CONVERSION TABLE FOR MAX. QUANTITIES OF DRIVERS ON OTHER TYPES OF MINIATURE CIRCUIT BREAKER

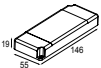
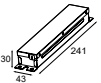
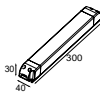
MCB type	MAX. CURRENT	RELATIVE NUMBER OF DRIVERS
B	25A	156%
B	20A	125%
B	16A	100%
B	10A	63%
C	25A	260%
C	20A	208%
C	16A	170%
C	10A	104%

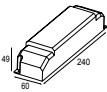
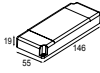
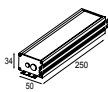
Driver specs. - constant voltage 48V

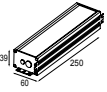
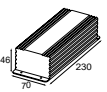
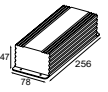
				
Reference	12408630	12408730	12407530	12408430
Dimensions (LxWxH)	300x40x30	180x52x30	125x63.5x123.6	125x83x126
Input	220-240V 50/60Hz	220-240V 50/60Hz	90-264V 50/60Hz	90-264V 50/60Hz
Ambient temperature	-15°C to +45°C	-15°C to +45°C	-40°C to +70°C	-40°C to +70°C
Power factor (max)	0.95	0.95	0.70	0.70
Dim	NOT DIMMABLE	NOT DIMMABLE	NOT DIMMABLE	NOT DIMMABLE
Max drivers on MCB 16A type B*	15	15	8	8
Output voltage / Power range	48V / 0-120W	48V / 0-75W	48V / 0-120W (DIN RAIL)	48V / 0-240W (DIN RAIL)

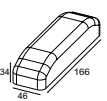
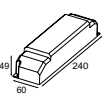
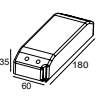
		
Reference	12408930	12409030
Dimensions (LxWxH)	244x68x39	252x90x44
Input	90-305V 50/60Hz	90-305V 50/60Hz
Ambient temperature	-40°C to +90°C	-40°C to +90°C
Power factor (max)	0.95	0.95
Dim	NOT DIMMABLE	NOT DIMMABLE
Max drivers on MCB 16A type B*	2	1
Output voltage / Power range	48V / 0-120W	48V / 0-320W

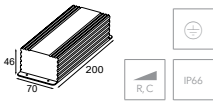
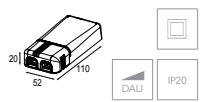
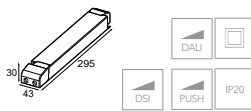

Driver specs. - constant voltage 24V


	 10 55 146 IP20	 30 43 241 IP66	 30 40 300 IP20
Reference	12405830	12401830	12405930
Dimensions (LxWxH)	146x55x19	241x43x30	300x40x30
Input	220-240V 50/60Hz	220-240V 50/60Hz	220-240V 50/60Hz
Ambient temperature	-25°C to +50°C	-30°C to +60°C	-25°C to +45°C
Power factor (max)	0.55	0.97	0.95
Dim	NOT DIMMABLE	NOT DIMMABLE	NOT DIMMABLE
Max drivers on MCB 16A type B*	27	6	11
Output voltage / Power range	24V / 0-20W	24V / 0-100W	24V / 0-120W

	 49 60 240 IP20	 19 55 146 1-10V IP20	 34 50 250 1-10V IP67
Reference	12405030	12402030	12402130
Dimensions (LxWxH)	240x60x49	146x55x19	250x50x34
Input	220-240V 50/60Hz	220-240V 50/60Hz	220-240V 50/60Hz
Ambient temperature	-40°C to +45°C	-25°C to +50°C	-25°C to +55°C
Power factor (max)	0.97	0.95	0.9
Dim	NOT DIMMABLE	1-10V	1-10V
Max drivers on MCB 16A type B*	8	27	10
Output voltage / Power range	24V / 0-150W	24V / 0-25W	24V / 28-80W

	 31 60 250 1-10V IP67	 41 70 230 1-10V IP66	 47 78 256 1-10V IP66
Reference	12402230	12406930	12407030
Dimensions (LxWxH)	250x60x39	230x70x46	256x78x47
Input	220-240V 50/60Hz	220-240V 50/60Hz	220-240V 50/60Hz
Ambient temperature	-25°C to +55°C	-40°C to +50°C	-40°C to +50°C
Power factor (max)	0.9	0.98	0.99
Dim	1-10V	1-10V	1-10V
Max drivers on MCB 16A type B*	10	13	9
Output voltage / Power range	24V / 60-120W	24V / 0-100W	24V / 0-150W

	 34 46 166 PUSH IP20	 49 60 240 1-10V PUSH IP20	 35 60 180 R.C. IP20
Reference	12406030	12406130	12406230
Dimensions (LxWxH)	166x46x34	240x60x49	180x60x35
Input	220-240V 50/60Hz	220-240V 50/60Hz	220-240V 50/60Hz
Ambient temperature	-25°C to +50°C	-25°C to +50°C	-40°C to +50°C
Power factor (max)	0.6	0.98	0.92
Dim	PUSHDIM	1-10V / PUSHDIM	TRAILING EDGE
Max drivers on MCB 16A type B*	27	8	54
Output voltage / Power range	24V / 0-22W	24V / 0-120W	24V / 0-45W

			
Reference	12406330	12403930	12405230
Dimensions (LxWxH)	200x70x46	110x52x20	295x43x30
Input	220-240V 50/60Hz	220-240V 50/60Hz	220-240V 50/60Hz
Ambient temperature	-40°C to +40°C	-25°C to +45°C	-25°C to +45°C
Power factor (max)	0.95	0.92	0.93
Dim	TRAILING EDGE	DALI	PUSHDIM / DALI / DSI
Max drivers on MCB 16A type B*	30	50	9
Output voltage / Power range	24V / 0-80W	24V / 0-16W	24V / 0-100W
DIP-switch setting (check on driver)			

	
Reference	12406430
Dimensions (LxWxH)	325x43x30
Input	220-240V 50/60Hz
Ambient temperature	-25°C to +50°C
Power factor (max)	0.94
Dim	PUSHDIM / DALI / DSI
Max drivers on MCB 16A type B*	6
Output voltage / Power range	24V / 0-150W