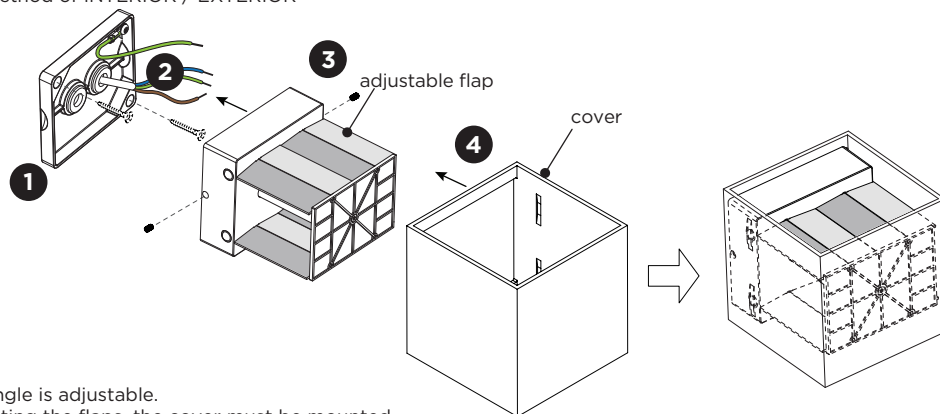
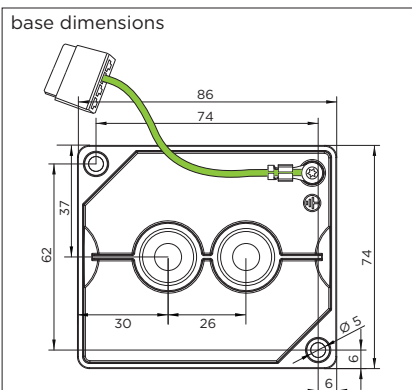
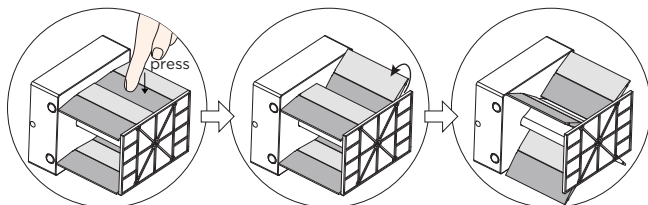


## Installation method of INTERIOR / EXTERIOR

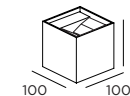


The beam angle is adjustable.  
Before adjusting the flaps, the cover must be mounted.

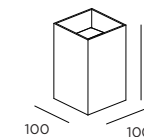


	A	B	C
CABLE			
TYPE	ROUND H05RN-F H07RN8-F H07RN-F	ROUND H05RN-F	ROUND
OUTSIDE Ø	min 6.8mm max 8.9mm	min 5mm max 6.8mm	min 1.5mm max 2.6mm
CONDUCTION SECTION	2or3x 0.75mm <sup>2</sup> 2or3x 1.0mm <sup>2</sup> 2or3x 1.5mm <sup>2</sup>	2or3x 0.75mm <sup>2</sup> 2x 1.0mm <sup>2</sup>	0.75mm <sup>2</sup> 1.5mm <sup>2</sup>

## DIMENSIONS



1.0 / 2.0 LED  
INTERIOR / EXTERIOR



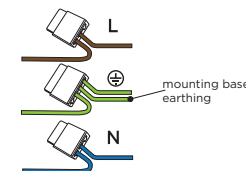
3.0 / 4.0 LED  
INTERIOR / EXTERIOR

## MOUNTING INSTRUCTION

**1** Remove the mounting base from the LED inset by loosening the side socket screws and mount it on the wall with screws (screws are not included).

**2** POWER CONNECTION

Connect to 220-240V.

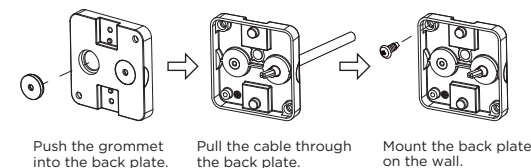


Connect the earth cable.



Please use a matching grommet based on the used 220-240V cable and the corresponding type in the overview table.

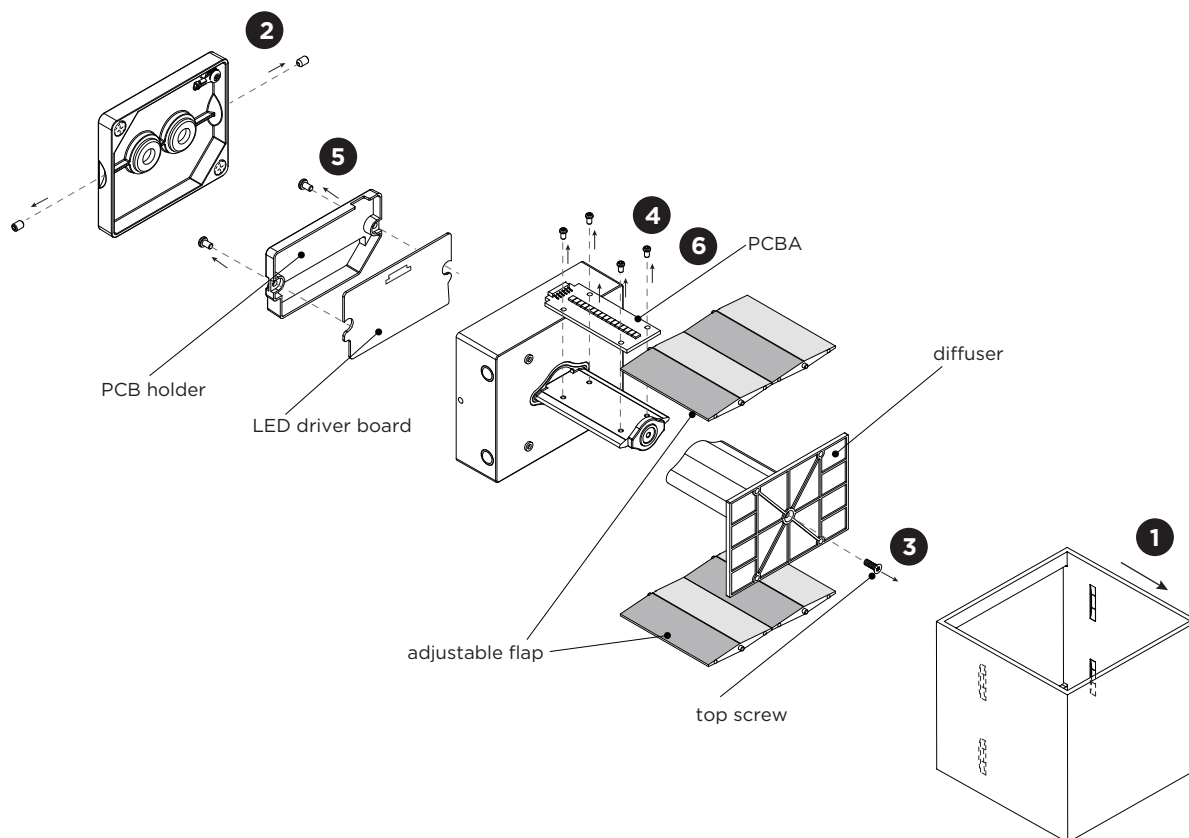
for example:



**3** Fix the LED inset on the base with the side socket screws.

**4** Fix the cover to the LED inset by pushing so the ball catch system will fix in the slots.

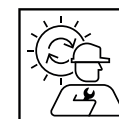




## DISMOUNTING INSTRUCTION

### Light source

- 1 Pull off the cover.
- 2 Loosen the socket side screws and the wiring, and take the LED module from the wall.
- 3 Loosen the top screw and remove the plastic parts.
- 4 Remove the screws on the PCBA.
- 5 Remove the screws from the PCB holder.
- 6 Remove the PCBA by desoldering it from the LED driver board.



To replace the light source please contact your W&D customer service.

This luminaire contains a light source with the energy class D.

