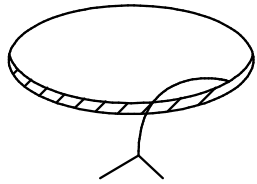


# Rektor Rec 1xled GE

128210XX-128211XX-128220XX-128221XX

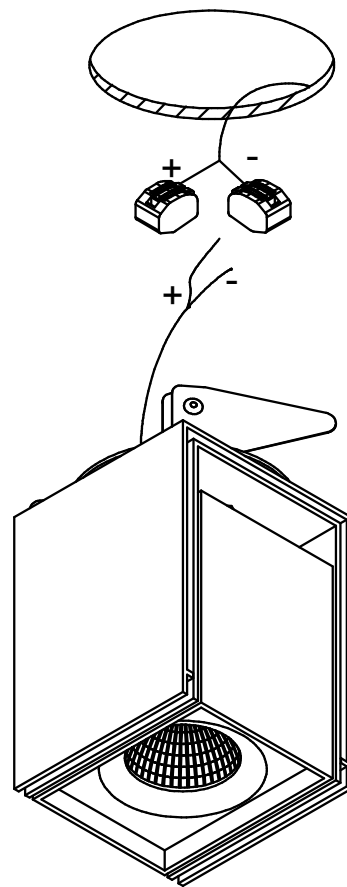
Lamptype : LED

1

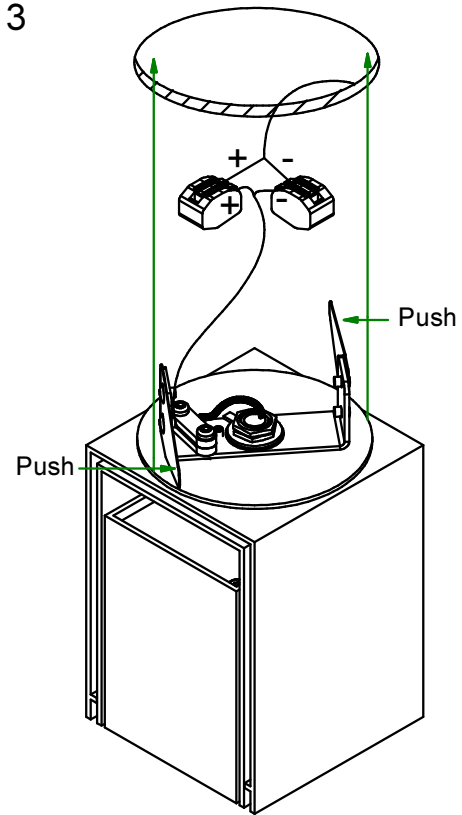


350mA - min 28,3Vf - max 34,6Vf - 11W  
500mA - min 29,3Vf - max 35,8Vf - 16,3W

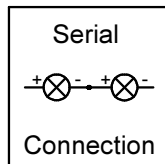
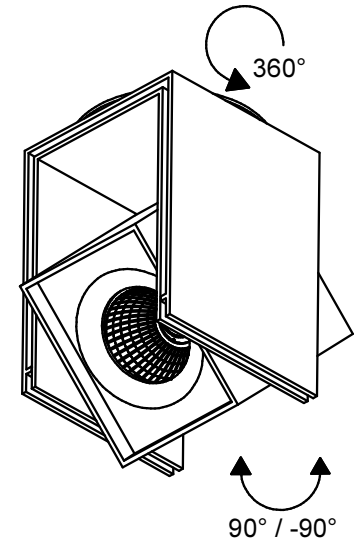
2



3



4



**CAN BE USED WITH**

Drivers:  
see driver matrix - latest version on website  
[www.supermodular.com](http://www.supermodular.com) or check sales contact

Conbox: 10490330

Gypkit: 12291330

