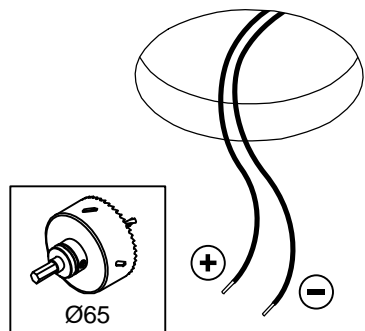
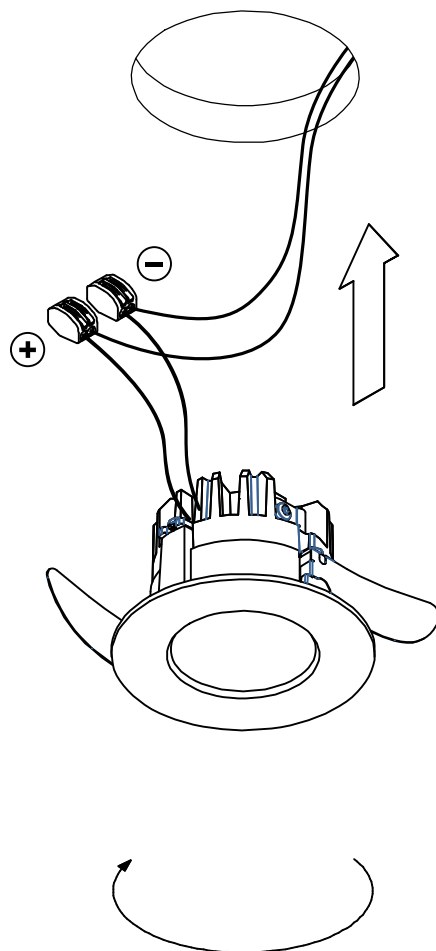


# K 72 IP55 LED GE

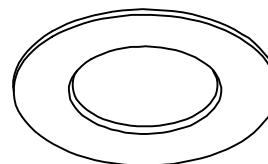
140400XX 140401XX 140402XX 140403XX 140404XX 140405XX 140406XX 140407XX 140408XX



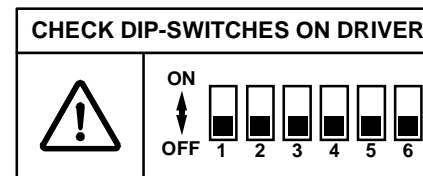
350mA - min 16,5Vf - max 17,8Vf - 6,2W  
500mA - min 17,1Vf - max 19,8Vf - 9,2W



install : Twist clockwise  
uninstall : Twist counterclockwise



Replace protective shield when broken.  
The luminaire shall only be used complete with its protective shield.  
Reference number: 1011481



check dipswitch settings on driver  
Push Dim max 5 drivers on 1 push button

The light source contained in this luminaire shall only be replaced by the manufacturer or his service agent or a similar qualified person

CAN BE USED WITH  
drivers:  
see driver matrix - latest version on website  
[www.supermodular.com](http://www.supermodular.com) or check sales contact

