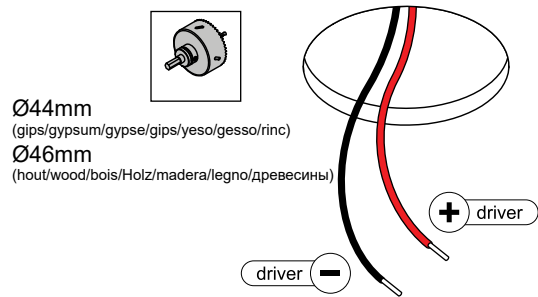
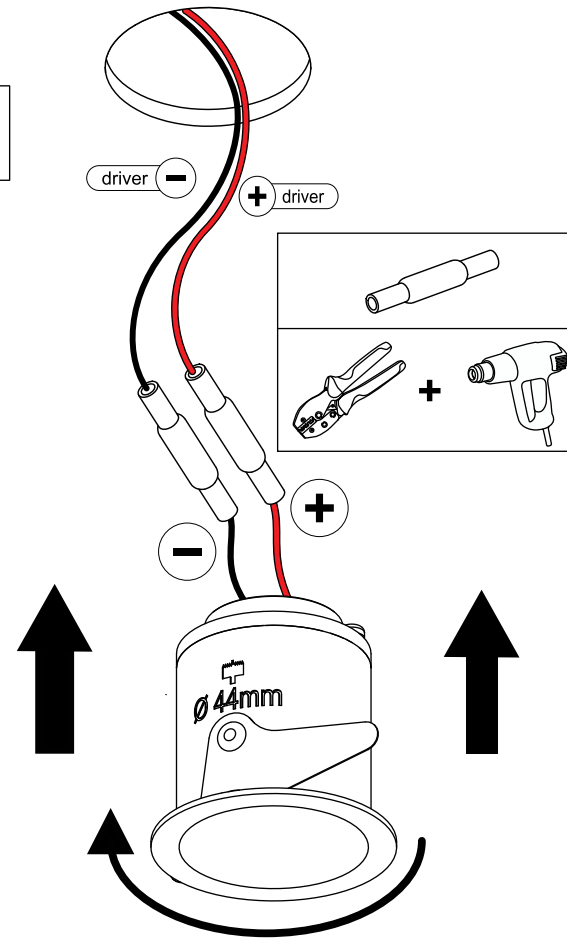
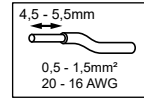
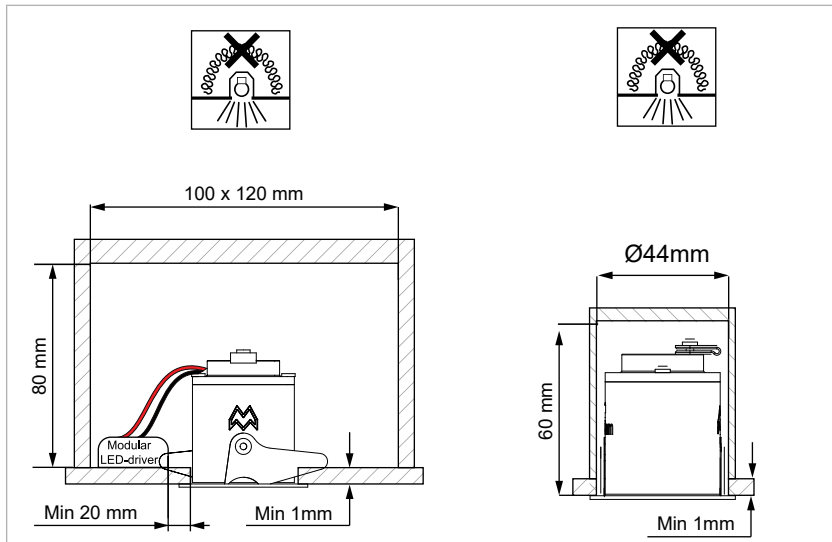


Smart Cake Kup Lotis 48 IP LED WD GE

128613XX-128713xx-128813xx



WARM DIM			
Drive Current (mA)	Forward Voltage		Power (W)
	min (Vf)	max (Vf)	
250	15,5	18,5	4
For serial connection, respect polarity!			
⊕ RED		⊖ BLACK	



Twist counterclockwise to put through hole then twist clockwise to fixate

Replace protective shield when broken. The luminaire shall only be used complete with its protective shield.
Reference number: 1006610

LIGHT SOURCE - DO NOT TOUCH LED
Touching the LED can result in permanent damage of the light source. The light source contained in this luminaire shall only be replaced by the manufacturer or his service agent or a similar qualified person.

PREVENTING ELECTROSTATIC DAMAGE
A discharge of static electricity may damage sensitive components. Always be properly grounded when touching leads or circuitry inside the luminaire. Use a wrist strap connected by a ground cord to the housing. Avoid touching the light sources with bare hands.

DRIVERS & ACCESSORIES
For latest version of driver matrix and available accessories check www.supermodular.com or connect with your sales contact.

