

DEEP

09-03-2017

1.0 LED

LED 7/10W | 350-500mA | COB 3-step | excl. power supply

CE IP20 960°C 0,3m 36°

white texture	112161W_
silver / grey	112161S_
black texture	112161B_
white texture (blade springs)	112161W_C

LIGHT COLOUR

2700K >90CRI 420-590lm 18Vf	3
3000K >90CRI 470-640lm 18Vf	5
1800K-2850K >90CRI 320-440lm 18Vf	9

ALWAYS USE

for power supplies see our catalogue

1.0 MR16

QR-CBC51 Max. 50W | GU5.3 | 12V | excl. transformer

CE IP20 960°C 0,9m

white texture	112110W0
silver / grey	112110S0
black texture	112110B0
white texture (blade springs)	112110W0C

ALWAYS USE

for transformers see our catalogue

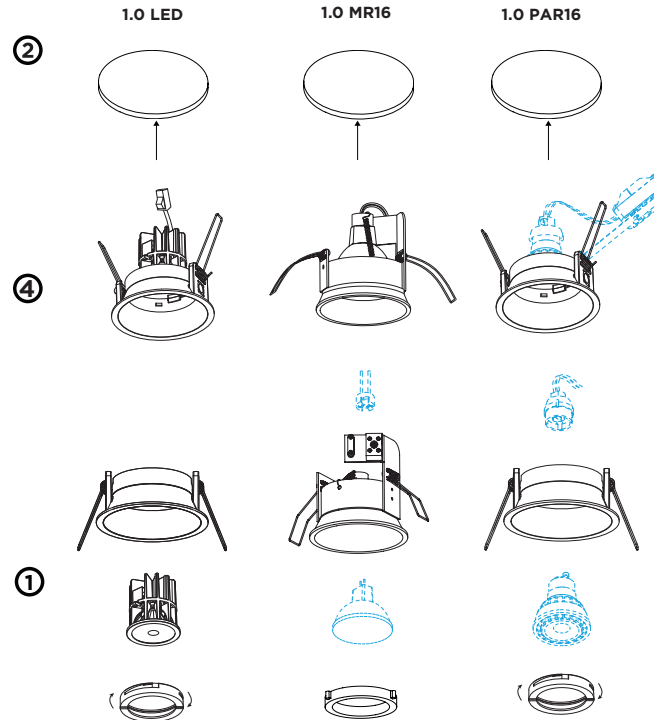
1.0 PAR16

Max. 35W | GU10 | 220-240VAC | 50-60Hz

CE IP20 960°C 0,9m

OPTIONAL: PAR16 LED GU10 6W | phase-cut dim : 2700K 350lm | 3000K 350lm
PAR16 LED GU10 7W ambient white dim : 1800-3000K 380lm

white texture	112120W0
silver / grey	112120S0
black texture	112120B0
white texture (blade springs)	112120W0C

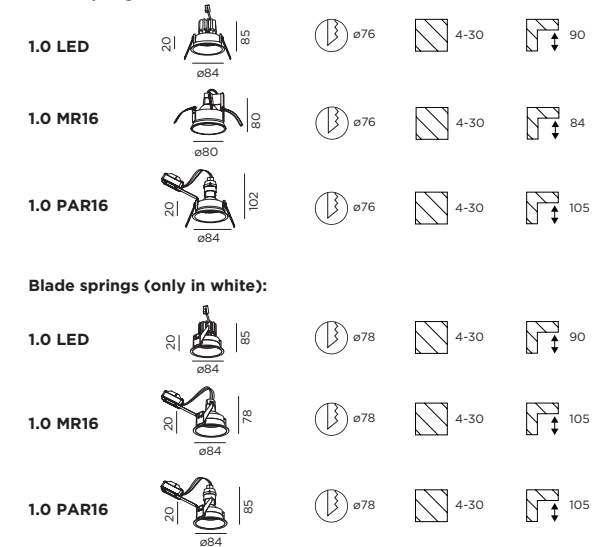


FOR HALOGEN LAMPS:

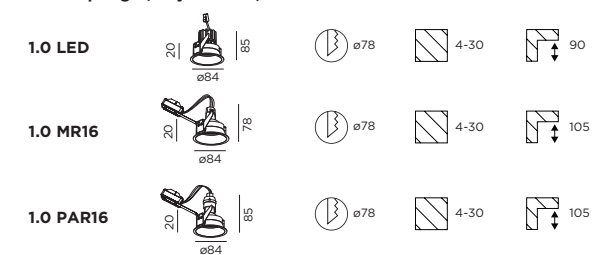
1. The mounting height for the luminaire should be more than 2.5m.
2. Luminaires not suitable for covering with thermally insulating material.
3. Luminaires not suitable for direct mounting on normally flammable surfaces (suitable only for mounting on noncombustible surfaces)

DIMENSIONS

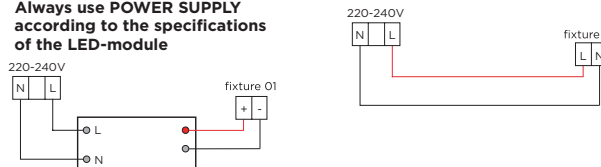
Wired springs:



Blade springs (only in white):



MOUNTING INSTRUCTION

- 1 Put the illuminant in the assembled cover.
- 2 Make a hole in the ceiling according to the prescribed dimensions.
- 3 **POWER CONNECTION**
SERIAL CONNECTION - for LED
PARALLEL CONNECTION - for PAR16
Always use **POWER SUPPLY** according to the specifications of the LED-module

- 4 Turn the springs and insert the fixture in the ceiling hole



WEVER & DUCRÉ
LIGHTING

www.weverducre.com

Wever & Ducre bvba Kwadestraat 153 bus 2.1 8800 Roeselare

INSTALLATION
INSTRUCTIONS