

High PF TRIAC dimmable driver with PWM output KVF series-CV 60W



■Features

- Output constant voltage
- Range AC input: 200-240VAC
- With slightly adjustable output voltage
- Efficiency :up to 85%
- Protections:short circuit/over loading/over current/over temperature
- Full protection plastic housing easy installation
- IP20 design for indoor installation
- Cooling by free air convection
- Work with leading edge and trailing edge TRIAC dimmers
- Strong compatibility, flicker-free dimming
- Suitable for LED lighting and moving sign applications

■ Specification

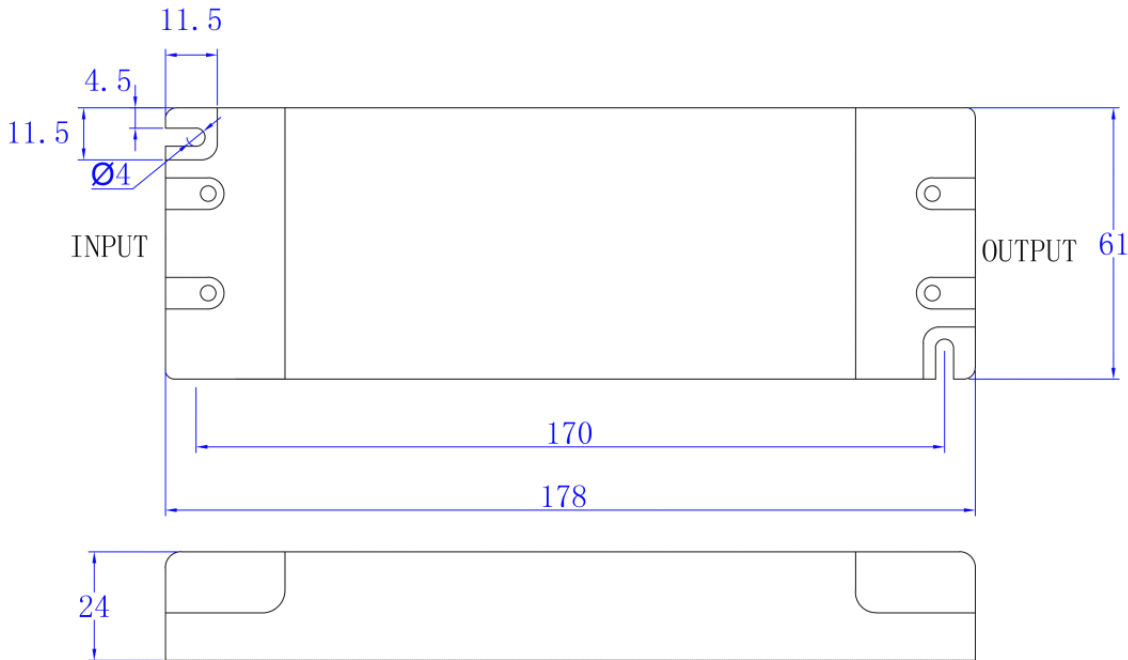
CE IP20 SELV

Model		KVF-12060-TDH	KVF-24060-TDH
Output	DC Voltage	12V	24V
	Voltage Tolerance	±0.5V	
	Rated current	5A	2.5A
	Rated power	60W	
Input	Voltage Range	200-240VAC	
	Frequency Range	47~63HZ	
	Power Factor	PF ≥ 0.98/200VAC PF ≥ 0.98/230VAC PF ≥ 0.98/240VAC(Full loading)	
	Full Load Efficiency(Typ.)	85%	85%
	AC Current (Max.)	0.38A	0.38A
	Leakage current	<0.50mA	
Protection	Short Circuit	shut down o/p voltage, re-power on to recover after fault condition is removed	
	Over Loading	≧ 120% Hiccup mode,recovers automatically after fault condition is removed	
	Over Current	≧ 1.2 *I _{out}	
	Over Temperature	100°C ± 10°C shut down o/p voltage ,re-power on to recover	
Environment	Working TEMP.	-40~+70°C	
	Working Humidity	20-90%RH, non-condensing	
	Storage TEM.,Humidity	-40~+80°C ,10-95%RH	
	TEMP.coefficient	±0.03%/°C(0-50°C)	
	Vibration	10-500Hz,2G 10min./1 cycle,period for 72min,each along X,Y,Z axes.	
Safety&EMC	Safety standards	EN61347-1 EN61347-2-13	
	Withstand voltage	I/P-O/P:3.75KVAC	
	Isolation resistance	I/P-O/P:100MΩ/500VDC/25°C/70%RH	
	EMC EMISSION	EN55015,EN61000-3-2,3 (≧ 60%loading)	
Others	Net.Weight	0.35KG	
	Size	178*61*24mm (L*W*H)	
	packing	185*65*28mm inner box 290*215*240mm outside carton 20PCS/CTN	
Notes	<ol style="list-style-type: none"> 1. All parameters NOT specially mentioned are measured at 230VAC input , rated load and 25°C of ambient temperature. 2. Tolerance: includes set us tolerance, line regulation and load regulation . 3. The power supply is considered as a component that will be operated in combination with final Equipment. Since 		

High PF TRIAC dimmable driver with PWM output KVF series-CV 60W

	<p>EMC performance will be affected by the complete installation, the final equipment manufactures must be-qualify EMC Directive on the complete installation again</p> <p>4. Loading range from 10% to 100%</p>
--	--

■Mechanical Specification



- ※Input (L) and (N) with wire to be connected with AC
- ※Output LED SEC output Positive (LED+) , output negative(LED-). Connected to LED light.
- ※ Suggested wire diameter:Input 0.75-2.5mm²; Output:0.5-2.5mm².
- ※ Please make sure you connect these correctly otherwise your product will not function correctly and could be damaged.
- ※Note: Any other requests we can customized.

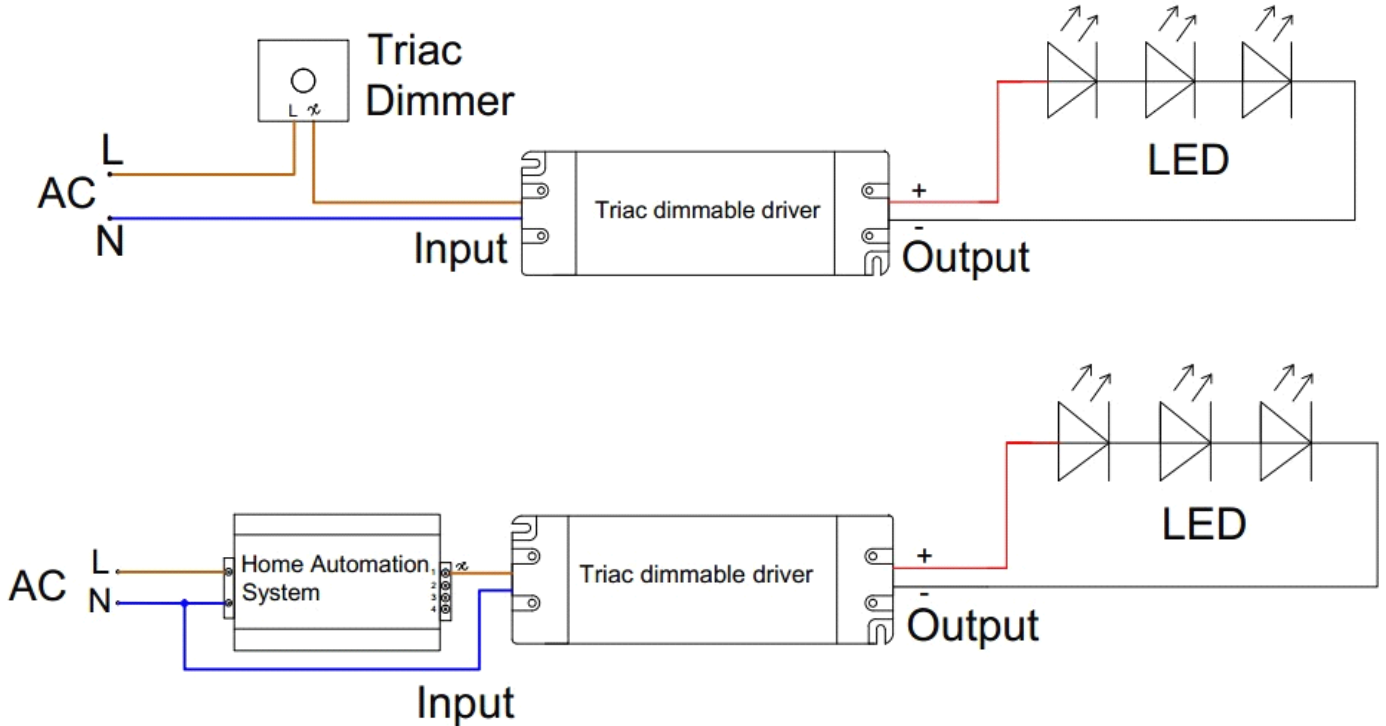
■Dimming Operation

- ※Output constant current level can be adjusted through input terminal of the AC phase line(L) by connection a Triac dimmer/light system.
- ※Usually matching with leading edge and trial edge Triac Dimmers both;
- ※please try to use the small power dimmer, have access to a wider dimming range, high-power dimmer is difficult to achieve the output current to zero
- ※please try to use dimmers with power at least 3 times as the output power of the driver.

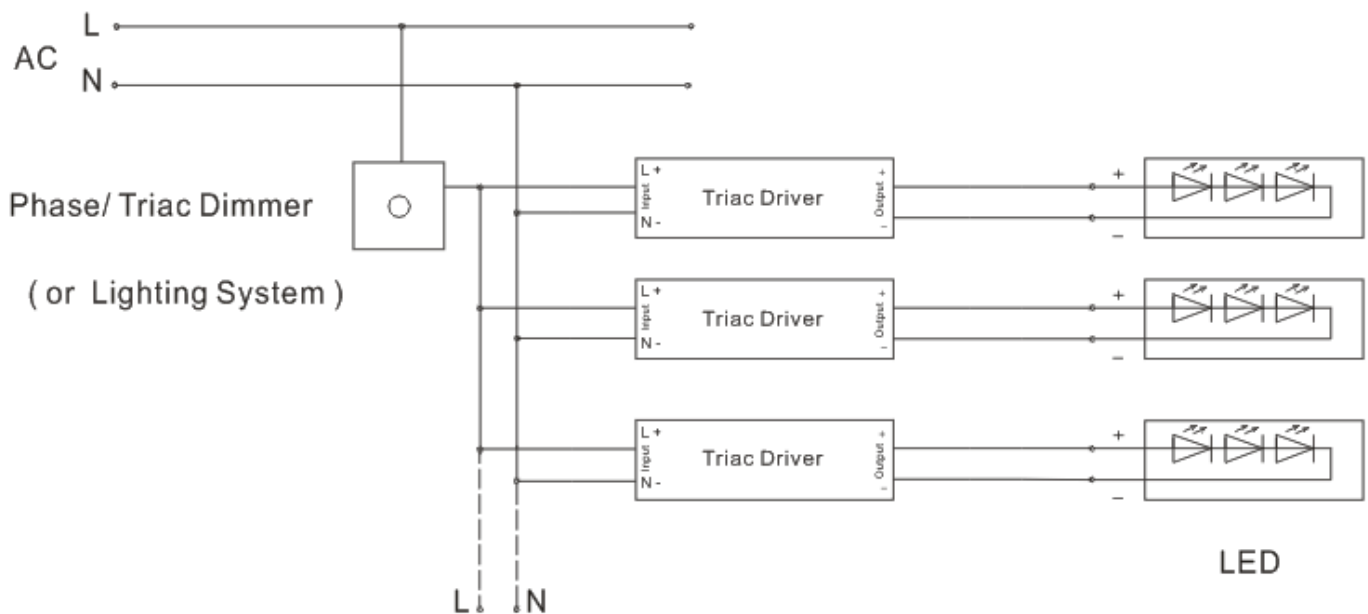
High PF TRIAC dimmable driver with PWM output KVF series-CV 60W

■ Connecting Diagram

■ Single Driver Connecting Diagram

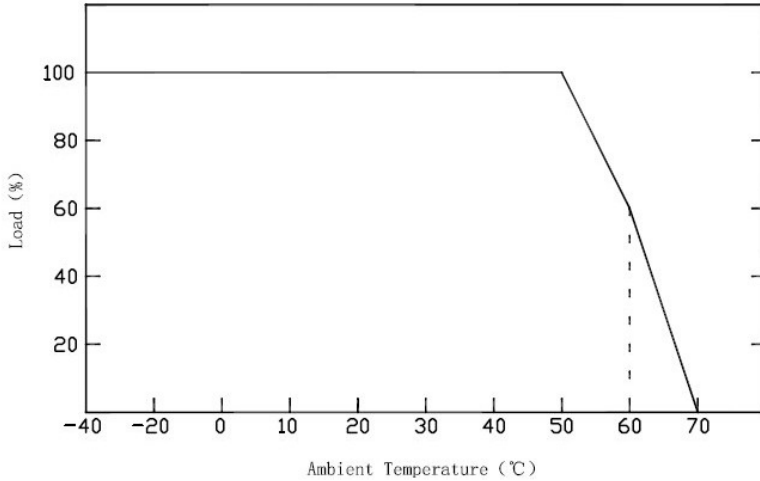


■ Multiple Drivers Connecting Diagram



High PF TRIAC dimmable driver with PWM output KVF series-CV 60W

Derating Curve



※To extend their life, please refer to the Derating Curve and derate according to the temperature.

Instruction:

- 1) This driver should be installed by qualified and professional person;
- 2) Please make sure the transformer is installed with adequate ventilation around it to allow for heat dissipation.
- 3) Ensure that wiring is correct before test in order to avoid light and power supply damage;
- 4) If driver cannot work normally, don't maintain privately; Have any question, please contact Shengchang.

Any other question, please contact ZHUHAI SHENGCHANG ELETRONICS CO.,LTD !