



F0420026 Nude

Almendra Linear Suspension 3 NEW

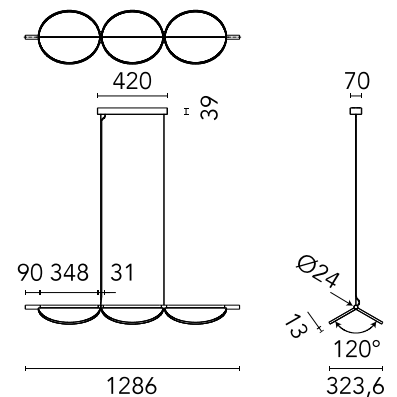
Designed by Patricia Urquiola, 2022

45W - 1371lm - 2700K - CRI> 95

Suspension lamp with diffused light emission available in linear and organic compositions. Tubular structure made of aluminium and CNC aluminium terminals with matte or metallized finish. Edge Lighting technology integrated. Light units can be turned by steps of 60° within the structure in order to change the direction of the light emitted. Metal rosette with matte white finish. The integrated electronics in the ceiling rose allow the use of different dimming systems: 1-10V, DALI, push-dim or potentiometer. Useful length of the cable 3 mt. The product has been designed according to the ISCC standards and it is assembled with total absence of glued components so that it can be completely separated for future recyclability.

Are you a professional and your project needs consulting and support?

[BOOK AN APPOINTMENT](#)



Main specifications

EAN	8059607048269
Mounting	Suspension
Environments	Indoor dry location
Light Source Type	LED
LED type	Edge Lighting
Power (W)	45
System flux (lm)	1371

Physical

Colour	Nude
Length (mm)	1286
Cord length (mm)	2800
Canopy dimension (mm)	39
Canopy width (mm)	420
Canopy height (mm)	70
Net weight (kg)	7.14
Package height (mm)	0
Package width (mm)	0
Package length (mm)	0
Package volume (m3)	0.15
IP internal	20

Download

Mounting instructions [↓ PDF](#)

Photometric Files

LDT / IES [↓ LDT](#)

Technical Drawings

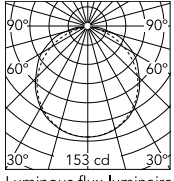
2D [↓ ZIP](#)

3D [↓ ZIP](#)

[🔒 Bim](#) [↓ ZIP](#)



Schematic light drawing



Beam Angle: 118°

h(m)	E(lx)	D(m)
1	153	3.36
2	38	6.71
3	17	10.07
4	10	13.42
5	6	16.78

Luminous flux luminaire
457 lm

Photometric

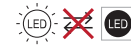
Lighting type	Direct
Light distribution	Symmetric
CCT (K)	2700
CRI>	95

Electrical

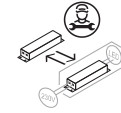
Insulation class	I
Frequency (Hz)	50/60
Main voltage (Vac)	220-240
LED voltage Vf (Vdc)	null
Driver	Integrated
Dimmable	Yes
Dimming type	Dimmable 0-10V, Dimmable Push, Dimmable 1-10V, Dimmable DALI 1
Dimming interface	Remote Dimmable (Dimmer Not Included)
Batteries inside	No

Ecodesign and Energy Labelling

This product contains a light source of energy efficiency class E

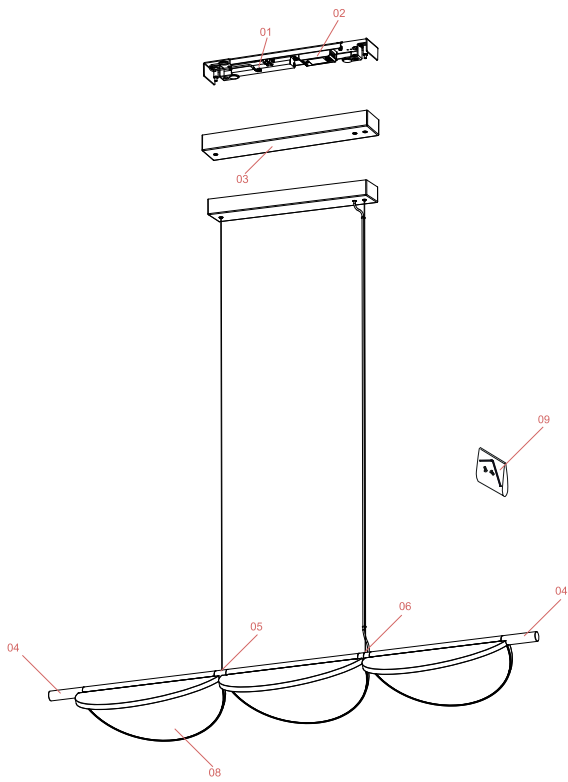


Non-replaceable light source

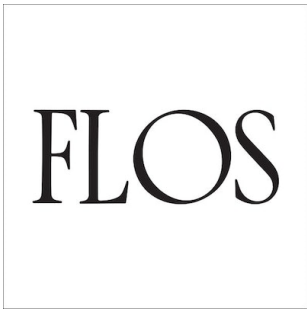


Replaceable control gear by a professional

Spare Parts

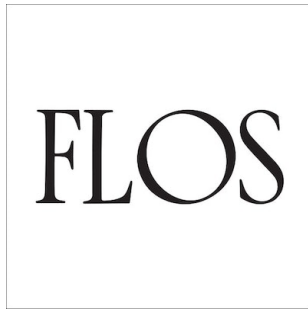


- | | | |
|-----|--|---------|
| 10. | Driver 96W 48V 220-240V | RF32405 |
| 20. | Assembly Almendra S Body
Nude | RF32516 |
| 30. | Assembly Almendra S Central
Feed Nude | RF32523 |
| 40. | Assembly Almendra S Wiring &
Connections Nude | RF32532 |
| 50. | Terminal Joint L90 Almendra Bay
Blue Metallized | RF32775 |



RF32405

Driver 96W 48V 220-240V



RF32516

Assembly Almendra S Body Nude



RF32523

Assembly Almendra S Central
Feed Nude



RF32532

Assembly Almendra S Wiring &
Connections Nude



RF32775

Terminal Joint L90 Almendra Bay
Blue Metallized