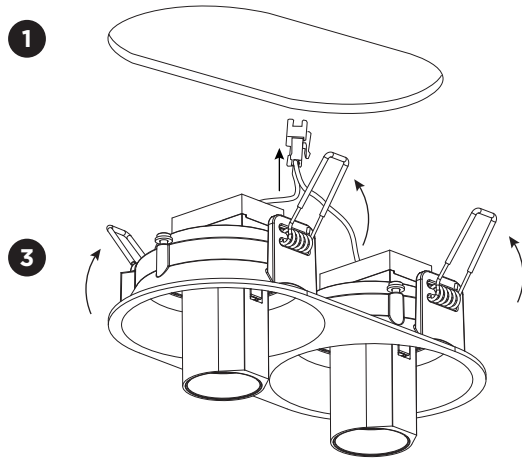
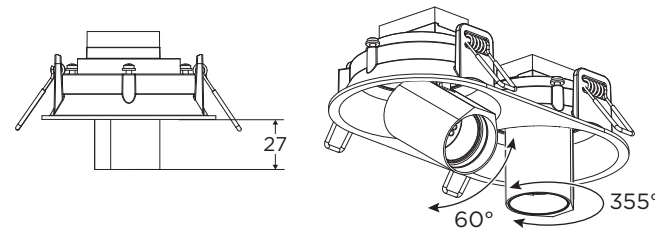
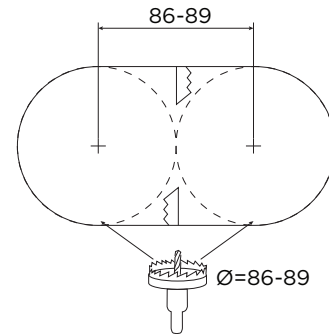


BLIEK ROUND petit 2.0

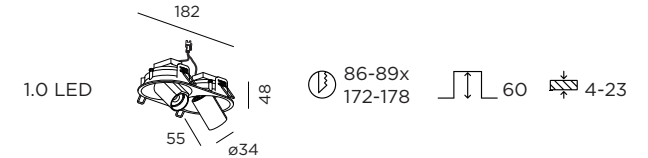
INSTALLATION INSTRUCTIONS | NOVEMBER 2022



HOLE DIMENSION

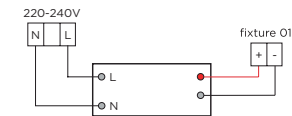


DIMENSIONS

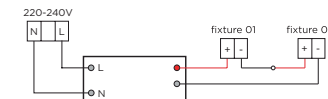


MOUNTING INSTRUCTION

- 1 Make a hole in the ceiling according to the prescribed dimensions.
- 2 **POWER CONNECTION**
Always use a driver according to the specifications of the LED module.



SERIAL CONNECTION



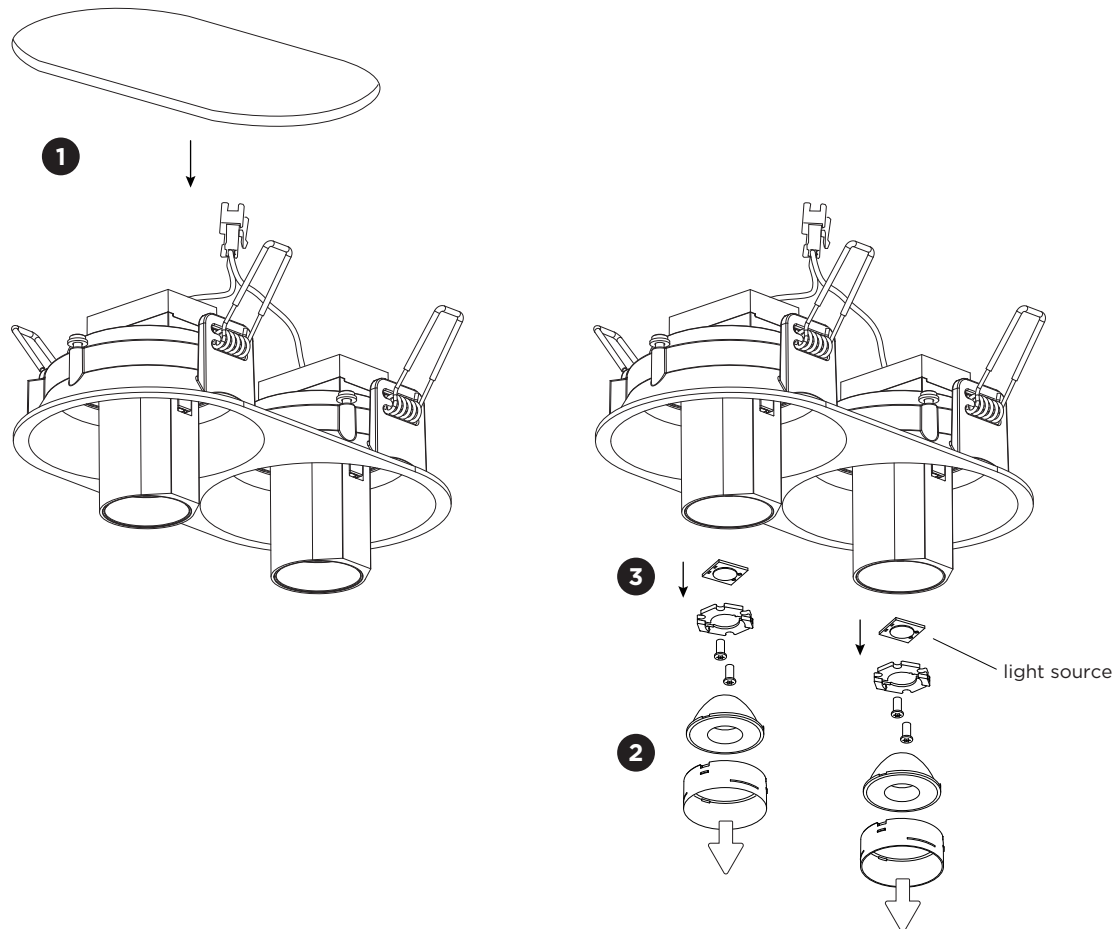
- 3 Push the springs upwards and insert the fixture in the ceiling hole.

Driver must be powered off before connecting cables.

Before connecting the luminaire/LED module to the driver please make sure the driver is not powered but disconnected from the mains. The driver can only be powered when the luminaire/LED module is already connected. Disregarding this instruction might damage or even destroy the luminaire/LED module.

BLIEK ROUND petit 2.0

INSTALLATION INSTRUCTIONS | NOVEMBER 2022



DISMOUNTING AND RECYCLING INSTRUCTIONS

Light source

- 1** Take the luminaire out of the ceiling hole and unplug the connector.
- 2** Dismount the lens holder and lens.
- 3** Unscrew the holder and loosen the wires to remove the light source.



The light source is replaceable by an authorized professional.
For advice contact your Wever & Ducré customer service contact point.



This luminaire contains a light source with the energy class E.