

FLOS

 F004Z070000 Deep Brown

Tree strap

Accessory for spot installation directly on three branch, from $\varnothing 30\text{mm}$ up to $\varnothing 100\text{mm}$.



Are you a professional and your project needs consulting and support?

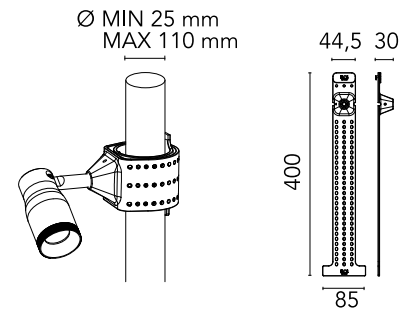
[BOOK AN APPOINTMENT](#)

Main specifications

Environments	Outdoor wet location
Iicos	No

Physical

Colour	Deep Brown
Net weight (kg)	0.07



Electrical

Emergency type	No
----------------	----