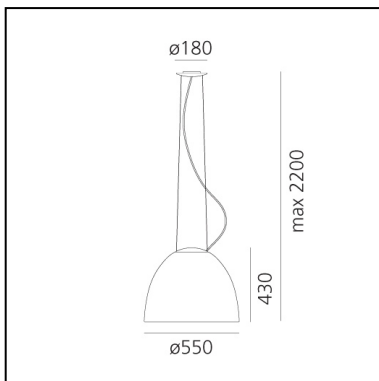


Nur Gloss LED - Suspension - Black - App Compatible

Ernesto Gismondi



IP20      Dimmerable: +  -



LUMINAIRE

- Power Supply: **Electronic**
- Watt: **45W**
- Voltage: **220V-240V**
- Delivered lumen output: **2006lm**
- CCT: **2700K**
- Efficiency: **56%**
- Efficacy: **44.58lm/W**
- CRI: **90**
- Dimmable Typology: **Push & APP**

Notes

A new perfectly smooth and polished finish gives elegance to the classic Nur model. All the versions are encased in a diffuser at the bottom.

DESCRIPTION

An extreme geometric synthesis of optics par excellence, Nur manifests its presence through a monolithic and mono-material body. The essential and geometrically calibrated lines of a perfect parabola conceal an optical heart that perfectly controls the emission, without offending direct vision. It ensures general ambient lighting thanks also to indirect emission. Artemide App Compatible.

FEATURES

- Product Code: **A243410APP**
- Colour: **Black**
- Installation: **Suspension**
- Material: **Aluminum, methacrylate, glass**
- Series: **Design Collection**
- Environment: **Indoor**
- Area contract: **Hospitality, Office, Residential**
- Emission: **Direct/indirect**
- design by: **Ernesto Gismondi**

DIMENSIONS

- Height: **430 mm**
- Diameter: **550 mm**
- Max Height from ceiling: **2200 mm**
- Glow Wire Test: **650°C**

SOURCES INCLUDED

- Category: **Led**
- Number: **1**
- Watt: **37W**
- Delivered lumen output: **3747lm**
- Color temperature (K): **2700K**
- CRI: **90**
- Color Tolerance: **MacAdam 2SDCM**
- Efficacy: **103lm/W**
- Service Life: **50000-L70**

Accessories

Device for switching and controlling Artemide App products. Max N.3 inputs for external push buttons. Max 1m distance. Mains power supply required. To be installed inside flush mounting boxes or junction boxes. DV1080APP